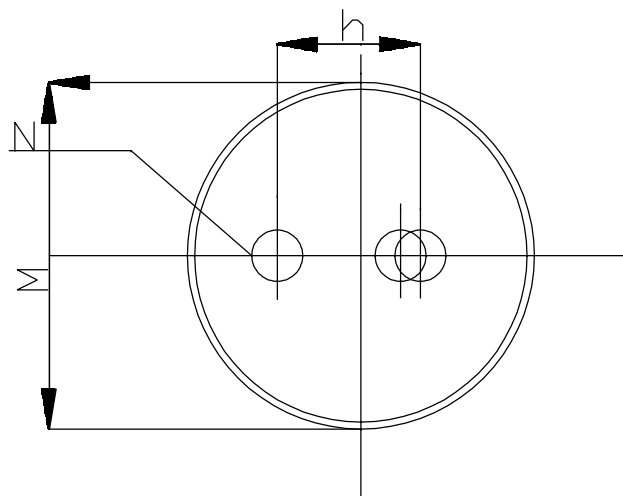


DIMENTIONS THE DRAWING ARE IN mm												
TYPE	CAPACITY	A	B	C	E	F	G	H	h	M	N	Ø
SLSTD12100325	LITRI 1.5	215	93	265	15	115	50	280	50	100	12	M8X20
SLSTD16100325	LITRI 1.5	215	93	265	15	115	50	280	50	100	16	M8X20
SLSTD16120320	LITRI 2.4	230	93	280	13	115	50	293	60	120	16	M8X20
SLSTD18120320	LITRI 2.4	230	93	280	13	115	50	293	60	120	18	M8X20
SLSTD16133420	LITRI 3	257	93	307	13	115	50	320	80	133	16	M8X20
SLSTD18133420	LITRI 3	257	93	307	13	115	50	320	80	133	18	M8X20
SLSTD22133420	LITRI 3	257	93	307	13	115	50	320	80	133	22	M8X20

ALL PRODUCTS ARE MARKED AND MADE ON DIRECTIVE 97/23 EC (PED Pressure equipment directive) CATEGORY NO.1

MAX WORKING PRESSURE: 32 bar

N.B.: The firm OCS reserves him to bring in any moment and without warning the changes that it will hold necessary



OCS PROPERTY DRAWINGS, THE IMPROPER USE IS BY LAW