

**ebm-papst Mulfingen GmbH & Co. KG**

Bachmühle 2 · D-74673 Mulfingen

Phone +49 7938 81-0

Fax +49 7938 81-110

info1@de.ebmpapst.com

www.ebmpapst.com

Limited partnership · Headquarters Mulfingen

County court Stuttgart · HRA 590344

General partner Elektrobau Mulfingen GmbH · Headquarters Mulfingen

County court Stuttgart · HRB 590142

**Nominal data**

|                               |                       |         |         |
|-------------------------------|-----------------------|---------|---------|
| <b>Type</b>                   | <b>S4E300-AS72-50</b> |         |         |
| <b>Motor</b>                  | <b>M4E068-CF</b>      |         |         |
| Phase                         |                       | 1~      | 1~      |
| Nominal voltage               | VAC                   | 230     | 230     |
| Frequency                     | Hz                    | 50      | 60      |
| Type of data definition       |                       | ml      | ml      |
| Valid for approval / standard |                       | CE      | CE      |
| Speed                         | min <sup>-1</sup>     | 1320    | 1500    |
| Power input                   | W                     | 72      | 90      |
| Current draw                  | A                     | 0.32    | 0.4     |
| Motor capacitor               | µF                    | 2       | 2       |
| Capacitor voltage             | VDB                   | 400     | 400     |
| Capacitor standard            |                       | P0 (CE) | P0 (CE) |
| Max. back pressure            | Pa                    | 60      | 60      |
| Min. ambient temperature      | °C                    | -25     | -25     |
| Max. ambient temperature      | °C                    | 50      | 50      |
| Starting current              | A                     | 0.6     | 0.57    |

ml = Max. load · me = Max. efficiency · fa = Running at free air · cs = Customer specs · cu = Customer unit  
Subject to alterations



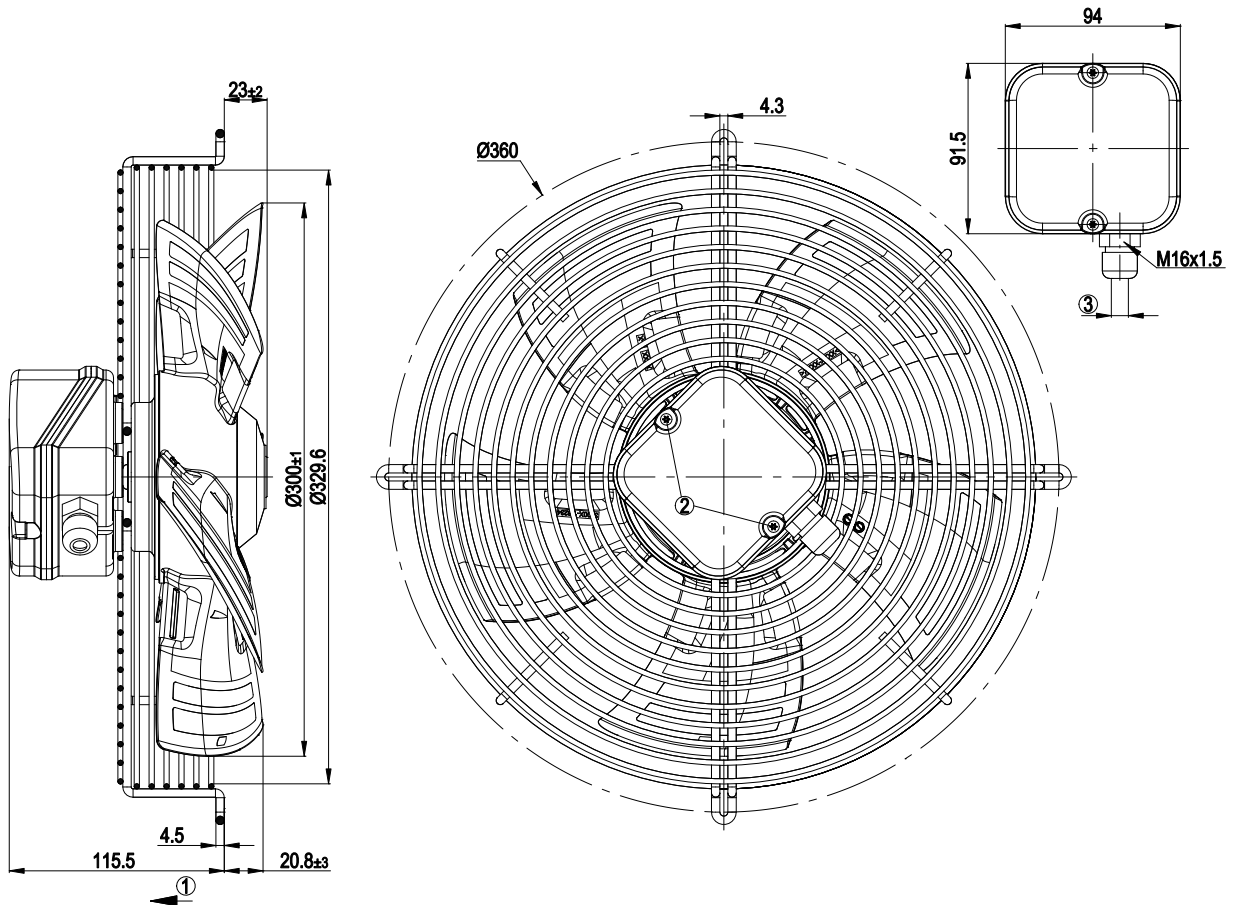
## Technical features

|   |   |
|---|---|
| <b>Mass</b>   | 2.84 kg   |
| <b>Size</b>   | 300 mm  |
| <b>Surface of rotor</b>   | Coated in black   |
| <b>Material of terminal box</b>   | ABS plastic, black  |
| <b>Material of blades</b>   | PP-GF40 plastic   |
| <b>Material of guard grille</b>   | Steel, phosphated and coated in black plastic                     |
| <b>Number of blades</b>   | 5   |
| <b>Direction of air flow</b>  | "V"   |
| <b>Direction of rotation</b>  | Counter-clockwise, seen on rotor                                  |
| <b>Type of protection</b>   | IP 44; Depending on installation and position                     |
| <b>Insulation class</b>   | "B"   |
| <b>Humidity class</b>   | F1-2  |
| <b>Max. permissible ambient motor temp. (transp./ storage)</b>            | + 80 °C   |
| <b>Min. permissible ambient motor temp. (transp./storage)</b>             | - 40 °C   |
| <b>Mounting position</b>  | Any   |
| <b>Condensate discharge holes</b>   | None  |
| <b>Operation mode</b>   | S1  |
| <b>Motor bearing</b>  | Ball bearing  |
| <b>Touch current acc. IEC 60990 (measuring network Fig. 4, TN system)</b> | < 0.75 mA   |
| <b>Electrical leads</b>   | Via terminal box, integrated capacitor connected via terminal box |
| <b>Motor protection</b>   | Thermal overload protector (TOP) wired internally                 |
| <b>Cable exit</b>   | Variable  |
| <b>Protection class</b>   | I (if protective earth is connected by customer)                  |
| <b>Product conforming to standard</b>                                     | EN 60335-1; CE  |
| <b>Approval</b>   | CCC; EAC  |

# AC axial fan - HyBlade®

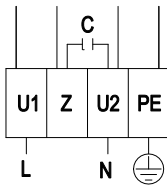
sickled blades (S series)  
with guard grille for short nozzle

## Product drawing



|   |                                   |
|---|-----------------------------------|
| 1 | Direction of air flow "V"         |
| 2 | Tightening torque 0.7 Nm ± 0.2 Nm |
| 3 | Cable diameter: max. 7.2 mm       |

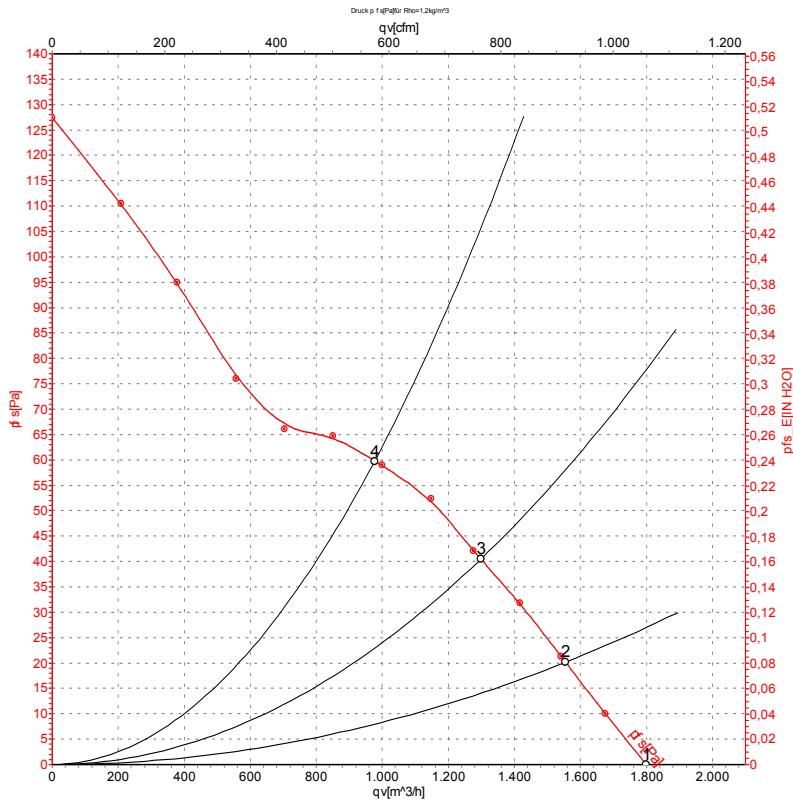
## Connection screen



|    |              |   |       |   |              |
|----|--------------|---|-------|---|--------------|
| L  | = U1 = blue  | Z | brown | N | = U2 = black |
| PE | green/yellow |   |       |   |              |



## Charts: Air flow 50 Hz



Air performance measured as per ISO 5801 Installation category A. For detailed information on the measuring set-up, please contact ebm-papst. Suction-side noise levels: L<sub>wA</sub> measured as per ISO 13347 / L<sub>pA</sub> measured with 1m distance to fan axis. The values given are valid under the measuring conditions mentioned above and may vary according to the actual installation situation. With any deviation from the standard set-up, the specific values have to be checked and reviewed with the unit installed.

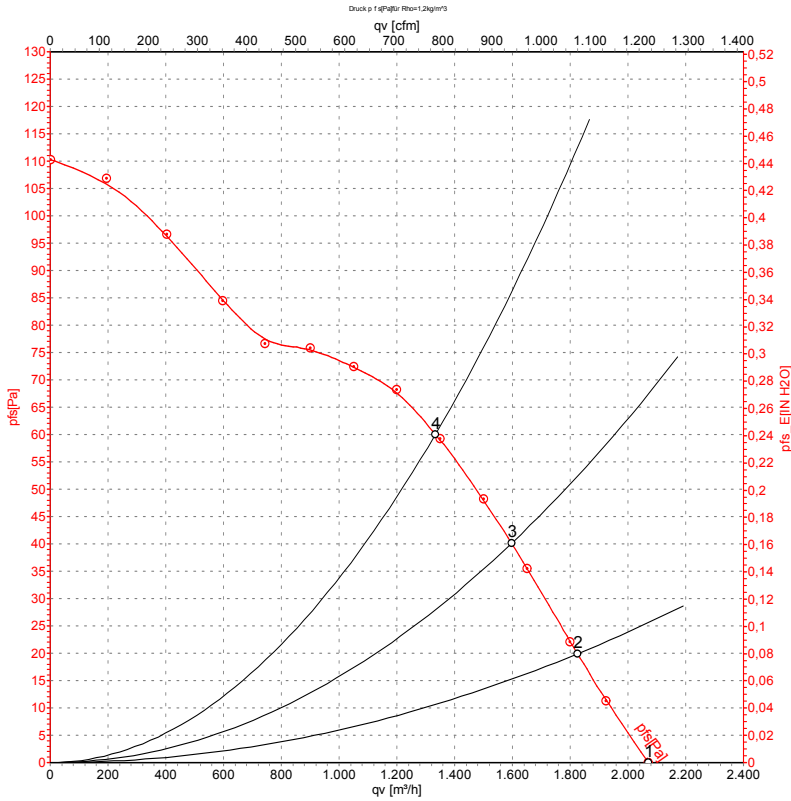
## Measured values

|   | U   | f  | n                 | P <sub>e</sub> | I    | L <sub>pA<sub>in</sub></sub> | L <sub>wA<sub>in</sub></sub> | qv                | p <sub>fs</sub> |
|---|-----|----|-------------------|----------------|------|------------------------------|------------------------------|-------------------|-----------------|
|   | V   | Hz | min <sup>-1</sup> | W              | A    | dB(A)                        | dB(A)                        | m <sup>3</sup> /h | Pa              |
| 1 | 230 | 50 | 1380              | 62             | 0.28 | 53                           | 60                           | 1800              | 0               |
| 2 | 230 | 50 | 1370              | 63             | 0.28 | 52                           | 59                           | 1555              | 20              |
| 3 | 230 | 50 | 1355              | 66             | 0.29 | 51                           | 58                           | 1300              | 40              |
| 4 | 230 | 50 | 1320              | 72             | 0.32 | 53                           | 61                           | 975               | 60              |

U = Supply voltage · f = Frequency · n = Speed · P<sub>e</sub> = Power input · I = Current draw · L<sub>pA<sub>in</sub></sub> = Sound pressure level inlet side · L<sub>wA<sub>in</sub></sub> = Sound power level inlet side · qv = Air flow  
 p<sub>fs</sub> = Pressure increase



## Charts: Air flow 60 Hz



Measurement: LU-112387

Air performance measured as per ISO 5801 Installation category A. For detailed information on the measuring set-up, please contact ebm-papst. Suction-side noise levels: L<sub>wA</sub> measured as per ISO 13347 / L<sub>pA</sub> measured with 1m distance to fan axis. The values given are valid under the measuring conditions mentioned above and may vary according to the actual installation situation. With any deviation from the standard set-up, the specific values have to be checked and reviewed with the unit installed.

## Measured values

|   | U   | f  | n                 | P <sub>e</sub> | I    | L <sub>pA<sub>in</sub></sub> | L <sub>wA<sub>in</sub></sub> | qv                | p <sub>fs</sub> |
|---|-----|----|-------------------|----------------|------|------------------------------|------------------------------|-------------------|-----------------|
|   | V   | Hz | min <sup>-1</sup> | W              | A    | dB(A)                        | dB(A)                        | m <sup>3</sup> /h | Pa              |
| 1 | 230 | 60 | 1590              | 80             | 0.36 | 56                           | 63                           | 2070              | 0               |
| 2 | 230 | 60 | 1560              | 83             | 0.36 | 55                           | 62                           | 1825              | 20              |
| 3 | 230 | 60 | 1535              | 86             | 0.37 | 55                           | 62                           | 1595              | 40              |
| 4 | 230 | 60 | 1500              | 90             | 0.40 | 55                           | 62                           | 1335              | 60              |

U = Supply voltage · f = Frequency · n = Speed · P<sub>e</sub> = Power input · I = Current draw · L<sub>pA<sub>in</sub></sub> = Sound pressure level inlet side · L<sub>wA<sub>in</sub></sub> = Sound power level inlet side · qv = Air flow  
 p<sub>fs</sub> = Pressure increase

