



HANDBOOK  
**SOLENOID VALVES**

---

Ed. 2017

 **Castel**<sup>®</sup>  
Italian technology

# NORMALLY-CLOSED SOLENOID VALVES

FOR REFRIGERATION PLANTS THAT USE HCFC, HFC OR HFO REFRIGERANTS



## APPLICATION

The solenoid valves illustrated in this chapter are designed for installation on commercial refrigeration systems and on civil and industrial air conditioning plants that use the following refrigerant fluids:

- HCFC (R22)
- HFC (R134a , R404A , R407C , R410A , R507)
- HFO and HFO/HFC mixtures (R1234ze , R448A , R449A , R450A , and R452A)

belonging to Group 2, as defined in Article 13, chapter 1, Point (b) of Directive 2014/68/EU, with reference to EC Regulation No. 1272/2008.

Furthermore, the same solenoid valves, up to DN 25, that is models 1078\*9, 1098/9, 1079/11 and 1099/11, can also be installed on systems using the following refrigeration fluids:

- HFC (R32)
- HFO (R1234yf)

classified as A2L in the ASHRAE 34-2013 standard, and belonging to Group 1, as defined in Article 13, chapter 1, Point (a) of Directive 2014/68/EU, with reference to EC Regulation No. 1272/2008.

For specific applications with refrigerant fluids not listed above, please contact Castel Technical Department.

## OPERATION

The coils listed in this chapter are normally closed (NC). This means that when the coil is not energised, the plunger closes the fluid passage. When the coil is energised, the plunger opens the valve seat connecting the inlet to the outlet.

All the above indicated valves are sold in the version without coil (with the S suffix), and in the version with coil series 9300, type HF2 - "FAST LOCK" (A6 suffix with coil 9300/RA6-220/230 VAC and A7 suffix with coil 9300/RA7 - 240 VAC).

The valves series 1020 and 1028 are direct acting valves. Their operation depends only on the magnetic field produced by the current flow into the coil. Opening/closing of main valve seat, the only seat, is directly controlled by the mobile plunger.

**These valves can work with zero pressure differential.**

The valves series 1064 ; 1068 ; 1070 ; 1078 (excluded /11 , /13 , and /M42) ; 1079 (excluded /13 , /M42 , and /17) ; 1090 ; 1098 (excluded /9) ; 1099 (excluded /11) are pilot-operated diaphragm solenoid valves. Their operation depends not only on the magnetic field produced by the current flow into the coil, but also on a minimum inlet pressure, which is necessary to:

- open the diaphragm and keep it lifted off the main opening
- close the diaphragm and ensure the tightness on the main opening

Opening/closing of main valve seat is controlled by the diaphragm while opening/closing of pilot seat is controlled by the mobile plunger of the coil.

**These valves cannot work with zero differential pressure.**

The valve series 1034 ; 1038 ; 1040 ; 1048 ; 1049 ; 1050 ; 1058 ; 1059 ; 1078 (/11 , /13 , /M42) ; 1079 (/13 , /M42 , /17) ; 1098/9 ; 1099/11 are piston pilot-operated valves. Their operation depends not only on the magnetic field produced by the current flow into the coil, but also on a minimum inlet pressure, which is necessary to:

- open the piston and keep it lifted off the main opening
- close the piston and ensure the tightness on the main opening

Opening/closing of main valve seat is controlled by the piston, while opening/closing of pilot seat is controlled by the mobile plunger of the coil.

**These valves cannot work with zero differential pressure.**

## CONSTRUCTION

The main parts that make up the solenoid valves presented in this chapter are constructed with the following materials:

- Hot forged brass EN 12420 – CW 617N for body and cover
- Copper tube EN 12735-1 – Cu-DHP for solder connections
- Austenitic stainless steel EN 10088-2 – 1.4303 for enclosure where the plunger moves
- Ferritic stainless steel EN 10088-3 – 1.4105 for the plunger
- Austenitic stainless steel EN ISO 3506 – A2-70 for tightening screws between body and cover.
- Chloroprene rubber (CR) for the outlet seal gaskets
- P.T.F.E. for seat gaskets

## INSTALLATION

All the valves in this chapter can be installed on the three main branches of a plant (hot gas line, liquid line, and suction line), while respecting the limits of use indicated in TABLES 1 and 2 and the capacities indicated in TABLE 4. TABLES 1 and 2 show the following functional characteristics of a solenoid valve:

- Connection dimensions
- PS: maximum allowable pressure of the refrigerant
- TS: maximum / minimum allowable temperature of the refrigerant
- TA: maximum / minimum allowable ambient temperature
- Kv: discharge factor
- minOPD: minimum Opening Pressure Differential. This is the minimum pressure differential between inlet and outlet at which a pilot-operated solenoid valve can

open and stay opened or close and maintain the seal.

- MOPD: maximum opening pressure differential according to AHRI STANDARD 760:2014. This is the maximum pressure differential between inlet and outlet at which a solenoid valve can open.

Before connecting the valve to the pipe, it is advisable to make sure that the refrigerating system is clean. In fact, valves with P.T.F.E. gaskets, and particularly piston valves, are sensitive to dirt and debris. Furthermore, check that the flow direction in the pipe corresponds to the arrow stamped on the valve body. All the valves can be mounted in any position so long as the coil does not point downwards. The brazing of valves with solder connections should be carried out with care, using a low melting point filler material. It is not necessary to disassemble the valves before brazing, but it is important to avoid direct contact between the torch flame and the valve body, which could be damaged and compromise the proper functioning of the valve.

Before connecting a valve to the electrical system, be sure that the line voltage and frequency correspond to the values marked on the coil.

## TRACEABILITY

Direct action valves in series 1020 and 1028 are identified by laser marking on the valve sleeve of the mobile plunger. This marking includes the following data: valve code, refrigerants, PS, TS, and production lot.

The pilot-operated diaphragm and piston valves, series 1034, 1038, 1040, 1048, 1049, 1050, 1058, 1059, 1064, 1068, 1070, 1078, 1079, 1090, 1098, and 1099 are identified by a plastic label fit on the valve sleeve of the mobile plunger (under the coil when indicated). This label includes the following data: valve code, refrigerants, PS, TS, and production lot.

**TABLE 1: General characteristics of NC valves with SAE Flare connections**

Operating Principles	Catalogue Number	SAE Flare Connections	Seat size nominal $\varnothing$ [mm]	Kv Factor [m <sup>3</sup> /h]	Opening Pressure Differential [bar]				PS [bar]	TS [°C]		TA [°C]		Risk Category according to PED Recast	
					min OPD	MOPD				min.	max.	min. (3)	max.		
						coil series									
						9100 9110 9300 (AC)	9160 (AC)	9120 9320 (AC)							9120 9320 (DC)
Direct Acting	1020/2#	1/4"	2,5	0,175	0	21	28	35	21	45	-35	+110 (2)	-35	+50	Art. 4.3
	1020/3#	3/8"	3	0,23											
Diaphragm Pilot Operated	1064/3#	3/8"	6,5	0,80	0,05	21	28	35	18	45	-35	+105 (1)	-35	+50	Art. 4.3
	1064/4#	1/2"													
	1070/4#	1/2"	2,20												
	1070/5#	5/8"	2,61												
	1090/5#	5/8"	16,5	3,80											
	1090/6#	3/4"		4,80											
Piston Pilot Operated	1034/3#	3/8"	6,5	1,00	0,05	21	28	35	18	45	-35	+110 (2)	-35	+50	Art. 4.3
	1034/4#	1/2"													
	1040/4#	1/2"	2,40												
	1040/5#	5/8"	3,00												
	1050/5#	5/8"	16,5	3,80											
	1050/6#	3/4"		4,80											

# = S , A6 , A7

(1) Temperature peaks of 120 °C are allowed during defrosting

(2) Temperature peaks of 130 °C are allowed during defrosting

(3) Check TA<sub>min</sub> of the chosen coil

**TABLE 2: General characteristics of NC valves with ODS connections**

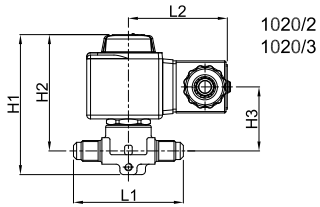
Operating Principles	Catalogue Number	Connections ODS		Seat size nominal Ø [mm]	Kv Factor [m³/h]	Opening Pressure Differential [bar]				PS [bar]	TS [°C]		TA [°C]		Risk Category according to PED Recast		
		Ø [in.]	Ø [mm]			min OPD	MOPD				min.	max.	min. (3)	max.			
							coil series										
							9100 9110 9300 (AC)	9160 (AC)	9120 9320 (AC)							9120 9320 (DC)	
Direct Acting	1028/2#	1/4"	–	2,2	0,15	0	21	28	35	21	45	– 35	+110 (2)	– 35	+50	Art. 4.3	
	1028/2#.E	1/4"	–	3	0,23												
	1028/3#	3/8"	–														
	1028/M10#	–	10														
Diaphragm Pilot Operated	1068/3#	3/8"	–	6,5	0,80	0,05	21	28	35	18	45	– 35	+105 (1)	– 35	+50	Art. 4.3	
	1068/M10#	–	10														
	1068/M12#	–	12														
	1068/4#	1/2"	–														
	1078/M12#	–	12	12,5	2,20					13							
	1078/4#	1/2"	–														
	1078/5#	5/8"	16	16,5	2,61					10							
	1079/7#	7/8"	22														
	1098/5#	5/8"	16														3,80
	1098/6#	3/4"	–														
	1098/7#	7/8"	22	5,70													
	1099/9#	1.1/8"	–		25,5					10							13
	1078/9#	1.1/8"	–														
1079/11#	1.3/8"	35															
Piston Pilot Operated	1038/3#	3/8"	–	6,5	1,00	0,05	21	28	35	18	45	– 35	+110 (2)	– 35	+50	Art. 4.3	
	1038/M10#	–	10														
	1038/M12#	–	12														
	1038/4#	1/2"	–														
	1048/M12#	–	12	12,5	2,40					18							
	1048/4#	1/2"	–														
	1048/5#	5/8"	16														3,00
	1049/7#	7/8"	22														
	1058/5#	5/8"	16	16,5	3,80					16							
	1058/6#	3/4"	–														4,80
	1058/7#	7/8"	22														
	1059/9#	1.1/8"	–														25,5
	1098/9#	1.1/8"	–														
	1099/11#	1.3/8"	35														
	1078/11#	1.3/8"	35	27	16					18							
	1079/13#	1.5/8"	–														
	1079/M42#	–	42														
1078/13#	1.5/8"	–	34	25	0,15												
1078/M42#	–	42															
1079/17#	2.1/8"	54															

# = S , A6 , A7

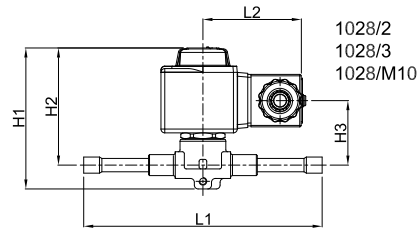
(1) Temperature peaks of 120 °C are allowed during defrosting

(2) Temperature peaks of 130 °C are allowed during defrosting

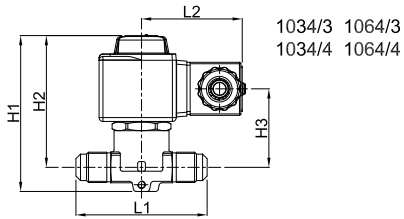
 (3) Check TA<sub>min</sub> of the chosen coil



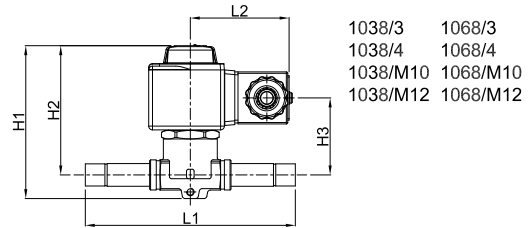
1020/2  
1020/3



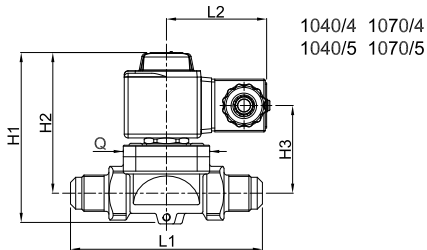
1028/2  
1028/3  
1028/M10



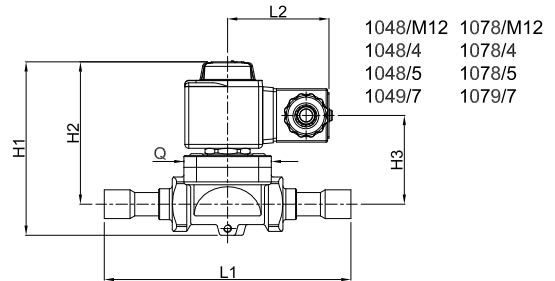
1034/3 1064/3  
1034/4 1064/4



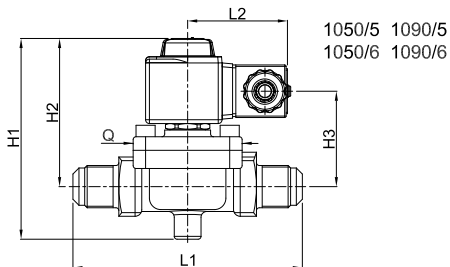
1038/3 1068/3  
1038/4 1068/4  
1038/M10 1068/M10  
1038/M12 1068/M12



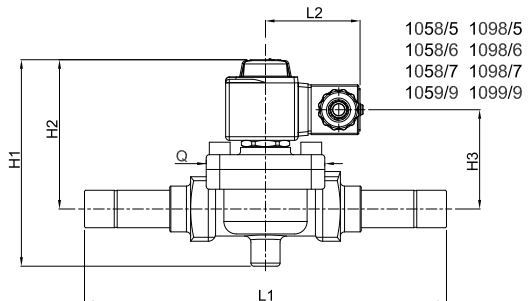
1040/4 1070/4  
1040/5 1070/5



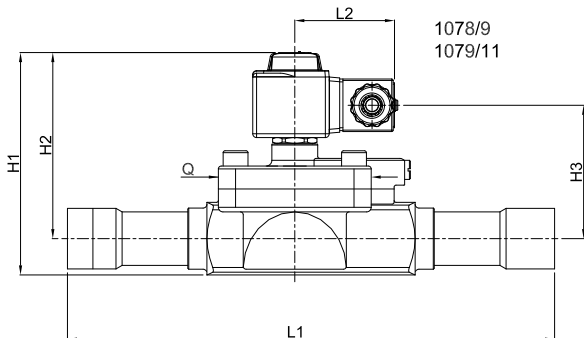
1048/M12 1078/M12  
1048/4 1078/4  
1048/5 1078/5  
1049/7 1079/7



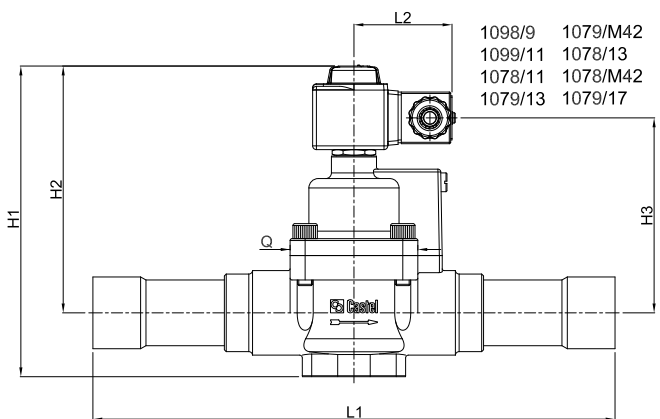
1050/5 1090/5  
1050/6 1090/6



1058/5 1098/5  
1058/6 1098/6  
1058/7 1098/7  
1059/9 1099/9



1078/9  
1079/11



1098/9 1079/M42  
1099/11 1078/13  
1078/11 1078/M42  
1079/13 1079/17

TABLE 3: Dimensions and weights of NC valves with 9300 coils (1)

Operating Principles	Catalogue Number	Dimensions [mm]						Weight [g]
		H <sub>1</sub>	H <sub>2</sub>	H <sub>3</sub>	L <sub>1</sub>	L <sub>2</sub>	Q	
Direct Acting	1020/2#	75	62,5	34	58	52	-	340
	1020/3#				65			355
	1028/2#				125			350
	1028/2#.E				125			350
	1028/3#				125			365
	1028/M10#				125			365
Diaphragm Pilot Operated	1064/3#	82	69,5	40	68	52	-	400
	1064/4#				72			415
	1068/3#				111			400
	1068/M10#				111			395
	1068/M12#				127			420
	1068/4#				127			420
	1070/4#	91	75	47	100		45	710
	1070/5#				106			755
	1078/M12#				127			690
	1078/4#				127			680
	1078/5#				175			775
	1079/7#				190			765
	1090/5#	106	78	50	120		57	1035
	1090/6#				124			1365
	1098/5#				175			995
	1098/6#				175			1185
	1098/7#				180			1170
	1099/9#				216			1225
	1078/9#	115	96	72	250		80	2565
	1079/11#				292			2620
Piston Pilot Operated	1034/3#	92,5	80	50,5	68	52	-	440
	1034/4#				72			457
	1038/3#				111			440
	1038/M10#				111			435
	1038/M12#				127			462
	1038/4#				127			462
	1040/4#	100,5	84,5	56,5	100		45	781
	1040/5#				106			831
	1048/M12#				127			759
	1048/4#				127			748
	1048/5#				175			853
	1049/7#				190			842
	1050/5#	121	93	65	120		57	1157
	1050/6#				124			1487
	1058/5#				175			1117
	1058/6#				175			1307
	1058/7#				180			1292
	1059/9#				216			1347
	1098/9#	157	127	99	235		60	2050
	1099/11#				277			2130
	1078/11#	175	141	113	278		68	2710
	1079/13#							2750
	1079/M42#							2750
	1078/13#	190	153	125	280		88	3810
1078/M42#	3810							
1079/17#	3880							

# = S , A6 , A7

(1) : With coil 9320 the dimension L<sub>2</sub> is equal to 65 mm and the weights must be increased of 500 g.

Connectors are not included in the boxes and have to be ordered separately

**TABLE 4: Refrigerant flow capacity of NC valves [kW]**

Operating Principles	Catalogue Number	Liquid line												
		R134a	R22	R32	R404A	R407C	R410A	R507	R1234yf	R1234ze	R448A	R449A	R450A	R452A
Direct Acting	1020/2#	2,98	3,20	4,40	2,08	3,02	3,00	2,01	2,20	2,63	2,74	2,75	2,78	2,12
	1020/3#	3,91	4,21	5,78	2,74	3,96	3,95	2,65	2,89	3,46	3,60	3,62	3,66	2,79
	1028/2#	2,55	2,75	3,77	1,79	2,58	2,58	1,73	1,89	2,26	2,35	2,36	2,39	1,82
	1028/2#.E	3,91	4,21	5,78	2,74	3,96	3,95	2,65	2,89	3,46	3,60	3,62	3,66	2,79
	1028/3#													
	1028/M10#													
1028/M12#														
Diaphragm Pilot Operated	1064/3#	13,6	14,6	20,1	9,5	13,8	13,7	9,2	10,1	12,0	12,5	12,6	12,7	9,7
	1064/4#													
	1068/3#													
	1068/M10#													
	1068/M12#													
	1068/4#													
	1070/4#	37,4	40,3	55,3	26,2	37,9	37,8	25,3	27,7	33,1	34,4	34,6	35,0	26,7
	1070/5#	44,4	47,8	65,6	31,1	45,0	44,8	30,0	32,8	39,3	40,8	41,0	41,5	31,7
	1078/M12#	37,4	40,3	55,3	26,2	37,9	37,8	25,3	27,7	33,1	34,4	34,6	35,0	26,7
	1078/4#													
	1078/5#	44,4	47,8	65,6	31,1	45,0	44,8	30,0	32,8	39,3	40,8	41,0	41,5	31,7
	1079/7#													
	1090/5#	64,6	69,5	95,5	45,2	65,5	65,2	43,7	47,8	57,2	59,5	59,7	60,5	46,1
	1090/6#	81,6	87,8	120,6	57,1	82,7	82,4	55,2	60,4	72,2	75,1	75,5	76,4	58,2
	1098/5#	64,6	69,5	95,5	45,2	65,5	65,2	43,7	47,8	57,2	59,5	59,7	60,5	46,1
	1098/6#	81,6	87,8	120,6	57,1	82,7	82,4	55,2	60,4	72,2	75,1	75,5	76,4	58,2
	1098/7#	96,9	104,3	143,2	67,8	98,2	97,9	65,6	71,7	85,7	89,2	89,6	90,7	69,1
	1099/9#													
	1078/9#	170,0	183,0	251,3	119,0	172,3	171,7	115,0	125,8	150,4	156,5	157,2	159,1	121,3
	1079/11#													
Piston Pilot Operated	1034/3#	17,0	18,3	25,1	11,9	17,2	17,2	11,5	12,6	15,0	15,7	15,7	15,9	12,1
	1034/4#													
	1038/3#													
	1038/M10#													
	1038/M12#													
	1038/4#													
	1040/4#	40,8	43,9	60,3	28,6	41,4	41,2	27,6	30,2	36,1	37,6	37,7	38,2	29,1
	1040/5#	51,0	54,9	75,4	35,7	51,7	51,5	34,5	37,7	45,1	47,0	47,2	47,7	36,4
	1048/M12#	40,8	43,9	60,3	28,6	41,4	41,2	27,6	30,2	36,1	37,6	37,7	38,2	29,1
	1048/4#													
	1048/5#	51,0	54,9	75,4	35,7	51,7	51,5	34,5	37,7	45,1	47,0	47,2	47,7	36,4
	1049/7#													
	1050/5#	64,6	69,5	95,5	45,2	65,5	65,2	43,7	47,8	57,2	59,5	59,7	60,5	46,1
	1050/6#	81,6	87,8	120,6	57,1	82,7	82,4	55,2	60,4	72,2	75,1	75,5	76,4	58,2
	1058/5#	64,6	69,5	95,5	45,2	65,5	65,2	43,7	47,8	57,2	59,5	59,7	60,5	46,1
	1058/6#	81,6	87,8	120,6	57,1	82,7	82,4	55,2	60,4	72,2	75,1	75,5	76,4	58,2
	1058/7#	96,9	104,3	143,2	67,8	98,2	97,9	65,6	71,7	85,7	89,2	89,6	90,7	69,1
	1059/9#													
	1098/9#	170,0	183,0	251,3	119,0	172,3	171,7	115,0	125,8	150,4	156,5	157,2	159,1	121,3
	1099/11#													
1078/11#	272,0	292,8	-	190,4	275,7	274,7	184,0	-	240,6	250,4	251,5	254,6	194,1	
1079/13#														
1079/M42#														
1078/13#	425,0	457,5	-	297,5	430,8	429,3	287,5	-	376,0	391,3	393,0	397,8	303,3	
1078/M42#														
1079/17#														

# = S , A6 , A7

Continued

Standard rating conditions according to AHRI Standard 760-2007

Condensing temperature	110 °F	(43,3 °C)	Temperature leaving evaporator	50 °F	(9,9 °C)
Liquid temperature	100 °F	(37,8 °C)	Evaporator superheating	10 °R	(5,5 °K)
Subcooling	10 °R	(5,5 °K)	Suction line temperature	65 °F	(18,3 °C)
Evaporating temperature	40 °F	(4,4 °C)	Suction superheating	15 °R	(8,4 °K)
			Discharge temperature	160 °F	(71,1 °C)



**TABLE 4: Refrigerant flow capacity of NC valves [kW]**

Operating Principles	Catalogue Number	Suction line												
		R134a	R22	R32	R404A	R407C	R410A	R507	R1234yf	R1234ze	R448A	R449A	R450A	R452A
Direct Acting	1020/2#	-	-	-	-	-	-	-	-	-	-	-	-	-
	1020/3#													
	1028/2#													
	1028/2#.E													
	1028/3#													
	1028/M10#													
Diaphragm Pilot Operated	1064/3#	1,46	2,04	3,40	1,76	1,82	2,64	1,78	1,18	1,14	1,92	1,76	1,27	1,69
	1064/4#													
	1068/3#													
	1068/M10#													
	1068/M12#													
	1068/4#													
	1070/4#	4,00	5,61	9,35	4,84	4,99	7,26	4,91	3,23	3,12	5,28	4,84	3,50	4,64
	1070/5#	4,75	6,66	11,09	5,74	5,92	8,61	5,82	3,84	3,71	6,26	5,74	4,15	5,51
	1078/M12#	4,00	5,61	9,35	4,84	4,99	7,26	4,91	3,23	3,12	5,28	4,84	3,50	4,64
	1078/4#													
	1078/5#	4,75	6,66	11,09	5,74	5,92	8,61	5,82	3,84	3,71	6,26	5,74	4,15	5,51
	1079/7#	6,9	9,7	16,2	8,4	8,6	12,5	8,5	5,6	5,4	9,1	8,4	6,0	8,0
	1090/5#													
	1090/6#													
	1090/6#	8,7	12,2	20,4	10,6	10,9	15,8	10,7	7,1	6,8	11,5	10,6	7,6	10,1
	1098/5#	6,9	9,7	16,2	8,4	8,6	12,5	8,5	5,6	5,4	9,1	8,4	6,0	8,0
	1098/6#													
	1098/6#	8,7	12,2	20,4	10,6	10,9	15,8	10,7	7,1	6,8	11,5	10,6	7,6	10,1
	1098/7#	10,4	14,5	24,2	12,5	12,9	18,8	12,7	8,4	8,1	13,7	12,5	9,1	12,0
1099/9#														
1078/9#	18,2	25,5	42,5	22,0	22,7	33,0	22,3	14,7	14,2	24,0	22,0	15,9	21,1	
1079/11#	1,82	2,55	4,25	2,20	2,27	3,30	2,23	1,47	1,42	2,40	2,20	1,59	2,11	
1034/3#														
1034/4#														
1038/3#														
1038/M10#														
1038/M12#														
1038/4#														
1040/4#	4,37	6,12	10,20	5,28	5,45	7,92	5,35	3,53	3,41	5,76	5,28	3,82	5,06	
1040/5#	5,46	7,65	12,75	6,60	6,81	9,90	6,69	4,41	4,26	7,20	6,60	4,77	6,33	
1048/M12#	4,37	6,12	10,20	5,28	5,45	7,92	5,35	3,53	3,41	5,76	5,28	3,82	5,06	
1048/4#														
1048/5#	5,46	7,65	12,75	6,60	6,81	9,90	6,69	4,41	4,26	7,20	6,60	4,77	6,33	
1049/7#	6,9	9,7	16,2	8,4	8,6	12,5	8,5	5,6	5,4	9,1	8,4	6,0	8,0	
1050/5#														
1050/6#														
1050/6#	8,7	12,2	20,4	10,6	10,9	15,8	10,7	7,1	6,8	11,5	10,6	7,6	10,1	
1058/5#	6,9	9,7	16,2	8,4	8,6	12,5	8,5	5,6	5,4	9,1	8,4	6,0	8,0	
1058/6#														
1058/6#	8,7	12,2	20,4	10,6	10,9	15,8	10,7	7,1	6,8	11,5	10,6	7,6	10,1	
1058/7#	10,4	14,5	24,2	12,5	12,9	18,8	12,7	8,4	8,1	13,7	12,5	9,1	12,0	
1059/9#														
1098/9#	18,2	25,5	42,5	22,0	22,7	33,0	22,3	14,7	14,2	24,0	22,0	15,9	21,1	
1099/11#	29,1	40,8	-	35,2	36,3	52,8	35,7	-	22,7	38,4	35,2	25,4	33,8	
1078/11#														
1079/13#														
1079/M42#	45,5	63,8	-	55,0	56,8	82,5	55,8	-	35,5	60,0	55,0	39,8	52,8	
1078/13#														
1078/M42#														
1079/17#														

# = S , A6 , A7

Continued

Standard rating conditions according to AHRI Standard 760-2007

Condensing temperature	110 °F	(43,3 °C)	Temperature leaving evaporator	50 °F	(9,9 °C)
Liquid temperature	100 °F	(37,8 °C)	Evaporator superheating	10 °R	(5,5 °K)
Subcooling	10 °R	(5,5 °K)	Suction line temperature	65 °F	(18,3 °C)
Evaporating temperature	40 °F	(4,4 °C)	Suction superheating	15 °R	(8,4 °K)
			Discharge temperature	160 °F	(71,1 °C)

**TABLE 4: Refrigerant flow capacity of NC valves [kW]**

Operating Principles	Catalogue Number	Hot Gas line												
		R134a	R22	R32	R404A	R407C	R410A	R507	R1234yf	R1234ze	R448A	R449A	R450A	R452A
Direct Acting	1020/2#	1,49	1,96	3,18	1,68	2,08	2,38	1,67	1,16	1,20	2,07	1,89	1,34	1,75
	1020/3#	1,96	2,58	4,18	2,21	2,74	3,13	2,19	1,53	1,58	2,71	2,48	1,76	2,30
	1028/2#	1,28	1,68	2,72	1,44	1,79	2,04	1,43	1,00	1,03	1,77	1,62	1,15	1,50
	1028/2#.E	1,96	2,58	4,18	2,21	2,74	3,13	2,19	1,53	1,58	2,71	2,48	1,76	2,30
	1028/3#													
	1028/M10#													
1028/M12#														
Diaphragm Pilot Operated	1064/3#	6,8	9,0	14,5	7,7	9,5	10,9	7,6	5,3	5,5	9,4	8,6	6,1	8,0
	1064/4#													
	1068/3#													
	1068/M10#													
	1068/M12#													
	1068/4#													
	1070/4#	18,7	24,6	40,0	21,1	26,2	29,9	21,0	14,6	15,1	26,0	23,7	16,8	22,0
	1070/5#	22,2	29,2	47,4	25,1	31,1	35,5	24,9	17,3	17,9	30,8	28,1	20,0	26,0
	1078/M12#	18,7	24,6	40,0	21,1	26,2	29,9	21,0	14,6	15,1	26,0	23,7	16,8	22,0
	1078/4#													
	1078/5#	22,2	29,2	47,4	25,1	31,1	35,5	24,9	17,3	17,9	30,8	28,1	20,0	26,0
	1079/7#													
	1090/5#	32,3	42,6	69,0	36,5	45,2	51,7	36,3	25,2	26,0	44,8	41,0	29,1	37,9
	1090/6#	40,8	53,8	87,2	46,1	57,1	65,3	45,8	31,9	32,9	56,6	51,7	36,7	47,9
	1098/5#	32,3	42,6	69,0	36,5	45,2	51,7	36,3	25,2	26,0	44,8	41,0	29,1	37,9
	1098/6#	40,8	53,8	87,2	46,1	57,1	65,3	45,8	31,9	32,9	56,6	51,7	36,7	47,9
	1098/7#	48,5	63,8	103,5	54,7	67,8	77,5	54,4	37,8	39,0	67,3	61,4	43,6	56,9
	1099/9#													
	1078/9#	85,0	112,0	181,6	96,0	119,0	136,0	95,4	66,4	68,5	118,0	107,8	76,5	99,8
	1079/11#													
Piston Pilot Operated	1034/3#	8,5	11,2	18,2	9,6	11,9	13,6	9,5	6,6	6,9	11,8	10,8	7,7	10,0
	1034/4#													
	1038/3#													
	1038/M10#													
	1038/M12#													
	1038/4#													
	1040/4#	20,4	26,9	43,6	23,0	28,6	32,6	22,9	15,9	16,4	28,3	25,9	18,4	24,0
	1040/5#	25,5	33,6	54,5	28,8	35,7	40,8	28,6	19,9	20,6	35,4	32,3	23,0	29,9
	1048/M12#	20,4	26,9	43,6	23,0	28,6	32,6	22,9	15,9	16,4	28,3	25,9	18,4	24,0
	1048/4#													
	1048/5#	25,5	33,6	54,5	28,8	35,7	40,8	28,6	19,9	20,6	35,4	32,3	23,0	29,9
	1049/7#													
	1050/5#	32,3	42,6	69,0	36,5	45,2	51,7	36,3	25,2	26,0	44,8	41,0	29,1	37,9
	1050/6#	40,8	53,8	87,2	46,1	57,1	65,3	45,8	31,9	32,9	56,6	51,7	36,7	47,9
	1058/5#	32,3	42,6	69,0	36,5	45,2	51,7	36,3	25,2	26,0	44,8	41,0	29,1	37,9
	1058/6#	40,8	53,8	87,2	46,1	57,1	65,3	45,8	31,9	32,9	56,6	51,7	36,7	47,9
	1058/7#	48,5	63,8	103,5	54,7	67,8	77,5	54,4	37,8	39,0	67,3	61,4	43,6	56,9
	1059/9#													
	1098/9#	85,0	112,0	181,6	96,0	119,0	136,0	95,4	66,4	68,5	118,0	107,8	76,5	99,8
	1099/11#													
1078/11#	136,0	179,2	-	153,6	190,4	217,6	152,6	-	109,6	188,8	172,5	122,4	159,7	
1079/13#														
1079/M42#														
1078/13#	212,5	280,0	-	240,0	297,5	340,0	238,5	-	171,3	295,0	269,5	191,3	249,5	
1078/M42#														
1079/17#														

# = S , A6 , A7

Standard rating conditions according to AHRI Standard 760-2007

Condensing temperature	110 °F	(43,3 °C)	Temperature leaving evaporator	50 °F	(9,9 °C)
Liquid temperature	100 °F	(37,8 °C)	Evaporator superheating	10 °R	(5,5 °K)
Subcooling	10 °R	(5,5 °K)	Suction line temperature	65 °F	(18,3 °C)
Evaporating temperature	40 °F	(4,4 °C)	Suction superheating	15 °R	(8,4 °K)
			Discharge temperature	160 °F	(71,1 °C)

# CHAPTER 2

## HIGH-TEMPERATURE NORMALLY-CLOSED SOLENOID VALVES

### FOR REFRIGERATION PLANTS THAT USE HFC OR HFO REFRIGERANTS



#### APPLICATION

The solenoid valves illustrated in this chapter have been developed by Castel for all those commercial, civil and industrial air conditioning refrigeration applications that **require higher temperature operation**. They can be installed on systems that use the following refrigerant fluids:

- HFC (R134a , R404A , R407C , R410A , R507)
- HFO and HFO/HFC mixtures (R1234ze , R448A , R449A , R450A , and R452A)

belonging to Group 2, as defined in Article 13, chapter 1, Point (b) of Directive 2014/68/EU, with reference to EC Regulation No. 1272/2008.

Furthermore, the same solenoid valves, up to DN 25, that is models; 1078N/9, 1098N/9, 1079N/11, and 1099N/11, can also be installed on systems using the following refrigeration fluids:

- HFC (R32)
- HFO (R1234yf)
- HC (R290 , R600 , R600a)

belonging to Group 1, as defined in Article 13, chapter 1, Point (a) of Directive 2014/68/EU, with reference to EC Regulation No. 1272/2008 (see chapter 5 for more information on the use of HC refrigerant fluids).

For specific applications with refrigerant fluids not listed above, please contact Castel Technical Department.

**CAUTION! The solenoid valves in this chapter cannot be installed on systems that use HCFC (R22) refrigerants or other refrigerants blended with mineral oils or alkylbenzene oils.**

#### OPERATION

The valves listed in this chapter are normally closed valves (NC). This means that when the coil is not energised, the

plunger closes the fluid flow. When the coil is energised, the plunger opens the valve seat connecting the inlet to the outlet.

All the above indicated valves are sold in the version without coil (with the S suffix), and in the version with series 9300, type HF2 - "FAST LOCK" coils (A6 suffix with coil 9300/RA6-220/230 VAC).

The valves series 1020N and 1028N are direct acting valves. Their operation depends only on the magnetic field produced by the current flow into the coil. Opening/closing of main valve seat, the only seat, is directly controlled by the mobile plunger.

**These valves can work with zero pressure differential.**

The valves series 1064N ; 1068N ; 1070N ; 1078N (excluded /11 , /13 , and /M42) ; 1079N (excluded /13 , /M42 , and /17) ; 1090N ; 1098N (excluded /9) ; 1099N (excluded /11) are pilot-operated diaphragm solenoid valves. Their operation depends not only on the magnetic field produced by the current flow into the coil, but also on a minimum inlet pressure, which is necessary to:

- open the diaphragm and keep it lifted off the main opening
- close the diaphragm and ensure the tightness on the main opening

Opening/closing of main valve seat is controlled by the diaphragm while opening/closing of pilot seat is controlled by the mobile plunger of the coil.

**These valves cannot work with zero differential pressure.**

The valve series 1034N ; 1038N ; 1040N ; 1048N ; 1049N ; 1050N ; 1058N ; 1059N ; 1078N (/11 , /13 , and /M42);

1079N (/13 , /M42 , and /17); 1098N/9 ; 1099N/11 are pilot-operated piston valves. Their operation depends not only on the magnetic field produced by the current flow into the coil, but also on a minimum inlet pressure, which is necessary to:

- open the piston and keep it lifted off the main opening
- close the piston and ensure the tightness on the main opening

Opening/closing of main valve seat is controlled by the piston, while opening/closing of pilot seat is controlled by the mobile plunger of the coil.

**These valves cannot work with zero differential pressure.**

## CONSTRUCTION

The main parts of the solenoid valves described in this chapter are constructed with the following materials:

- Hot forged brass EN 12420 – CW 617N for body and cover
- Copper tube EN 12735-1 – Cu-DHP for solder connections
- Austenitic stainless steel EN 10088-2 – 1.4303 for enclosure where the plunger moves
- Ferritic stainless steel EN 10088-3 – 1.4105 for the plunger
- Austenitic stainless steel EN ISO 3506 – A2-70 for tightening screws between body and cover.
- Hydrogenated nitrile butadiene rubber (HNBR) for outlet seal gaskets
- P.T.F.E. for seat gaskets

## INSTALLATION

All the valves in this chapter can be installed on the three main branches of a plant (hot gas line, liquid line, and suction line), while respecting the limits of use indicated in TABLES 5 and 6 and the capacities indicated in TABLE 8. Castel recommends using piston pilot-operated solenoid valves for applications with the hot gas supply line in particularly harsh (temperature/pressure) operating conditions.

TABLES 5 and 6 show the following functional characteristics of a solenoid valve:

- Connection dimensions
- PS: maximum allowable pressure of the refrigerant
- TS: maximum / minimum allowable temperature of the refrigerant

- TA: maximum / minimum allowable ambient temperature
- Kv: discharge factor
- minOPD : minimum opening pressure differential. This is the minimum pressure differential between inlet and outlet at which a pilot-operated solenoid valve can open and stay opened or close and maintain the seal.
- MOPD: maximum Opening Pressure Differential according to AHRI STANDARD 760 : 2014. This is the maximum pressure differential between inlet and outlet at which a solenoid valve can open.

Before connecting the valve to the pipe, it is advisable to make sure that the refrigerating system is clean. In fact, valves with P.T.F.E. gaskets, and particularly piston valves, are sensitive to dirt and debris. Furthermore, check that the flow direction in the pipe corresponds to the arrow stamped on the valve body. All the valves can be mounted in any position so long as the coil does not point downwards. The brazing of valves with solder connections should be carried out with care, using a low melting point filler material. It is not necessary to disassemble the valves before brazing, but it is important to avoid direct contact between the torch flame and the valve body, which could be damaged and compromise the proper functioning of the valve.

Before connecting a valve to the electrical system, be sure that the line voltage and frequency correspond to the values marked on the coil.

## TRACEABILITY

Direct action valves in series 1020N and 1028N are identified by laser marking on the valve enclosure of the mobile plunger. This marking includes the following data: valve code, refrigerants, PS, TS, and production lot.

The pilot-operated diaphragm and piston valves, series 1034N, 1038N, 1040N, 1048N, 1049N, 1050N, 1058N, 1059N, 1064N, 1068N, 1070N, 1078N, 1079N, 1090N, 1098N, and 1099N are identified by a plastic label fit on the valve enclosure of the mobile plunger (under the coil when indicated). This label includes the following data: valve code, refrigerants, PS, TS, and production lot.

**TABLE 5: General characteristics of NC valves (high temperature) with SAE Flare connections**

Operating Principles	Catalogue Number	SAE Flare Connections	Seat size nominal $\varnothing$ [mm]	Kv Factor [m <sup>3</sup> /h]	Opening Pressure Differential [bar]				PS [bar]	TS [°C]		TA [°C]		Risk Category according to PED Recast	
					min OPD	MOPD				min.	max.	min. (2)	max.		
						coil series									
						9100 9110 9300 (AC)	9160 (AC)	9120 9320 (AC)							9120 9320 (DC)
Direct Acting	1020N/2# (1)	1/4"	2,5	0,175	0	21	28	35	21	45	- 40	+130	- 40	+50	Art. 4.3
	1020N/3# (1)	3/8"	3	0,23											
Diaphragm Pilot Operated	1064N/3# (1)	3/8"	6,5	0,80	0,05	21	28	35	18	45	- 40	+120	- 40	+50	Art. 4.3
	1064N/4# (1)	1/2"							13						
	1070N/4# (1)	1/2"	2,20												
	1070N/5# (1)	5/8"		2,61											
	1090N/5# (1)	5/8"	3,80												
	1090N/6# (1)	3/4"		16,5					4,80						
Piston Pilot Operated	1034N/3# (1)	3/8"	6,5	1	0,05	21	28	35	18	45	- 40	+120	- 40	+50	Art. 4.3
	1034N/4# (1)	1/2"							13						
	1040N/4# (1)	1/2"	2,40												
	1040N/5# (1)	5/8"		3,00											
	1050N/5# (1)	5/8"	3,80												
	1050N/6# (1)	3/4"		16,5					4,80						

# = S, A6

(1) NB: No use with R22, mineral and alchylbenzene oils

(2) Check TA<sub>min</sub> of the chosen coil

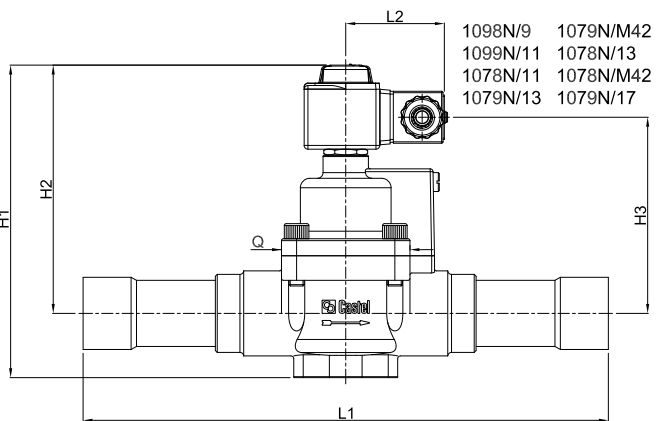
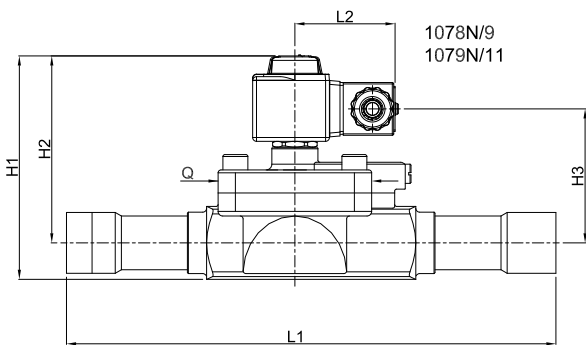
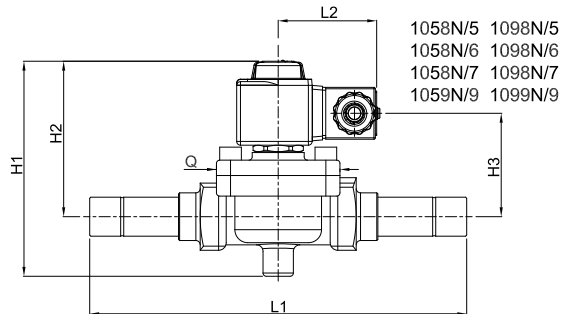
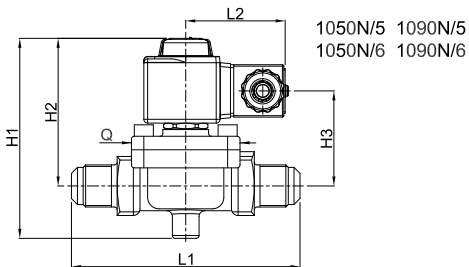
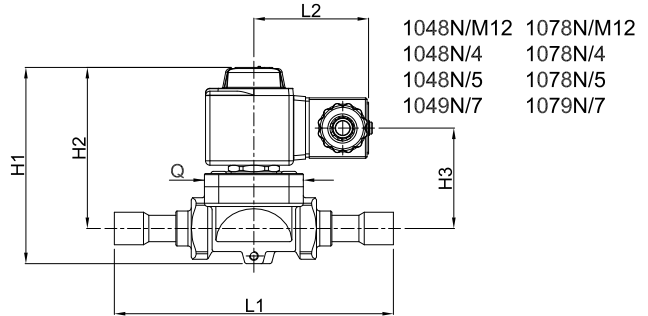
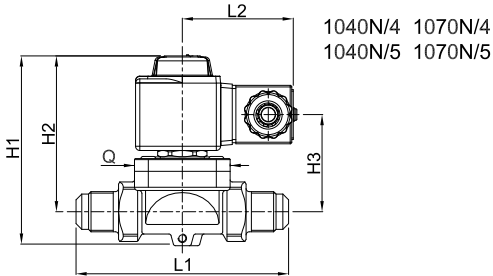
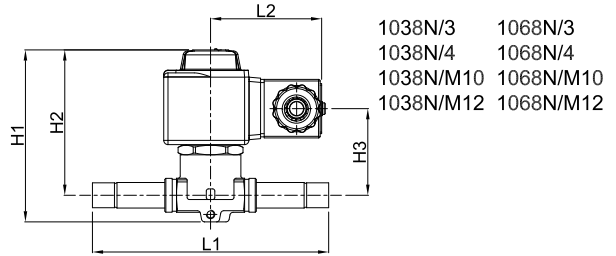
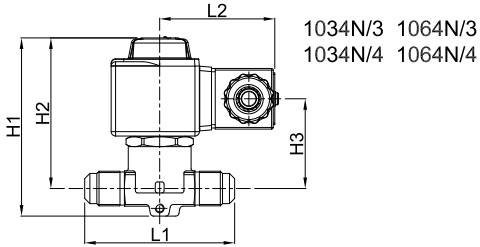
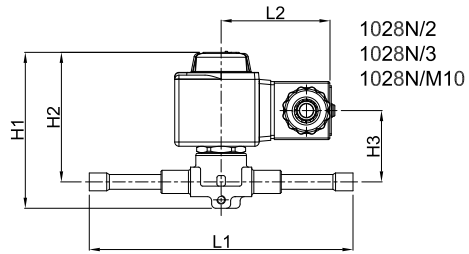
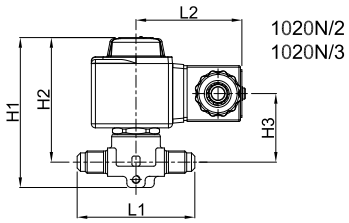
**TABLE 6: General characteristics of NC valves (high temperature) with ODS connections**

Operating Principles	Catalogue Number	Connections ODS		Seat size nominal Ø [mm]	Kv Factor [m³/h]	Opening Pressure Differential [bar]				PS [bar]	TS [°C]		TA [°C]		Risk Category according to PED Recast	
		Ø [in.]	Ø [mm]			min OPD	MOPD				min.	max.	min. (2)	max.		
							coil series									
							9100 9110 9300 (AC)	9160 (AC)	9120 9320 (AC)							9120 9320 (DC)
Direct Acting	1028N/2 # (1)	1/4"	–	2,2	0,15	0	21	28	35	21	45	– 40	+130	– 40	+50	Art. 4.3
	1028N/2.E (1)	1/4"	–	3	0,23											
	1028N/3# (1)	3/8"	–													
	1028N/M10# (1)	–	10													
Diaphragm Pilot Operated	1068N/3# (1)	3/8"	–	6,5	0,80	0,05	21	28	35	18	45	– 40	+120	– 40	+50	Art. 4.3
	1068N/M10# (1)	–	10													
	1068N/M12# (1)	–	12													
	1068N/4# (1)	1/2"	–													
	1078N/M12# (1)	–	12	12,5	2,20											
	1078N/4# (1)	1/2"	–													
	1078N/5# (1)	5/8"	16	16,5	2,61											
	1079N/7# (1)	7/8"	22													
	1098N/5# (1)	5/8"	16													
	1098N/6# (1)	3/4"	–	25,5	10											
	1098N/7# (1)	7/8"	22													
	1099N/9# (1)	1.1/8"	–													
	1078N/9# (1)	1.1/8"	–	10	13											
	1079N/11# (1)	1.3/8"	35													
Piston Pilot Operated	1038N/3# (1)	3/8"	–	6,5	1,00	0,05	21	28	35	18	45	– 40	+120	– 40	+50	Art. 4.3
	1038N/M10# (1)	–	10													
	1038N/M12# (1)	–	12													
	1038N/4# (1)	1/2"	–													
	1048N/M12# (1)	–	12	12,5	2,40											
	1048N/4# (1)	1/2"	–													
	1048N/5# (1)	5/8"	16													
	1049N/7# (1)	7/8"	22													
	1058N/5# (1)	5/8"	16	16,5	3,80											
	1058N/6# (1)	3/4"	–													
	1058N/7# (1)	7/8"	22													
	1059N/9# (1)	1.1/8"	–	25	10											
	1098N/9# (1)	1.1/8"	–													
	1099N/11# (1)	1.3/8"	35													
	1078N/11# (1)	1.3/8"	35	27	16											
	1079N/13# (1)	1.5/8"	–													
	1079N/M42# (1)	–	42													
1078N/13# (1)	1.5/8"	–	34	25												
1078N/M42# (1)	–	42														
1079N/17# (1)	2.1/8"	54														

# = S , A6

(1) NB: No use with R22, mineral and alchylbenzene oils

 (2) Check TA<sub>min</sub> of the chosen coil



**TABLE 7: Dimensions and weights of NC valves (high temperature) with 9300 coils (1)**

Operating Principles	Catalogue Number	Dimensions [mm]						Weight [g]	
		H <sub>1</sub>	H <sub>2</sub>	H <sub>3</sub>	L <sub>1</sub>	L <sub>2</sub>	Q		
Direct Acting	1020N/2#	75	62,5	34	58	52	-	340	
	1020N/3#				65			355	
	1028N/2#				125			350	
	1028N/2#.E				125			350	
	1028N/3#				125			365	
	1028N/M10#				125			365	
Diaphragm Pilot Operated	1064N/3#	82	69,5	40	68	52	-	400	
	1064N/4#				72			415	
	1068N/3#				111			400	
	1068N/M10#				111			395	
	1068N/M12#				127			420	
	1068N/4#				127			420	
	1070N/4#	91	75	47	100		45	45	710
	1070N/5#				106				755
	1078N/M12#				127				690
	1078N/4#				127				680
	1078N/5#				175				775
	1079N/7#				190				765
	1090N/5#	106	78	50	120		57	57	1035
	1090N/6#				124				1365
	1098N/5#				175				995
	1098N/6#				175				1185
	1098N/7#				180				1170
	1099N/9#				216				1225
	1078N/9#	115	96	72	250		80	80	2565
	1079N/11#				292				2620
Piston Pilot Operated	1034N/3#	92,5	80	50,5	68	52	-	440	
	1034N/4#				72			457	
	1038N/3#				111			440	
	1038N/M10#				111			435	
	1038N/M12#				127			462	
	1038N/4#				127			462	
	1040N/4#	100,5	84,5	56,5	100		45	45	781
	1040N/5#				106				831
	1048N/M12#				127				759
	1048N/4#				127				748
	1048N/5#				175				853
	1049N/7#				190				842
	1050N/5#	121	93	65	120		57	57	1157
	1050N/6#				124				1487
	1058N/5#				175				1117
	1058N/6#				175				1307
	1058N/7#				180				1292
	1059N/9#				216				1347
	1098N/9#	157	127	99	235		60	60	2050
	1099N/11#				277				2130
	1078N/11#	175	141	113	278		68	68	2710
	1079N/13#								2750
	1079N/M42#								2750
	1078N/13#	190	153	125	280		88	88	3810
1078N/M42#	3810								
1079N/17#	3880								

# = S , A6

(1) : With coil 9320 the dimension L<sub>2</sub> is equal to 65 mm and the weights must be increased of 500 g.

Connectors are not included in the boxes and have to be ordered separately



**TABLE 8: Refrigerant flow capacity of NC valves (high temperature) [kW]**

Operating Principles	Catalogue Number	Liquid line											
		R134a	R32	R404A	R407C	R410A	R507	R1234yf	R1234ze	R448A	R449A	R450A	R452A
Direct Acting	1020N/2#	2,98	4,40	2,08	3,02	3,00	2,01	2,20	2,63	2,74	2,75	2,78	2,12
	1020N/3#	3,91	5,78	2,74	3,96	3,95	2,65	2,89	3,46	3,60	3,62	3,66	2,79
	1028N/2#	2,55	3,77	1,79	2,58	2,58	1,73	1,89	2,26	2,35	2,36	2,39	1,82
	1028N/2#.E	3,91	5,78	2,74	3,96	3,95	2,65	2,89	3,46	3,60	3,62	3,66	2,79
	1028N/3#												
	1028N/M10#												
1028N/M12#													
Diaphragm Pilot Operated	1064N/3#	13,6	20,1	9,5	13,8	13,7	9,2	10,1	12,0	12,5	12,6	12,7	9,7
	1064N/4#												
	1068N/3#												
	1068N/M10#												
	1068N/M12#												
	1068N/4#												
	1070N/4#	37,4	55,3	26,2	37,9	37,8	25,3	27,7	33,1	34,4	34,6	35,0	26,7
	1070N/5#	44,4	65,6	31,1	45,0	44,8	30,0	32,8	39,3	40,8	41,0	41,5	31,7
	1078N/M12#	37,4	55,3	26,2	37,9	37,8	25,3	27,7	33,1	34,4	34,6	35,0	26,7
	1078N/4#												
	1078N/5#	44,4	65,6	31,1	45,0	44,8	30,0	32,8	39,3	40,8	41,0	41,5	31,7
	1079N/7#	64,6	95,5	45,2	65,5	65,2	43,7	47,8	57,2	59,5	59,7	60,5	46,1
	1090N/5#												
	1090N/6#												
	1098N/5#												
	1098N/6#												
	1098N/7#												
	1099N/9#	96,9	143,2	67,8	98,2	97,9	65,6	71,7	85,7	89,2	89,6	90,7	69,1
1078N/9#	170,0	251,3	119,0	172,3	171,7	115,0	125,8	150,4	156,5	157,2	159,1	121,3	
1079N/11#													
Piston Pilot Operated	1034N/3#	17,0	25,1	11,9	17,2	17,2	11,5	12,6	15,0	15,7	15,7	15,9	12,1
	1034N/4#												
	1038N/3#												
	1038N/M10#												
	1038N/M12#												
	1038N/4#												
	1040N/4#	40,8	60,3	28,6	41,4	41,2	27,6	30,2	36,1	37,6	37,7	38,2	29,1
	1040N/5#	51,0	75,4	35,7	51,7	51,5	34,5	37,7	45,1	47,0	47,2	47,7	36,4
	1048N/M12#	40,8	60,3	28,6	41,4	41,2	27,6	30,2	36,1	37,6	37,7	38,2	29,1
	1048N/4#												
	1048N/5#	51,0	75,4	35,7	51,7	51,5	34,5	37,7	45,1	47,0	47,2	47,7	36,4
	1049N/7#												
	1050N/5#	64,6	95,5	45,2	65,5	65,2	43,7	47,8	57,2	59,5	59,7	60,5	46,1
	1050N/6#	81,6	120,6	57,1	82,7	82,4	55,2	60,4	72,2	75,1	75,5	76,4	58,2
	1058N/5#	64,6	95,5	45,2	65,5	65,2	43,7	47,8	57,2	59,5	59,7	60,5	46,1
	1058N/6#	81,6	120,6	57,1	82,7	82,4	55,2	60,4	72,2	75,1	75,5	76,4	58,2
	1058N/7#	96,9	143,2	67,8	98,2	97,9	65,6	71,7	85,7	89,2	89,6	90,7	69,1
	1059N/9#												
	1098N/9#	170,0	251,3	119,0	172,3	171,7	115,0	125,8	150,4	156,5	157,2	159,1	121,3
	1099N/11#												
	1078N/11#	272,0	-	190,4	275,7	274,7	184,0	-	240,6	250,4	251,5	254,6	194,1
1079N/13#													
1079N/M42#													
1078N/13#	425,0	-	297,5	430,8	429,3	287,5	-	376,0	391,3	393,0	397,8	303,3	
1078N/M42#													
1079N/17#													

# = S , A6

Continued

Standard rating conditions according to AHRI Standard 760-2007

Condensing temperature	110 °F	(43,3 °C)	Temperature leaving evaporator	50 °F	(9,9 °C)
Liquid temperature	100 °F	(37,8 °C)	Evaporator superheating	10 °R	(5,5 °K)
Subcooling	10 °R	(5,5 °K)	Suction line temperature	65 °F	(18,3 °C)
Evaporating temperature	40 °F	(4,4 °C)	Suction superheating	15 °R	(8,4 °K)
			Discharge temperature	160 °F	(71,1 °C)

**TABLE 8: Refrigerant flow capacity of NC valves (high temperature) [kW]**

Operating Principles	Catalogue Number	Suction line											
		R134a	R32	R404A	R407C	R410A	R507	R1234yf	R1234ze	R448A	R449A	R450A	R452A
Direct Acting	1020N/2#	-	-	-	-	-	-	-	-	-	-	-	-
	1020N/3#												
	1028N/2#												
	1028N/2#.E												
	1028N/3#												
	1028N/M10#												
Diaphragm Pilot Operated	1064N/3#	1,46	3,40	1,76	1,82	2,64	1,78	1,18	1,14	1,92	1,76	1,27	1,69
	1064N/4#												
	1068N/3#												
	1068N/M10#												
	1068N/M12#												
	1068N/4#												
	1070N/4#	4,00	9,35	4,84	4,99	7,26	4,91	3,23	3,12	5,28	4,84	3,50	4,64
	1070N/5#	4,75	11,09	5,74	5,92	8,61	5,82	3,84	3,71	6,26	5,74	4,15	5,51
	1078N/M12#	4,00	9,35	4,84	4,99	7,26	4,91	3,23	3,12	5,28	4,84	3,50	4,64
	1078N/4#												
	1078N/5#	4,75	11,09	5,74	5,92	8,61	5,82	3,84	3,71	6,26	5,74	4,15	5,51
	1079N/7#	6,9	16,2	8,4	8,6	12,5	8,5	5,6	5,4	9,1	8,4	6,0	8,0
	1090N/5#												
	1090N/6#												
	1090N/6#												
	1098N/5#	6,9	16,2	8,4	8,6	12,5	8,5	5,6	5,4	9,1	8,4	6,0	8,0
	1098N/6#	8,7	20,4	10,6	10,9	15,8	10,7	7,1	6,8	11,5	10,6	7,6	10,1
	1098N/5#	6,9	16,2	8,4	8,6	12,5	8,5	5,6	5,4	9,1	8,4	6,0	8,0
1098N/6#	8,7	20,4	10,6	10,9	15,8	10,7	7,1	6,8	11,5	10,6	7,6	10,1	
1098N/7#	10,4	24,2	12,5	12,9	18,8	12,7	8,4	8,1	13,7	12,5	9,1	12,0	
1099N/9#													
1078N/9#	18,2	42,5	22,0	22,7	33,0	22,3	14,7	14,2	24,0	22,0	15,9	21,1	
1079N/11#	1,82	4,25	2,20	2,27	3,30	2,23	1,47	1,42	2,40	2,20	1,59	2,11	
1034N/3#													
1034N/4#													
1038N/3#													
1038N/M10#													
1038N/M12#													
1038N/4#													
1040N/4#	4,37	10,20	5,28	5,45	7,92	5,35	3,53	3,41	5,76	5,28	3,82	5,06	
1040N/5#	5,46	12,75	6,60	6,81	9,90	6,69	4,41	4,26	7,20	6,60	4,77	6,33	
1048N/M12#	4,37	10,20	5,28	5,45	7,92	5,35	3,53	3,41	5,76	5,28	3,82	5,06	
1048N/4#													
1048N/5#	5,46	12,75	6,60	6,81	9,90	6,69	4,41	4,26	7,20	6,60	4,77	6,33	
1049N/7#	6,9	16,2	8,4	8,6	12,5	8,5	5,6	5,4	9,1	8,4	6,0	8,0	
1050N/5#													
1050N/6#													
1050N/6#													
1058N/5#	6,9	16,2	8,4	8,6	12,5	8,5	5,6	5,4	9,1	8,4	6,0	8,0	
1058N/6#	8,7	20,4	10,6	10,9	15,8	10,7	7,1	6,8	11,5	10,6	7,6	10,1	
1058N/5#	6,9	16,2	8,4	8,6	12,5	8,5	5,6	5,4	9,1	8,4	6,0	8,0	
1058N/6#	8,7	20,4	10,6	10,9	15,8	10,7	7,1	6,8	11,5	10,6	7,6	10,1	
1058N/7#	10,4	24,2	12,5	12,9	18,8	12,7	8,4	8,1	13,7	12,5	9,1	12,0	
1059N/9#													
1098N/9#	18,2	42,5	22,0	22,7	33,0	22,3	14,7	14,2	24,0	22,0	15,9	21,1	
1099N/11#	29,1	-	35,2	36,3	52,8	35,7	-	22,7	38,4	35,2	25,4	33,8	
1078N/11#													
1079N/13#													
1079N/M42#													
1078N/13#	45,5	-	55,0	56,8	82,5	55,8	-	35,5	60,0	55,0	39,8	52,8	
1078N/M42#													
1078N/13#													
1079N/17#													

# = S , A6

Continued

Standard rating conditions according to AHRI Standard 760-2007

Condensing temperature	110 °F	(43,3 °C)	Temperature leaving evaporator	50 °F	(9,9 °C)
Liquid temperature	100 °F	(37,8 °C)	Evaporator superheating	10 °R	(5,5 °K)
Subcooling	10 °R	(5,5 °K)	Suction line temperature	65 °F	(18,3 °C)
Evaporating temperature	40 °F	(4,4 °C)	Suction superheating	15 °R	(8,4 °K)
			Discharge temperature	160 °F	(71,1 °C)

**TABLE 8: Refrigerant flow capacity of NC valves (high temperature) [kW]**

Operating Principles	Catalogue Number	Hot Gas line											
		R134a	R32	R404A	R407C	R410A	R507	R1234yf	R1234ze	R448A	R449A	R450A	R452A
Direct Acting	1020N/2#	1,49	3,18	1,68	2,08	2,38	1,67	1,16	1,20	2,07	1,89	1,34	1,75
	1020N/3#	1,96	4,18	2,21	2,74	3,13	2,19	1,53	1,58	2,71	2,48	1,76	2,30
	1028N/2#	1,28	2,72	1,44	1,79	2,04	1,43	1,00	1,03	1,77	1,62	1,15	1,50
	1028N/2#.E	1,96	4,18	2,21	2,74	3,13	2,19	1,53	1,58	2,71	2,48	1,76	2,30
	1028N/3#												
	1028N/M10#												
1028N/M12#													
Diaphragm Pilot Operated	1064N/3#	6,8	14,5	7,7	9,5	10,9	7,6	5,3	5,5	9,4	8,6	6,1	8,0
	1064N/4#												
	1068N/3#												
	1068N/M10#												
	1068N/M12#												
	1068N/4#												
	1070N/4#	18,7	40,0	21,1	26,2	29,9	21,0	14,6	15,1	26,0	23,7	16,8	22,0
	1070N/5#	22,2	47,4	25,1	31,1	35,5	24,9	17,3	17,9	30,8	28,1	20,0	26,0
	1078N/M12#	18,7	40,0	21,1	26,2	29,9	21,0	14,6	15,1	26,0	23,7	16,8	22,0
	1078N/4#												
	1078N/5#	22,2	47,4	25,1	31,1	35,5	24,9	17,3	17,9	30,8	28,1	20,0	26,0
	1079N/7#	32,3	69,0	36,5	45,2	51,7	36,3	25,2	26,0	44,8	41,0	29,1	37,9
	1090N/5#	40,8	87,2	46,1	57,1	65,3	45,8	31,9	32,9	56,6	51,7	36,7	47,9
	1090N/6#	32,3	69,0	36,5	45,2	51,7	36,3	25,2	26,0	44,8	41,0	29,1	37,9
	1098N/5#	40,8	87,2	46,1	57,1	65,3	45,8	31,9	32,9	56,6	51,7	36,7	47,9
	1098N/6#	48,5	103,5	54,7	67,8	77,5	54,4	37,8	39,0	67,3	61,4	43,6	56,9
	1098N/7#	85,0	181,6	96,0	119,0	136,0	95,4	66,4	68,5	118,0	107,8	76,5	99,8
	1099N/9#												
1078N/9#	85,0	181,6	96,0	119,0	136,0	95,4	66,4	68,5	118,0	107,8	76,5	99,8	
1079N/11#	1034N/3#	8,5	18,2	9,6	11,9	13,6	9,5	6,6	6,9	11,8	10,8	7,7	10,0
1034N/4#													
1038N/3#													
1038N/M10#													
1038N/M12#													
1038N/4#													
1040N/4#	20,4	43,6	23,0	28,6	32,6	22,9	15,9	16,4	28,3	25,9	18,4	24,0	
1040N/5#	25,5	54,5	28,8	35,7	40,8	28,6	19,9	20,6	35,4	32,3	23,0	29,9	
1048N/M12#	20,4	43,6	23,0	28,6	32,6	22,9	15,9	16,4	28,3	25,9	18,4	24,0	
1048N/4#													
1048N/5#	25,5	54,5	28,8	35,7	40,8	28,6	19,9	20,6	35,4	32,3	23,0	29,9	
1049N/7#	32,3	69,0	36,5	45,2	51,7	36,3	25,2	26,0	44,8	41,0	29,1	37,9	
1050N/5#	40,8	87,2	46,1	57,1	65,3	45,8	31,9	32,9	56,6	51,7	36,7	47,9	
1050N/6#	32,3	69,0	36,5	45,2	51,7	36,3	25,2	26,0	44,8	41,0	29,1	37,9	
1058N/5#	40,8	87,2	46,1	57,1	65,3	45,8	31,9	32,9	56,6	51,7	36,7	47,9	
1058N/6#	48,5	103,5	54,7	67,8	77,5	54,4	37,8	39,0	67,3	61,4	43,6	56,9	
1058N/7#	85,0	181,6	96,0	119,0	136,0	95,4	66,4	68,5	118,0	107,8	76,5	99,8	
1059N/9#													
1098N/9#	85,0	181,6	96,0	119,0	136,0	95,4	66,4	68,5	118,0	107,8	76,5	99,8	
1099N/11#	1078N/11#	136,0	-	153,6	190,4	217,6	152,6	-	109,6	188,8	172,5	122,4	159,7
1079N/13#													
1079N/M42#													
1078N/13#	212,5	-	240,0	297,5	340,0	238,5	-	171,3	295,0	269,5	191,3	249,5	
1078N/M42#													
1079N/17#													

# = S , A6

Standard rating conditions according to AHRI Standard 760-2007

Condensing temperature	110 °F	(43,3 °C)	Temperature leaving evaporator	50 °F	(9,9 °C)
Liquid temperature	100 °F	(37,8 °C)	Evaporator superheating	10 °R	(5,5 °K)
Subcooling	10 °R	(5,5 °K)	Suction line temperature	65 °F	(18,3 °C)
Evaporating temperature	40 °F	(4,4 °C)	Suction superheating	15 °R	(8,4 °K)
			Discharge temperature	160 °F	(71,1 °C)

# CHAPTER 3 ■

## NORMALLY-CLOSED PULSE SOLENOID VALVES

### FOR REFRIGERATION PLANTS THAT USE HFC OR HFO REFRIGERANTS



#### APPLICATION

The solenoid valves illustrated in this chapter are designed for applications that require a solenoid valve that cycles at high frequencies for a short period, to accurately maintain the regulated temperature of the refrigeration fluid. They can be installed on systems that use the following refrigerant fluids:

- HFC (R134a , R404A , R407C , R410A , 507)
- HFO and HFO/HFC mixtures (R1234ze , R448A , R449A , R450A , and R452A)

belonging to Group 2, as defined in Article 13, Chapter 1, Point (b) of Directive 2014/68/EU, with reference to EC Regulation No. 1272/2008.

Furthermore, the same solenoid valves can also be installed on systems that use the following refrigeration fluids:

- HFC (R32)
- HFO (R1234yf)

classified as A2L in the ASHRAE 34-2013 standard, and belonging to Group 1, as defined in Article 13, Chapter 1, Point (a) of Directive 2014/68/EU, with reference to EC Regulation No. 1272/2008.

For specific applications with refrigerant fluids not listed above, please contact Castel Technical Department.

**CAUTION!:** The pulse solenoid valves in this chapter cannot be used with R22, mineral oils, or alkylbenzene oils.

#### OPERATION

The valves listed in this chapter are normally closed valves (NC). This means that when the coil is not energised, the plunger closes the fluid flow. When the coil is energised, the plunger opens the valve seat connecting the inlet to the outlet.

All the valves are exclusively sold in the model without coil (suffix S). These valves can be coupled with the coils in series 9100, 9110, 9120, 9160, 9300, and 9320.

The valves series 1328N are direct acting valves. Their operation depends only on the magnetic field produced by the current flow into the coil. Opening/closing of main valve seat, the only seat, is directly controlled by the mobile plunger.

**These valves can work with zero pressure differential.**

The valves in series 1338N are pilot-operated piston solenoid valves. Their operation depends not only on the magnetic field produced by the current flow into the coil, but also on a minimum inlet pressure, which is necessary to:

- open the piston and keep it lifted off the main opening
- close the piston and ensure the tightness on the main opening

Opening/closing of main valve seat is controlled by the piston, while opening/closing of pilot seat is controlled by the mobile plunger of the coil.

**These valves cannot work with zero differential pressure.**

#### CONSTRUCTION

The NC pulse solenoid valves are equipped with a specific reinforced magnetic unit (mobile plunger + valve sleeve for holding it), specifically designed to guarantee a very high number of work cycles compared to a normal NC solenoid valve.

The main parts of the solenoid valves described in this chapter are constructed with the following materials:

- Hot forged brass EN 12420 – CW 617N for body and cover
- Copper tube EN 12735-1 – Cu-DHP for solder connections

- Hot forged brass EN 12420 – CW 724R for mobile plunger valve sleeve
- Ferritic stainless steel EN 10088-3 – 1.4105 for the fixed and mobile plungers
- Hydrogenated nitrile butadiene rubber (HNBR) for outlet seal gaskets
- P.T.F.E. for seat gaskets

## INSTALLATION

The valve series 1328N and 1338N can be used as either a hot gas by-pass valve between the high and the low pressure sides of a system or as a liquid injection valve, within the limits of use indicated in TABLE 9 and the capacities indicated in TABLE 11.

TABLE 9 shows the following functional characteristics of a solenoid valve:

- Connection dimensions
- PS: maximum allowable pressure of the refrigerant
- TS: maximum / minimum allowable temperature of the refrigerant
- TA: maximum / minimum allowable ambient temperature
- Kv: discharge factor
- minOPD: minimum Opening Pressure Differential. This is the minimum pressure differential between inlet and outlet at which a pilot-operated solenoid valve can open and stay opened or close and maintain the seal.
- MOPD: maximum Opening Pressure Differential according to AHRI STANDARD 760 : 2014. This is the maximum pressure differential between inlet and outlet at which a

solenoid valve can open.

- No. of Cycles: useful operational life expected for the valve expressed in the number of operating cycles, considering a complete cycle consisting of an opening and successive closing of the valve.

Before connecting the valve to the pipe, it is advisable to make sure that the refrigerating system is clean. In fact, valves with P.T.F.E. gaskets, and particularly piston valves, are sensitive to dirt and debris. Furthermore, check that the flow direction in the pipe corresponds to the arrow stamped on the valve body. All the valves can be mounted in any position so long as the coil does not point downwards. The brazing of valves with solder connections should be carried out with care, using a low melting point filler material. It is not necessary to disassemble the valves before brazing, but it is important to avoid direct contact between the torch flame and the valve body, which could be damaged and compromise the proper functioning of the valve.

Before connecting a valve to the electrical system, be sure that the line voltage and frequency correspond to the values marked on the coil.

## TRACEABILITY

The direct action valves in series 1328N and the pilot-operated solenoid valves in series 1338N are identified by a plastic label fit on the valve enclosure of the mobile plunger. This label includes the following data: valve code, refrigerants, PS, TS, and production lot.

TABLE 9: General Characteristics of NC pulse valves with ODS connections

Operating Principles	Catalogue Number	Connections ODS		Seat size nominal Ø [mm]	Kv Factor [m³/h]	Opening Pressure Differential [bar]					PS [bar]	TS [°C]		TA [°C]		Cycles No min	Risk Category according to PED Recast
		Ø [in.]	Ø [mm]			min OPD	MOPD					min.	max.	min. (2)	max.		
							coil series										
							9100 9110 9300 (AC)	9160 (AC)	9120 9320 (AC)	9120 9320 (DC)							
Direct Acting	1328N/2S020 (1)	1/4"	–	2,2	0,15	0	28	30	35	21	45	– 40	+150	– 40	+50	6.000.000	Art. 4.3
	1328N/2S030 (1)	1/4"	–	3	0,23	0	18	21	25	18							
	1328N/3S020 (1)	3/8"	–	2,2	0,15	0	28	30	35	21							
	1328N/3S030 (1)	3/8"	–	3	0,23	0	18	21	25	18							
	1328N/M13S020 (1)	–	10	2,2	0,15	0	28	30	35	21							
	1328N/M13S030 (1)	–	10	3	0,23	0	18	21	25	18							
Piston Pilot Operated	1338N/3S065 (1)	3/8"	–	6,5	1,00	0,05	21	28	35	18	45	– 40	+150	– 40	+50	6.000.000	Art. 4.3
	1338N/M10S065 (1)	–	10														
	1338N/M12S065 (1)	–	12														
	1338N/4S065 (1)	1/2"	–														

(1) NB: No use with R22, mineral and alchylbenzene oils

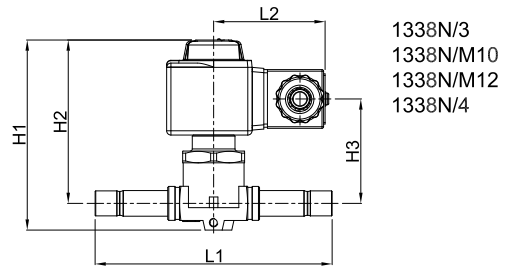
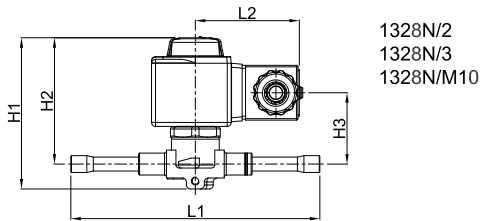
(2) Check TA<sub>min</sub> of the chosen coil

**TABLE 10: Dimensions and Weights of NC pulse valves with 9300 coils (1)**

Operating Principles	Catalogue Number	Dimensions [mm]						Weight [g]
		H <sub>1</sub>	H <sub>2</sub>	H <sub>3</sub>	L <sub>1</sub>	L <sub>2</sub>	Q	
Direct Acting	1328N/2S020 (1)	75	62,5	34	125	52	-	350
	1328N/2S030 (1)							350
	1328N/3S020 (1)							365
	1328N/3S030 (1)							365
	1328N/M13S020 (1)							365
	1328N/M13S030 (1)							365
Piston Pilot Operated	1338N/3S065 (1)	92,5	80	50,5	111	52	-	440
	1338N/M10S065 (1)				111			435
	1338N/M12S065 (1)				127			462
	1338N/4S065 (1)				127			462

(1) : With coil 9320 the dimension L<sub>2</sub> is equal to 65 mm and the weights must be increased of 500 g.

Connectors are not included in the boxes and have to be ordered separately



**TABLE 11: Refrigerant Flow Capacity of NC pulse valves [kW]**

Operating Principles	Catalogue Number	Liquid line											
		R134a	R32	R404A	R407C	R410A	R507	R1234yf	R1234ze	R448A	R449A	R450A	R452A
Direct Acting	1328N/2S020	2,55	3,77	1,79	2,58	2,58	1,73	1,89	2,26	2,35	2,36	2,39	1,82
	1328N/2S030	3,91	5,78	2,74	3,96	3,95	2,65	2,89	3,46	3,60	3,62	3,66	2,79
	1328N/3S020	2,55	3,77	1,79	2,58	2,58	1,73	1,89	2,26	2,35	2,36	2,39	1,82
	1328N/3S030	3,91	5,78	2,74	3,96	3,95	2,65	2,89	3,46	3,60	3,62	3,66	2,79
	1328N/M13S020	2,55	3,77	1,79	2,58	2,58	1,73	1,89	2,26	2,35	2,36	2,39	1,82
	1328N/M13S030	3,91	5,78	2,74	3,96	3,95	2,65	2,89	3,46	3,60	3,62	3,66	2,79
Diaphragm Pilot Operated	1338N/3S065	13,6	20,1	9,5	13,8	13,7	9,2	10,1	12,0	12,5	12,6	12,7	9,7
	1338N/M10S065												
	1338N/M12S065												
	1338N/4S065												

t

**TABLE 11: Refrigerant Flow Capacity of NC pulse valves [kW]**

Operating Principles	Catalogue Number	Hot Gas line											
		R134a	R32	R404A	R407C	R410A	R507	R1234yf	R1234ze	R448A	R449A	R450A	R452A
Direct Acting	1328N/2S020	1,28	2,72	1,44	1,79	2,04	1,43	1,00	1,03	1,77	1,62	1,15	1,50
	1328N/2S030	1,96	4,18	2,21	2,74	3,13	2,19	1,53	1,58	2,71	2,48	1,76	2,30
	1328N/3S020	1,28	2,72	1,44	1,79	2,04	1,43	1,00	1,03	1,77	1,62	1,15	1,50
	1328N/3S030	1,96	4,18	2,21	2,74	3,13	2,19	1,53	1,58	2,71	2,48	1,76	2,30
	1328N/M13S020	1,28	2,72	1,44	1,79	2,04	1,43	1,00	1,03	1,77	1,62	1,15	1,50
	1328N/M13S030	1,96	4,18	2,21	2,74	3,13	2,19	1,53	1,58	2,71	2,48	1,76	2,30
Diaphragm Pilot Operated	1338N/3S065	6,8	14,5	7,7	9,5	10,9	7,6	5,3	5,5	9,4	8,6	6,1	8,0
	1338N/M10S065												
	1338N/M12S065												
	1338N/4S065												

# = S , A6

Standard rating conditions according to AHRI Standard 760-2007

Condensing temperature	110 °F	(43,3 °C)	Temperature leaving evaporator	50 °F	(9,9 °C)
Liquid temperature	100 °F	(37,8 °C)	Evaporator superheating	10 °R	(5,5 °K)
Subcooling	10 °R	(5,5 °K)	Suction line temperature	65 °F	(18,3 °C)
Evaporating temperature	40 °F	(4,4 °C)	Suction superheating	15 °R	(8,4 °K)
			Discharge temperature	160 °F	(71,1 °C)

# CHAPTER 4 ■

## NORMALLY-OPEN SOLENOID VALVES

### FOR REFRIGERATION PLANTS THAT USE HCFC, HFC OR HFO REFRIGERANTS



#### APPLICATION

The solenoid valves illustrated in this chapter are designed for installation on commercial refrigeration systems and on civil and industrial air conditioning plants that use the following refrigerant fluids:

- HCFC (R22)
- HFC (R134a , R404A , R407C , R410A , R507)
- HFO and HFO/HFC mixtures (R1234ze , R448A , R449A , R450A , and R452A)

belonging to Group 2, as defined in Article 13, Chapter 1, Point (b) of Directive 2014/68/EU, with reference to EC Regulation No. 1272/2008.

Furthermore, the same solenoid valves, up to DN 25, that is models 1178/9 and 1198/9, can also be installed on systems using the following refrigeration fluids:

- HFC (R32)
- HFO (R1234yf)

classified as A2L in the ASHRAE 34-2013 standard, and belonging to Group 1, as defined in Article 13, Chapter 1, Point (a) of Directive 2014/68/EU, with reference to EC Regulation No. 1272/2008.

For specific applications with refrigerant fluids not listed above, please contact Castel Technical Department.

#### OPERATION

The valves listed in this chapter are normally open valves (NO). This means that when the coil is not energized, the plunger opens the fluid flow. When the coil is energized, the plunger closes the fluid flow.

All the valves are exclusively sold in the model without coil (suffix S).

N.B.: the NO valve visually differs from the corresponding NC model by means of a red ring installed below the yellow nut that fastens the coil.

The valves series 1164 ; 1168 ; 1170 ; 1178 (excluded /11 , /13 , /M42) ; 1190 ; 1198 (excluded /9) are pilot-operated diaphragm valves. Their operation depends not only on the magnetic field produced by the current flow into the coil, but also on a minimum inlet pressure, which is necessary to:

- open the diaphragm and keep it lifted off the main opening
- close the diaphragm and ensure the tightness on the main opening

Opening/closing of main valve seat is controlled by the diaphragm while opening/closing of pilot seat is controlled by the mobile plunger of the coil.

**These valves cannot work with zero differential pressure.**

The valves series 1134 ; 1138 ; 1140 ; 1148 ; 1150 ; 1158 ; 1178 (/11 , /13 , /M42) ; 1198/9 are pilot operated piston valves. Their operation depends not only on the magnetic field produced by the current flow into the coil, but also on a minimum inlet pressure, which is necessary to:

- open the piston and keep it lifted off the main opening
- close the piston and ensure the tightness on the main opening

Opening/closing of main valve seat is controlled by the piston, while opening/closing of pilot seat is controlled by the mobile plunger of the coil.

**These valves cannot work with zero differential pressure.**

#### CONSTRUCTION

The main parts of the solenoid valves described in this chapter are constructed with the following materials:

- Hot forged brass EN 12420 – CW 617N for body and cover



- Copper tube EN 12735-1 – Cu-DHP for solder connections
- Austenitic stainless steel EN 10088-2 – 1.4303 for enclosure where the plunger moves
- Ferritic stainless steel EN 10088-3 – 1.4105 for the plunger
- Austenitic stainless steel EN ISO 3506 – A2-70 for tightening screws between body and cover.
- Chloroprene rubber (CR) for the outlet seal gaskets
- P.T.F.E. for seat gaskets

## INSTALLATION

The valves can be installed on the three main branches of a plant (hot gas line, liquid line, and suction line), while respecting the limits of use indicated in TABLES 12 and 13 and the capacities indicated in TABLE 15. TABLES 12 and 13 show the following functional characteristics of a solenoid valve:

- Connection dimensions
- PS: maximum allowable pressure of the refrigerant
- TS: maximum / minimum allowable temperature of the refrigerant
- TA: maximum / minimum allowable ambient temperature
- Kv: discharge factor
- minOPD: minimum Opening Pressure Differential. This is the minimum pressure differential between inlet and outlet at which a pilot-operated solenoid valve can open and stay opened or close and maintain the seal.
- MOPD: maximum Opening Pressure Differential according to AHRI STANDARD 760 : 2014. This is the maximum pressure differential between inlet and outlet at which a solenoid valve can open.

Before connecting the valve to the pipe, it is advisable to make sure that the refrigerating system is clean. In fact, valves with P.T.F.E. gaskets, and particularly piston valves,

are sensitive to dirt and debris. Furthermore, check that the flow direction in the pipe corresponds to the arrow stamped on the valve body. All the valves can be mounted in any position so long as the coil does not point downwards. The brazing of valves with solder connections should be carried out with care, using a low melting point filler material. It is not necessary to disassemble the valves before brazing, but it is important to avoid direct contact between the torch flame and the valve body, which could be damaged and compromise the proper functioning of the valve.

Before connecting a valve to the electrical system, be sure that the line voltage and frequency correspond to the values marked on the coil.

**N.B. The NO valves have been designed to work only with direct current coils; therefore, they can be used solely with coils 9120/RD1 (HM3 type – 12 VDC) , 9120/RD2 (HM3 type – 24 VDC) , 9120/RD4 (HM3 type – 48 VDC). For applications with 220/230 VAC power supply, it is mandatory to couple the NO valves with the following components: Coil 9120/RD6 (HM3 types - 220 VRAC) + Connector/Rectifier 9150/R45 or 9150/R90. NO solenoid valves cannot be coupled with coils series 9100, 9110, 9120/RA6, 9160, 9300, and 9320.**

## TRACEABILITY

Pilot-operated diaphragm and piston valves series 1134, 1138, 1140, 1148, 1150, 1158, 1164, 1168, 1170, 1178, 1190, and 1198 are identified by marking on the yellow locking ring-nut for the coil. The marking on the ring-nut includes the following data: valve code, PS, and production lot.

**TABLE 12: General characteristics of NO valves with SAE Flare connections**

Operating Principles	Catalogue Number	SAE Flare Connections	Seat size nominal $\varnothing$ [mm]	Kv Factor [m <sup>3</sup> /h]	Opening Pressure Differential [bar]			PS [bar]	TS [°C]		TA [°C]		Risk Category according to PED Recast
					min OPD	MOPD 9120/RD6	MOPD 9120/RD1 9120/RD2		min.	max.	min. (3)	max.	
Diaphragm Pilot Operated	1164/3S	3/8"	6,5	0,80	0,05	30	16	45	-35	+105 (1)	-35	+50	Art. 4.3
	1170/4S	1/2"	12,5	2,20									
	1170/5S	5/8"	2,61										
	1190/5S	5/8"	3,80										
	1190/6S	3/4"	16,5	4,80									
Piston Pilot Operated	1134/3S	3/8"	6,5	1,00	0,07	30	30	45	-35	+110 (2)	-35	+50	Art. 4.3
	1140/4S	1/2"	12,5	2,40									
	1140/5S	5/8"	3,00										
	1150/5S	5/8"	3,80										
	1150/6S	3/4"	16,5	4,80									

(1) Temperature peaks of 120 °C are allowed during defrosting

(2) Temperature peaks of 130 °C are allowed during defrosting

(3) Check TA<sub>min</sub> of the chosen coil

**TABLE 13: General characteristics of NO valves with ODS connections**

Operating Principles	Catalogue Number	Connections ODS		Seat size nominal $\varnothing$ [mm]	Kv Factor [m <sup>3</sup> /h]	Opening Pressure Differential [bar]			PS [bar]	TS [°C]		TA [°C]		Risk Category according to PED Recast			
		$\varnothing$ [in.]	$\varnothing$ [mm]			min OPD	MOPD 9120/RD6	MOPD 9120/RD1 9120/RD2		min.	max.	min.	max.				
Diaphragm Pilot Operated	1168/3S	3/8"	-	6,5	0,80	0,05	30	16	45	-35	+105 (1)	-35	+50	Art. 4.3			
	1168/M10S	-	10														
	1178/M12S	-	12														
	1178/4S	1/2"	-	12,5	0,80												
	1178/5S	5/8"	16	2,61													
	1198/5S	5/8"	16	3,80													
	1198/6S	3/4"	-	16,5	4,80												
	1198/7S	7/8"	22	5,70													
	1178/9S	1.1/8"	-	25,5	10										28	28	
Piston Pilot Operated	1138/3S	3/8"	-	6,5	1,00	0,05	30	30	45	-35	+110 (2)	-35	+50	Art. 4.3			
	1138/M10S	-	10														
	1148/M12S	-	12														
	1148/4S	1/2"	-	12,5	2,40												
	1148/5S	5/8"	16	3,00													
	1158/5S	5/8"	16	3,80													
	1158/6S	3/4"	-	16,5	4,80												
	1158/7S	7/8"	22	5,70													
	1198/9S	1.1/8"	-	25	10										0,1	30	16
	1178/11S	1.3/8"	35	27	16												
	1178/13S	1.5/8"	-	34	25												
	1178/M42S	-	42														

(1) Temperature peaks of 120 °C are allowed during defrosting

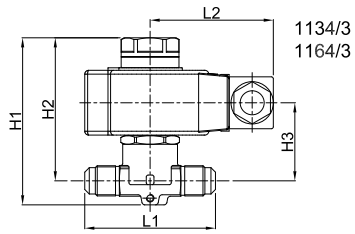
(2) Temperature peaks of 130 °C are allowed during defrosting

(3) Check TA<sub>min</sub> of the chosen coil

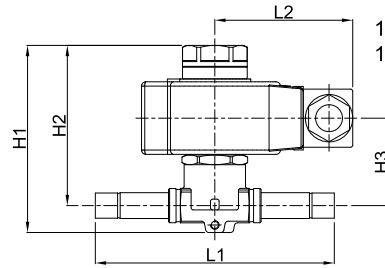
**TABLE 14: Dimensions and weights of NO valves with 9120 coils**

Operating Principles	Catalogue Number	Dimensions [mm]						Weight [g]
		H <sub>1</sub>	H <sub>2</sub>	H <sub>3</sub>	L <sub>1</sub>	L <sub>2</sub>	Q	
Diaphragm Pilot Operated	1164/3S	87	74,5	40	68	65	-	705
	1168/3S				111			705
	1168/M10S				111			700
	1170/4S	96	80	47	100		45	1015
	1170/5S				106			1060
	1178/M12S				127			995
	1178/4S				127			985
	1178/5S	111	83	50	175		57	1080
	1190/5S				120			1340
	1190/6S				124			1670
	1198/5S				175			1300
	1198/6S				175			1490
	1198/7S	120	101	72	180		80	1475
	1178/9S				250			2870
Piston Pilot Operated	1134/3S	97,5	85	50,5	68	65	-	775
	1138/3S				111			775
	1138/M11S				111			770
	1140/4S	105,5	89,5	56,5	100		45	1117
	1140/5S				106			1166
	1148/M12S				127			1095
	1148/4S				127			1084
	1148/5S	126	98	70	175		57	1188
	1150/5S				120			1462
	1150/6S				124			1792
	1158/5S				175			1422
	1158/6S				175			1612
	1158/7S	162	132	99	180		60	1597
	1198/9S				235			2355
	1178/11S				278			3015
	1178/13S	195	158	130	280		88	3820
	1178/M42S							3820

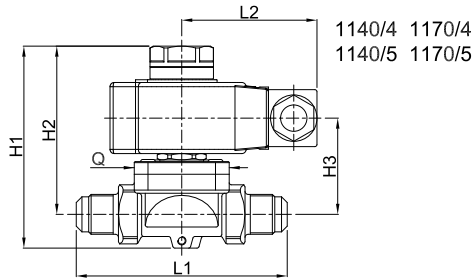
Connectors are not included in the boxes and have to be ordered separately



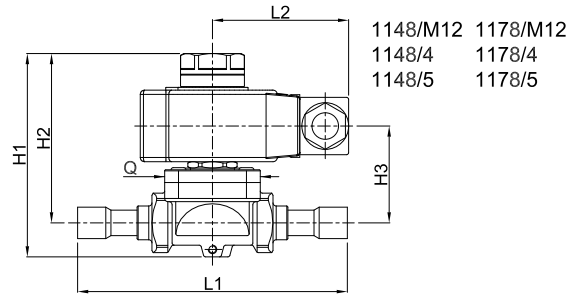
1134/3  
1164/3



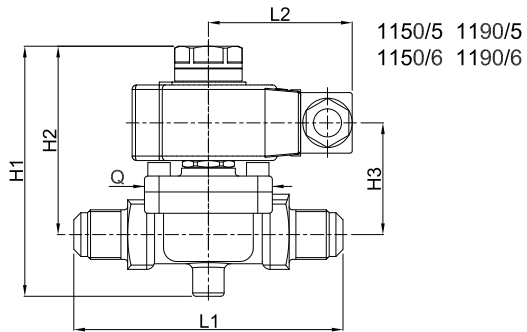
1138/3 1168/3  
1138/M10 1168/M10



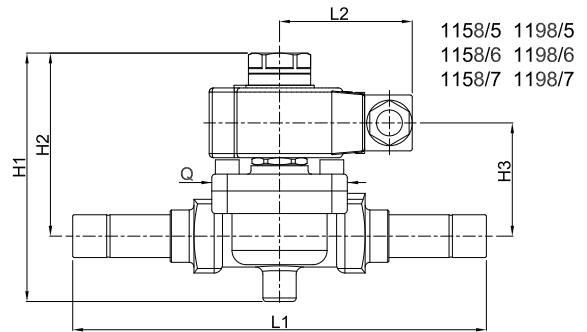
1140/4 1170/4  
1140/5 1170/5



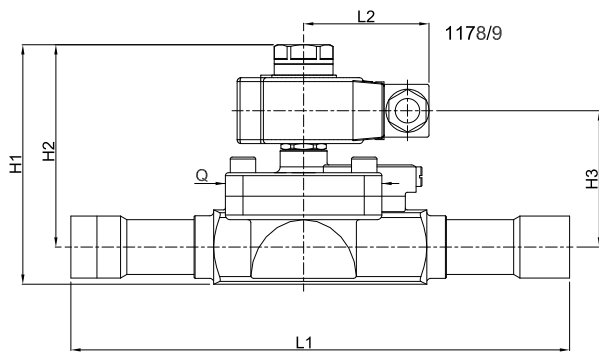
1148/M12 1178/M12  
1148/4 1178/4  
1148/5 1178/5



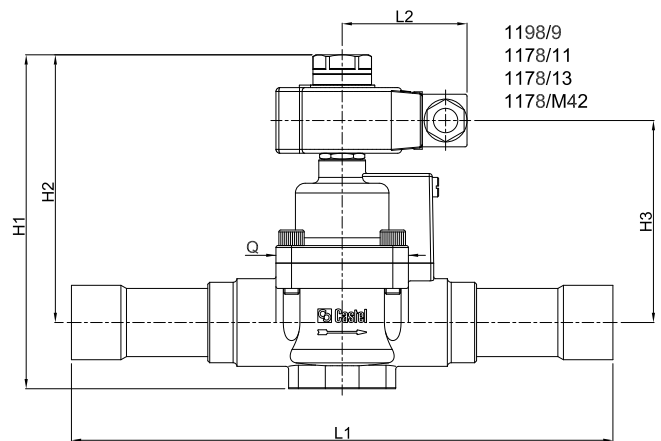
1150/5 1190/5  
1150/6 1190/6



1158/5 1198/5  
1158/6 1198/6  
1158/7 1198/7



1178/9



1198/9  
1178/11  
1178/13  
1178/M42

**TABLE 15: Refrigerant flow capacity of NO valves [kW]**

Operating Principles	Catalogue Number	Liquid line											
		R134a	R22	R404A	R407C	R410A	R507	R1234yf	R1234ze	R448A	R449A	R450A	R452A
Diaphragm Pilot Operated	1064/3S	13,6	14,6	9,5	13,8	13,7	9,2	10,1	12,0	12,5	12,6	12,7	9,7
	1068/3S												
	1068/M10S												
	1070/4S	37,4	40,3	26,2	37,9	37,8	25,3	27,7	33,1	34,4	34,6	35,0	26,7
	1070/5S	44,4	47,8	31,1	45,0	44,8	30,0	32,8	39,3	40,8	41,0	41,5	31,7
	1078/M12S	37,4	40,3	26,2	37,9	37,8	25,3	27,7	33,1	34,4	34,6	35,0	26,7
	1078/4S												
	1078/5S	44,4	47,8	31,1	45,0	44,8	30,0	32,8	39,3	40,8	41,0	41,5	31,7
	1090/5S	64,6	69,5	45,2	65,5	65,2	43,7	47,8	57,2	59,5	59,7	60,5	46,1
	1090/6S	81,6	87,8	57,1	82,7	82,4	55,2	60,4	72,2	75,1	75,5	76,4	58,2
	1098/5S	64,6	69,5	45,2	65,5	65,2	43,7	47,8	57,2	59,5	59,7	60,5	46,1
	1098/6S	81,6	87,8	57,1	82,7	82,4	55,2	60,4	72,2	75,1	75,5	76,4	58,2
	1098/7S	96,9	104,3	67,8	98,2	97,9	65,6	71,7	85,7	89,2	89,6	90,7	69,1
	1078/9S	170,0	183,0	119,0	172,3	171,7	115,0	125,8	150,4	156,5	157,2	159,1	121,3
Piston Pilot Operated	1034/3S	17,0	18,3	11,9	17,2	17,2	11,5	12,6	15,0	15,7	15,7	15,9	12,1
	1038/3S												
	1038/M10S												
	1040/4S	40,8	43,9	28,6	41,4	41,2	27,6	30,2	36,1	37,6	37,7	38,2	29,1
	1040/5S	51,0	54,9	35,7	51,7	51,5	34,5	37,7	45,1	47,0	47,2	47,7	36,4
	1048/M12S	40,8	43,9	28,6	41,4	41,2	27,6	30,2	36,1	37,6	37,7	38,2	29,1
	1048/4S												
	1048/5S	51,0	54,9	35,7	51,7	51,5	34,5	37,7	45,1	47,0	47,2	47,7	36,4
	1050/5S	64,6	69,5	45,2	65,5	65,2	43,7	47,8	57,2	59,5	59,7	60,5	46,1
	1050/6S	81,6	87,8	57,1	82,7	82,4	55,2	60,4	72,2	75,1	75,5	76,4	58,2
	1058/5S	64,6	69,5	45,2	65,5	65,2	43,7	47,8	57,2	59,5	59,7	60,5	46,1
	1058/6S	81,6	87,8	57,1	82,7	82,4	55,2	60,4	72,2	75,1	75,5	76,4	58,2
	1058/7S	96,9	104,3	67,8	98,2	97,9	65,6	71,7	85,7	89,2	89,6	90,7	69,1
	1098/9S	170,0	183,0	119,0	172,3	171,7	115,0	125,8	150,4	156,5	157,2	159,1	121,3
	1078/11S	272,0	292,8	190,4	275,7	274,7	184,0	-	240,6	250,4	251,5	254,6	194,1
	1078/13S	425,0	457,5	297,5	430,8	429,3	287,5	-	376,0	391,3	393,0	397,8	303,3
1078/M42S													

Standard rating conditions according to AHRI Standard 760-2007

Continued

Condensing temperature	110 °F	(43,3 °C)	Temperature leaving evaporator	50 °F	(9,9 °C)
Liquid temperature	100 °F	(37,8 °C)	Evaporator superheating	10 °R	(5,5 °K)
Subcooling	10 °R	(5,5 °K)	Suction line temperature	65 °F	(18,3 °C)
Evaporating temperature	40 °F	(4,4 °C)	Suction superheating	15 °R	(8,4 °K)
			Discharge temperature	160 °F	(71,1 °C)

**TABLE 15: Refrigerant flow capacity of NO valves [kW]**

Operating Principles	Catalogue Number	Suction line											
		R134a	R22	R404A	R407C	R410A	R507	R1234yf	R1234ze	R448A	R449A	R450A	R452A
Diaphragm Pilot Operated	1064/3S	1,46	2,04	1,76	1,82	2,64	1,78	1,18	1,14	1,92	1,76	1,27	1,69
	1068/3S												
	1068/M10S												
	1070/4S	4,00	5,61	4,84	4,99	7,26	4,91	3,23	3,12	5,28	4,84	3,50	4,64
	1070/5S	4,75	6,66	5,74	5,92	8,61	5,82	3,84	3,71	6,26	5,74	4,15	5,51
	1078/M12S	4,00	5,61	4,84	4,99	7,26	4,91	3,23	3,12	5,28	4,84	3,50	4,64
	1078/4S												
	1078/5S	4,75	6,66	5,74	5,92	8,61	5,82	3,84	3,71	6,26	5,74	4,15	5,51
	1090/5S	6,9	9,7	8,4	8,6	12,5	8,5	5,6	5,4	9,1	8,4	6,0	8,0
	1090/6S	8,7	12,2	10,6	10,9	15,8	10,7	7,1	6,8	11,5	10,6	7,6	10,1
	1098/5S	6,9	9,7	8,4	8,6	12,5	8,5	5,6	5,4	9,1	8,4	6,0	8,0
	1098/6S	8,7	12,2	10,6	10,9	15,8	10,7	7,1	6,8	11,5	10,6	7,6	10,1
	1098/7S	10,4	14,5	12,5	12,9	18,8	12,7	8,4	8,1	13,7	12,5	9,1	12,0
	1078/9S	18,2	25,5	22,0	22,7	33,0	22,3	14,7	14,2	24,0	22,0	15,9	21,1
Piston Pilot Operated	1034/3S	1,82	2,55	2,20	2,27	3,30	2,23	1,47	1,42	2,40	2,20	1,59	2,11
	1038/3S												
	1038/M10S												
	1040/4S	4,37	6,12	5,28	5,45	7,92	5,35	3,53	3,41	5,76	5,28	3,82	5,06
	1040/5S	5,46	7,65	6,60	6,81	9,90	6,69	4,41	4,26	7,20	6,60	4,77	6,33
	1048/M12S	4,37	6,12	5,28	5,45	7,92	5,35	3,53	3,41	5,76	5,28	3,82	5,06
	1048/4S												
	1048/5S	5,46	7,65	6,60	6,81	9,90	6,69	4,41	4,26	7,20	6,60	4,77	6,33
	1050/5S	6,9	9,7	8,4	8,6	12,5	8,5	5,6	5,4	9,1	8,4	6,0	8,0
	1050/6S	8,7	12,2	10,6	10,9	15,8	10,7	7,1	6,8	11,5	10,6	7,6	10,1
	1058/5S	6,9	9,7	8,4	8,6	12,5	8,5	5,6	5,4	9,1	8,4	6,0	8,0
	1058/6S	8,7	12,2	10,6	10,9	15,8	10,7	7,1	6,8	11,5	10,6	7,6	10,1
	1058/7S	10,4	14,5	12,5	12,9	18,8	12,7	8,4	8,1	13,7	12,5	9,1	12,0
	1098/9S	18,2	25,5	22,0	22,7	33,0	22,3	14,7	14,2	24,0	22,0	15,9	21,1
	1078/11S	29,1	40,8	35,2	36,3	52,8	35,7	-	22,7	38,4	35,2	25,4	33,8
	1078/13S	45,5	63,8	55,0	56,8	82,5	55,8	-	35,5	60,0	55,0	39,8	52,8
1078/M42S													

Standard rating conditions according to AHRI Standard 760-2007

Continued

Condensing temperature	110 °F	(43,3 °C)	Temperature leaving evaporator	50 °F	(9,9 °C)
Liquid temperature	100 °F	(37,8 °C)	Evaporator superheating	10 °R	(5,5 °K)
Subcooling	10 °R	(5,5 °K)	Suction line temperature	65 °F	(18,3 °C)
Evaporating temperature	40 °F	(4,4 °C)	Suction superheating	15 °R	(8,4 °K)
			Discharge temperature	160 °F	(71,1 °C)

**TABLE 15: Refrigerant flow capacity of NO valves [kW]**

Operating Principles	Catalogue Number	Hot Gas line											
		R134a	R22	R404A	R407C	R410A	R507	R1234yf	R1234ze	R448A	R449A	R450A	R452A
Diaphragm Pilot Operated	1064/3S	6,8	9,0	7,7	9,5	10,9	7,6	5,3	5,5	9,4	8,6	6,1	8,0
	1068/3S												
	1068/M10S												
	1070/4S	18,7	24,6	21,1	26,2	29,9	21,0	14,6	15,1	26,0	23,7	16,8	22,0
	1070/5S	22,2	29,2	25,1	31,1	35,5	24,9	17,3	17,9	30,8	28,1	20,0	26,0
	1078/M12S	18,7	24,6	21,1	26,2	29,9	21,0	14,6	15,1	26,0	23,7	16,8	22,0
	1078/4S												
	1078/5S	22,2	29,2	25,1	31,1	35,5	24,9	17,3	17,9	30,8	28,1	20,0	26,0
	1090/5S	32,3	42,6	36,5	45,2	51,7	36,3	25,2	26,0	44,8	41,0	29,1	37,9
	1090/6S	40,8	53,8	46,1	57,1	65,3	45,8	31,9	32,9	56,6	51,7	36,7	47,9
	1098/5S	32,3	42,6	36,5	45,2	51,7	36,3	25,2	26,0	44,8	41,0	29,1	37,9
	1098/6S	40,8	53,8	46,1	57,1	65,3	45,8	31,9	32,9	56,6	51,7	36,7	47,9
	1098/7S	48,5	63,8	54,7	67,8	77,5	54,4	37,8	39,0	67,3	61,4	43,6	56,9
	1078/9S	85,0	112,0	96,0	119,0	136,0	95,4	66,4	68,5	118,0	107,8	76,5	99,8
Piston Pilot Operated	1034/3S	8,5	11,2	9,6	11,9	13,6	9,5	6,6	6,9	11,8	10,8	7,7	10,0
	1038/3S												
	1038/M10S												
	1040/4S	20,4	26,9	23,0	28,6	32,6	22,9	15,9	16,4	28,3	25,9	18,4	24,0
	1040/5S	25,5	33,6	28,8	35,7	40,8	28,6	19,9	20,6	35,4	32,3	23,0	29,9
	1048/M12S	20,4	26,9	23,0	28,6	32,6	22,9	15,9	16,4	28,3	25,9	18,4	24,0
	1048/4S												
	1048/5S	25,5	33,6	28,8	35,7	40,8	28,6	19,9	20,6	35,4	32,3	23,0	29,9
	1050/5S	32,3	42,6	36,5	45,2	51,7	36,3	25,2	26,0	44,8	41,0	29,1	37,9
	1050/6S	40,8	53,8	46,1	57,1	65,3	45,8	31,9	32,9	56,6	51,7	36,7	47,9
	1058/5S	32,3	42,6	36,5	45,2	51,7	36,3	25,2	26,0	44,8	41,0	29,1	37,9
	1058/6S	40,8	53,8	46,1	57,1	65,3	45,8	31,9	32,9	56,6	51,7	36,7	47,9
	1058/7S	48,5	63,8	54,7	67,8	77,5	54,4	37,8	39,0	67,3	61,4	43,6	56,9
	1098/9S	85,0	112,0	96,0	119,0	136,0	95,4	66,4	68,5	118,0	107,8	76,5	99,8
	1078/11S	136,0	179,2	153,6	190,4	217,6	152,6	-	109,6	188,8	172,5	122,4	159,7
	1078/13S	212,5	280,0	240,0	297,5	340,0	238,5	-	171,3	295,0	269,5	191,3	249,5
1078/M42S													

Standard rating conditions according to AHRI Standard 760-2007

Condensing temperature	110 °F	(43,3 °C)	Temperature leaving evaporator	50 °F	(9,9 °C)
Liquid temperature	100 °F	(37,8 °C)	Evaporator superheating	10 °R	(5,5 °K)
Subcooling	10 °R	(5,5 °K)	Suction line temperature	65 °F	(18,3 °C)
Evaporating temperature	40 °F	(4,4 °C)	Suction superheating	15 °R	(8,4 °K)
			Discharge temperature	160 °F	(71,1 °C)

# CHAPTER 5 ■

## NORMALLY-CLOSED SOLENOID VALVES

### FOR REFRIGERATION PLANTS THAT USE HC REFRIGERANTS



#### APPLICATION

The solenoid valves illustrated in this chapter have been developed by Castel for all those refrigeration applications that use the following HC refrigeration fluids: R290, R600, R600a, belonging to Group 1, defined in Article 13, Chapter 1, Point (a) of Directive 2014/68/EU, with reference to EC Regulation No. 1272/2008.

**The solenoid valves with an “N” suffix (1028N, 1068N, 1078N, 1079N, 1098N, 1099N) must be employed only in refrigeration systems located in areas not classified as at risk of explosion, according to the definition in Annex I of Directive 1999/92/EC.**

**The solenoid valves with an “EX” suffix (1028EX, 1068EX, 1078EX, 1079EX, 1098EX, 1099EX) comply with the European Standard EN 13463-1:2009 and, therefore, comply with the ESR of Directive 2014/34/EU – ATEX. This equipment is suitable for use on refrigeration systems located in areas classified as “Zone 2” risk of explosion, according to the definition in Annex I of Directive 1999/92/EC.**

**CAUTION!: The solenoid valves in this chapter cannot be used with mineral oils or alkylbenzene oils.**

#### OPERATION

The valves listed in this chapter are normally closed valves (NC). This means that when the coil is not energised, the plunger closes the fluid flow. When the coil is energised, the plunger opens the valve seat connecting the inlet to the outlet.

All valves with an “N” suffix are sold in the version without coil (with the S suffix), and in the version with series 9300,

type HF2 - “FAST LOCK” coils (A6 suffix with coil 9300/RA6-220/230 VAC).

All valves with an “EX” suffix are sold only in the version with coil series 9100EX (A6 suffix with coil, 9100EX-220/230 VAC, ATEX certified).

The valves series 1028N and 1028EX are direct acting valves. Their operation depends only on the magnetic field produced by the current flow into the coil. Opening/closing of main valve seat, the only seat, is directly controlled by the mobile plunger.

**These valves can work with zero pressure differential.**

Valves 1068N, 1068EX, 1078N, 1078EX, 1079N, 1079EX, 1098N/7, 1098EX/7, 1099N/9, and 1099EX/9 are pilot-operated diaphragm solenoid valves. Their operation depends not only on the magnetic field produced by the current flow into the coil, but also on a minimum inlet pressure, which is necessary to:

- open the diaphragm and keep it lifted off the main opening
- close the diaphragm and ensure the tightness on the main opening

Opening/closing of main valve seat is controlled by the diaphragm while opening/closing of pilot seat is controlled by the mobile plunger of the coil.

**These valves cannot work with zero differential pressure.**

The valves 1098N/9, 1098EX/9, 1099N/11, and 1099EX/11 are pilot-operated piston solenoid valves. Their operation depends not only on the magnetic field produced by the current flow into the coil, but also on a minimum inlet pressure, which is necessary to:



- open the piston and keep it lifted off the main opening
- close the piston and ensure the tightness on the main opening

Opening/closing of main valve seat is controlled by the piston, while opening/closing of pilot seat is controlled by the mobile plunger of the coil.

**These valves cannot work with zero differential pressure.**

## CONSTRUCTION

The main parts of the valves are constructed with the following materials:

- Hot forged brass EN 12420 – CW 617N for body and cover
- Copper tube EN 12735-1 – Cu-DHP for solder connections
- Austenitic stainless steel EN 10088-2 – 1.4303 for enclosure where the plunger moves
- Ferritic stainless steel EN 10088-3 – 1.4105 for the plunger
- Austenitic stainless steel EN ISO 3506 – A2-70 for tightening screws between body and cover.
- Hydrogenated nitrile butadiene rubber (HNBR) for outlet seal gaskets
- P.T.F.E. for seat gaskets

All solenoid valves with an “EX” suffix are also equipped with:

- Identification label for compliance of the valve to the ATEX Directive.
- Operating instructions regarding installation of the valve in areas classified as at risk of explosion.
- Operating instructions regarding installation of the coil in areas classified as at risk of explosion.

## INSTALLATION

The valves series 1028N, 1028EX, 1068N, 1068EX, 1078N, 1078EX, 1079N, 1079EX, 1098N, 1098EX, 1099N, and 1099EX can be installed on the three main branches of a system (hot gas line, liquid line, and suction line), while respecting the limits of use and the capacities indicated in TABLE 18.

TABLE 16 shows the following functional characteristics of a solenoid valve:

- Connections
- PS: maximum allowable pressure
- TS: maximum / minimum allowable temperature
- Kv: discharge factor
- minOPD: minimum Opening Pressure Differential. This is the minimum pressure differential between inlet and outlet at which a pilot-operated solenoid valve can open and stay opened or close and maintain the seal.
- MOPD: maximum Opening Pressure Differential according to AHRI STANDARD 760 : 2014. This is the maximum pressure differential between inlet and outlet at which a solenoid valve can open.

Before connecting the valve to the pipe, it is advisable to make sure that the refrigerating system is clean. In fact, valves with P.T.F.E. gaskets, and particularly piston valves, are sensitive to dirt and debris. Furthermore, check that the flow direction in the pipe corresponds to the arrow stamped on the valve body. All the valves can be mounted in any position so long as the coil does not point downwards. The brazing of valves with solder connections should be carried out with care, using a low melting point filler material. It is not necessary to disassemble the valves before brazing, but it is important to avoid direct contact between the torch flame and the valve body, which could be damaged and compromise the proper functioning of the valve.

Before connecting a valve to the electrical system, be sure that the line voltage and frequency correspond to the values marked on the coil.



### **N.B.: PRODUCT SUITABLE FOR HYDROCARBON REFRIGERANTS**

The products in this chapter can be used with HC refrigerants classified as flammable fluids and that are in Safety Group A3 according to Standard EN 378-1:2016.

These products must be used exclusively in refrigeration systems that comply with the current regulations for flammable refrigerant fluids (series EN 60335).

Installation, maintenance and repair operations must be performed only by authorized personnel, qualified to work on flammable refrigeration systems.

**Note: In the specific case of solenoid valves with an “EX” suffix, the personnel must carefully follow the operating instructions provided in the packaging of said valves.**

## TRACEABILITY

Direct action valves in series 1028N are identified by laser marking on the valve enclosure of the mobile plunger. This marking includes the following data: valve code, refrigerants, PS, TS, and production lot.

The pilot-operated diaphragm and piston solenoid valves in series 1068N, 1078N, 1079N, 1098N, and 1099N are identified by a plastic label fit on the valve enclosure of the mobile plunger. This label includes the following data: valve code, refrigerants, PS, TS, and production lot.

The direct action valves in series 1028EX and the pilot-operated diaphragm and piston solenoid valves in series 1068EX, 1078EX, 1079EX, 1098EX, and 1099EX are identified by a plastic label fit on the valve enclosure of the mobile plunger, below the coil. This label provides the following information: valve code, PS, TA, type of ATEX certification, ATEX certification file number.

**TABLE 16: General characteristics of NC valves with ODS connections, for HC (R290 , R600 , R600a)**

Operating Principles	Catalogue Number		Connections ODS		Seat size nominal Ø [mm]	Kv Factor [m³/h]	Opening Pressure Differential [bar]				PS [bar]	TS [°C]		TA [°C]		Risk Category according to PED Recast	
	ATEX No compliance	ATEX Compliance for use in EX Zone 2	Ø [in.]	Ø [mm]			min OPD	MOPD				min.	max.	min. (1)	max.		
								coil series									
								9100 9100EX 9110 9110EX 9300 (AC)	9160 (AC)	9120 9320 (AC)							9120 9320 (DC)
Direct Acting	1028N/2#	1028EX/2A6	1/4"	–	2,2	0,15	0	21	28	35	21	45	– 40	+130	– 40	+50	Art. 4.3
	1028N/2#.E	1028EX/2A6.E	1/4"	–	3	0,23											
	1028N/3#	1028EX/3A6	3/8"	–													
	1028N/M10#	1028EX/M10A6	–	10													
Diaphragm Pilot Operated	1068N/3#	1068EX/3A6	3/8"	–	6,5	0,80	0,05	21	28	35	18	45	– 40	+120	– 40	+50	Art. 4.3
	1068N/M10#	1068EX/M10A6	–	10													
	1068N/M12#	1068EX/M12A6	–	12													
	1068N/4#	1068EX/4A6	1/2"	–													
	1078N/M12#	1078EX/M12A6	–	12	12,5	2,20					13						
	1078N/4#	1078EX/4A6	1/2"	–													
	1078N/5#	1078EX/5A6	5/8"	16	16,5	3,80					10						
	1079N/7#	1079EX/7A6	7/8"	22													
	1098N/5#	1098EX/5A6	5/8"	16													
	1098N/6#	1098EX/6A6	3/4"	–	16,5	4,80											
	1098N/7#	1098EX/7A6	7/8"	22													
	1099N/9#	1099EX/9A6	1.1/8"	–	25,5	5,70					13						
	1078N/9#	1078EX/9A6	1.1/8"	–													
1079N/11#	1079EX/11A6	1.3/8"	35														
Piston Pilot Operated	1098N/9#	1098EX/9A6	1.1/8"	–	25	10	0,1	21	28	35	18	45	– 40	+120	– 40	+50	Art. 4.3
	1099N/11#	1099EX/11A6	1.3/8"	35													

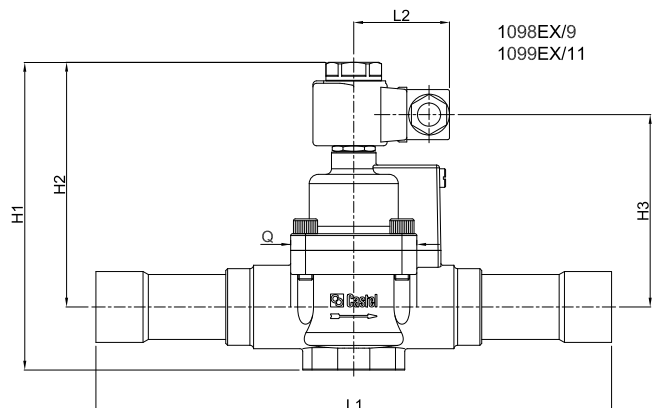
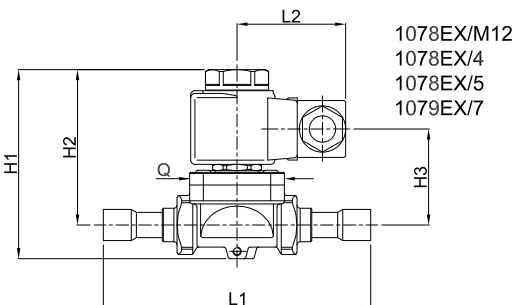
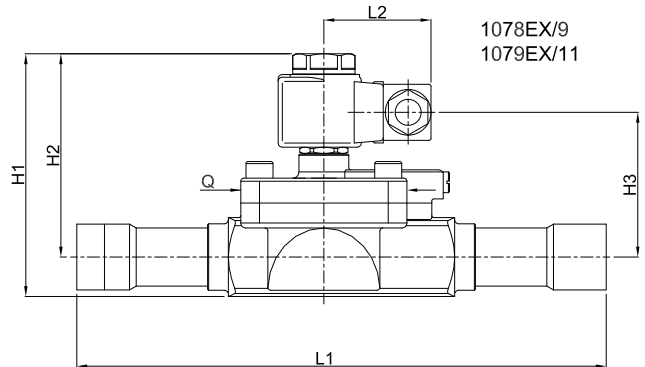
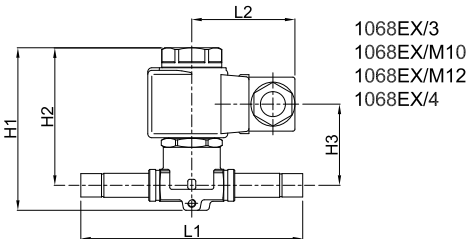
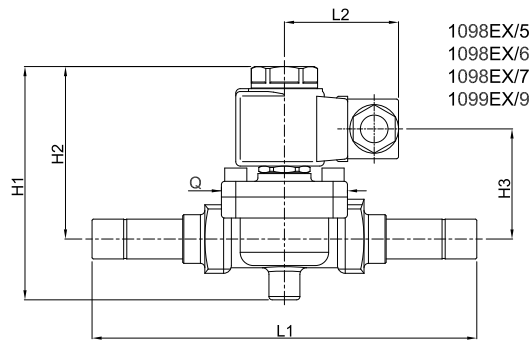
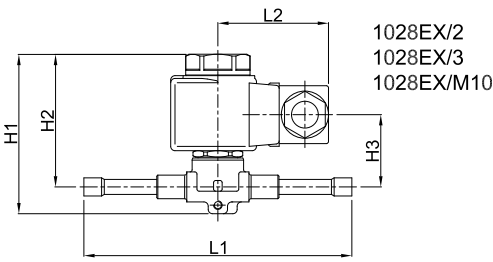
# = S , A6

 (3) Check TA<sub>min</sub> of the chosen coil

**TABLE 17: Dimensions and weights of NC valves for HC, with 9300 coils (1)**

Operating Principles	Catalogue Number		Dimensions [mm]					Weight [g]			
			H <sub>1</sub>	H <sub>2</sub>	H <sub>3</sub>	L <sub>1</sub>	L <sub>2</sub>		Q		
Direct Acting	1028N/2#	1028EX/2A6	75	62,5	34	125	52	-	350		
	1028N/2#.E	1028EX/2A6.E							350		
	1028N/3#	1028EX/3A6							365		
	1028N/M10#	1028EX/M10A6							365		
Diaphragm Pilot Operated	1068N/3#	1068EX/3A6	82	69,5	40	111	52	-	400		
	1068N/M10#	1068EX/M10A6				111			395		
	1068N/M12#	1068EX/M12A6				127			420		
	1068N/4#	1068EX/4A6				127			420		
	1078N/M12#	1078EX/M12A6	91	75	47	127			45	690	
	1078N/4#	1078EX/4A6				127				680	
	1078N/5#	1078EX/5A6				175				775	
	1079N/7#	1079EX/7A6	106	78	50	190				57	765
	1098N/5#	1098EX/5A6				175					995
	1098N/6#	1098EX/6A6				175					1185
	1098N/7#	1098EX/7A6				180			1170		
	1099N/9#	1099EX/9A6				216			1225		
	Piston Pilot Operated	1078N/9#	1078EX/9A6	115	96	72			250	80	2565
		1079N/11#	1079EX/11A6						292		2620
		1098N/9#	1098EX/9A6	157	127	99			235		60
1099N/11#	1099EX/11A6	277	2130								

(1) : With coil 9320 the dimension L<sub>2</sub> is equal to 64 mm and the weights must be increased of 500 g.



**TABLE 18: Refrigerant flow capacity of NC valves for HC [kW]**

Operating Principles	Catalogue Number		Liquid line			Suction line			Hot Gas line		
			R290	R600	R600a	R290	R600	R600a	R290	R600	R600a
Direct Acting	1028N/2#	1028EX/2A6	3,06	3,59	3,18	-	-	-	1,91	0,97	1,12
	1028N/2#.E	1028EX/2A6.E	4,69	5,50	4,88				2,93	1,49	1,71
	1028N/3#	1028EX/3A6									
	1028N/M10#	1028EX/M10A6									
Diaphragm Pilot Operated	1068N/3#	1068EX/3A6	16,3	19,1	17,0	2,44	1,03	1,26	10,2	5,2	6,0
	1068N/M10#	1068EX/M10A6									
	1068N/M12#	1068EX/M12A6									
	1068N/4#	1068EX/4A6									
	1078N/M12#	1078EX/M12A6	44,8	52,6	46,6	6,71	2,84	3,48	28,1	14,2	16,4
	1078N/4#	1078EX/4A6	53,2	62,4	55,3	7,96	3,37	4,12	33,3	16,9	19,4
	1078N/5#	1078EX/5A6									
	1079N/7#	1079EX/7A6									
	1098N/5#	1098EX/5A6	77,4	90,8	80,6	11,6	4,9	6,0	48,5	24,5	28,3
	1098N/6#	1098EX/6A6	97,8	114,7	101,8	14,6	6,2	7,6	61,2	31,0	35,7
	1098N/7#	1098EX/7A6	116,2	136,2	120,8	17,4	7,4	9,0	72,7	36,8	42,4
	1099N/9#	1099EX/9A6									
	1078N/9#	1078EX/9A6									
	1079N/11#	1079EX/11A6	203,8	239,0	212,0	30,5	12,9	15,8	127,6	64,6	74,4
Piston Pilot Operated	1098N/9#	1098EX/9A6	203,8	239,0	212,0	30,5	12,9	15,8	127,6	64,6	74,4
	1099N/11#	1099EX/11A6									

Standard rating conditions according to AHRI Standard 760-2007

Condensing temperature	110 °F	(43,3 °C)	Temperature leaving evaporator	50 °F	(9,9 °C)
Liquid temperature	100 °F	(37,8 °C)	Evaporator superheating	10 °R	(5,5 °K)
Subcooling	10 °R	(5,5 °K)	Suction line temperature	65 °F	(18,3 °C)
Evaporating temperature	40 °F	(4,4 °C)	Suction superheating	15 °R	(8,4 °K)
			Discharge temperature	160 °F	(71,1 °C)

# CHAPTER 6

## NORMALLY-CLOSED SOLENOID VALVES

### FOR REFRIGERATION PLANTS THAT USE THE R744 REFRIGERANT



#### APPLICATION

The solenoid valves illustrated in this chapter have been developed by Castel for all the applications that use the sub-critical R744 refrigeration fluid belonging to Group 2, defined in Article 13, Chapter 1, Point (b) of Directive 2014/68/EU, with reference to EC Regulation No. 1272/2008.

**ATTENZIONE!: CAUTION!: the solenoid valves in this chapter cannot be used with other refrigerant fluids.**

#### OPERATION

The valves listed in this chapter are normally closed valves (NC). This means that when the coil is not energised, the plunger closes the fluid flow. When the coil is energised, the plunger opens the valve seat connecting the inlet to the outlet.

All the valves are exclusively sold in the model without coil (suffix S). These valves can be coupled with the coils in series 9120 and 9320.

The valves series 1028EL are direct acting valves. Their operation depends only on the magnetic field produced by the current flow into the coil. Opening/closing of main valve seat, the only seat, is directly controlled by the mobile plunger.

**These valves can work with zero pressure differential.**

The valves in series 1038EL, 1048EL, and 1058EL are pilot-operated piston solenoid valves. Their operation depends not only on the magnetic field produced by the current flow into the coil, but also on a minimum inlet pressure, which is necessary to:

- open the piston and keep it lifted off the main opening

- close the piston and ensure the tightness on the main opening

Opening/closing of main valve seat is controlled by the piston, while opening/closing of pilot seat is controlled by the mobile plunger of the coil.

**These valves cannot work with zero differential pressure.**

#### CONSTRUCTION

The main parts of the valves are constructed with the following materials:

- Hot forged brass EN 12420 – CW 617N for body and cover
- Copper tube EN 12735-1 – Cu-DHP for solder connections
- Austenitic stainless steel EN 10088-2 – 1.4303 for enclosure where the plunger moves
- Ferritic stainless steel EN 10088-3 – 1.4105 for the plunger
- Austenitic stainless steel EN ISO 3506 – A2-70 for tightening screws between body and cover.
- Ethylene propylene rubber (EPDM) for outlet seal gaskets
- P.T.F.E. for seat gaskets

#### INSTALLATION

The valves series 1028EL, 1038EL, 1048EL and 1058EL can be installed on the three main branches of a system (hot gas line, liquid line, and suction line), while respecting the limits of use and the capacities indicated in TABLE 21.

TABLE 19 shows the following functional characteristics of a solenoid valve:

- Connections
- PS: maximum allowable pressure
- TS: maximum / minimum allowable temperature

- Kv: discharge factor
- minOPD: minimum Opening Pressure Differential. This is the minimum pressure differential between inlet and outlet at which a pilot-operated solenoid valve can open and stay opened or close and maintain the seal.
- MOPD: maximum Opening Pressure Differential according to AHRI STANDARD 760 : 2014. This is the maximum pressure differential between inlet and outlet at which a solenoid valve can open.

Before connecting the valve to the pipe, it is advisable to make sure that the refrigerating system is clean. In fact, valves with P.T.F.E. gaskets, and particularly piston valves, are sensitive to dirt and debris. Furthermore, check that the flow direction in the pipe corresponds to the arrow stamped on the valve body. All the valves can be mounted in any position so long as the coil does not point downwards. The brazing of valves with solder connections should be carried out with care, using a low melting point filler material. It is

not necessary to disassemble the valves before brazing, but it is important to avoid direct contact between the torch flame and the valve body, which could be damaged and compromise the proper functioning of the valve. Before connecting a valve to the electrical system, be sure that the line voltage and frequency correspond to the values marked on the coil.

## TRACEABILITY

Direct action valves in series 1028EL are identified by laser marking on the valve enclosure of the mobile plunger. This marking includes the following data: valve code, refrigerants, PS, TS, and production lot.

The pilot-operated piston solenoid valves in series 1038EL, 1048EL and 1058EL are identified by a plastic label fit on the valve enclosure of the mobile plunger. This label includes the following data: valve code, refrigerants, PS, TS, and production lot.

TABLE 19: General characteristics of NC valves with ODS connections, for R744

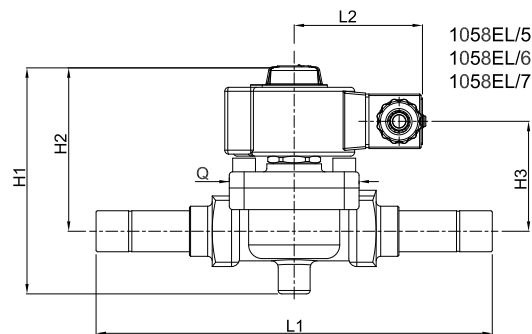
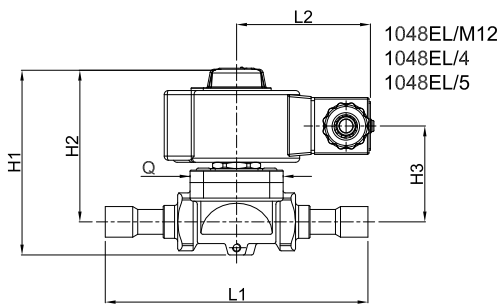
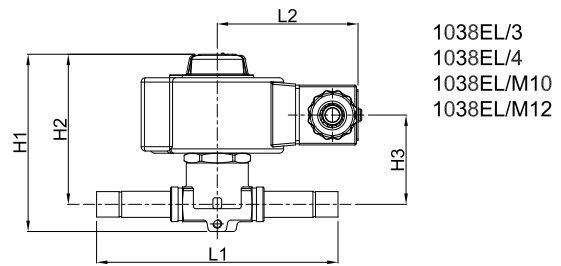
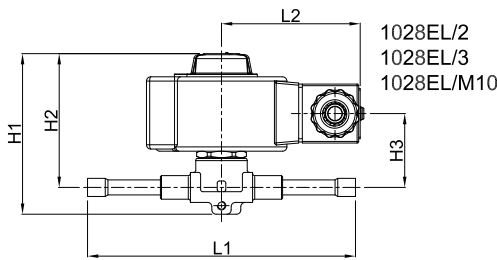
Operating Principles	Catalogue Number	Connections ODS		Seat size nominal $\emptyset$ [mm]	Kv Factor [m <sup>3</sup> /h]	Opening Pressure Differential [bar]			PS [bar]	TS [°C]		TA [°C]		Risk Category according to PED Recast	
		$\emptyset$ [in.]	$\emptyset$ [mm]			min OPD	MOPD			min.	max.	min.	max.		
							Coil series								
							9120 9320 (AC)	9120 9320 (DC)							
Direct Acting	1028EL/2S	1/4"	–	2,2	0,15	0	35	21	60	-40	+130	-40	+50	Art. 4.3	
	1028EL/2S.E	1/4"	–	3	0,23										
	1028EL/3S	3/8"	–												
	1028EL/M10S	–	10												
Piston Pilot Operated	1038EL/3S	3/8"	–	6,5	1,00	0,05	35	18	60	-40	+130	-40	+50	Art. 4.3	
	1038EL/M10S	–	10												
	1038EL/M12S	–	12												
	1038EL/4S	1/2"	–												
	1048EL/M12S	–	12	12,5	2,40	0,07	35	18	60	-40	+130	-40	+50	Art. 4.3	
	1048EL/4S	1/2"	–												
	1048EL/5S	5/8"	16	16,5	3,00										
	1058EL/5S	5/8"	16												3,80
	1058EL/6S	3/4"	–												
	1058EL/7S	7/8"	22	5,70											

(3) Check TA<sub>min</sub> of the chosen coil

**TABLE 20: Dimensions and weights of NC valves for R744, with 9320 coils**

Operating Principles	Catalogue Number	Dimensions [mm]						Weight [g]
		H <sub>1</sub>	H <sub>2</sub>	H <sub>3</sub>	L <sub>1</sub>	L <sub>2</sub>	Q	
Direct Acting	1028EL/2S	75	62,5	34	125	65	-	677
	1028EL/2S.E				125			677
	1028EL/3S				125			691
	1028EL/M10S				125			691
Piston Pilot Operated	1038EL/3S	92,5	80,0	50,5	111	65	-	765
	1038EL/M10S				111			765
	1038EL/M12S				127			786
	1038EL/4S				127			786
	1048EL/M12S	100,5	84,5	56,5	127		45	1074
	1048EL/4S				127			1074
	1048EL/5S				175			1138
	1058EL/5S	100,5	84,5	56,5	175		57	1574
	1058EL/6S				175			1616
1058EL/7S	180				1470			

Connectors are not included in the boxes and have to be ordered separately



**TABLE 21: Refrigerant flow capacity of NC valves for R744 [kW]**

Operating Principles	Catalogue Number	Liquid line	Suction line	Hot Gas line
		R744	R744	R744
Direct Acting	1028EL/2S	4,02	5,30	3,03
	1028EL/2S.E			4,64
	1028EL/3S			
	1028EL/M10S			
Piston Pilot Operated	1038EL/3S	26,8	5,30	20,2
	1038EL/M10S			
	1038EL/M12S			
	1038EL/4S			
	1048EL/M12S	64,3	12,72	48,4
	1048EL/4S			
	1048EL/5S			
	1058EL/5S	80,4	15,90	60,5
	1058EL/6S	101,8	20,14	76,7
1058EL/7S	128,6	25,44	96,9	
	152,8	30,21	115,0	

Standard rating conditions according to AHRI Standard 760-2007

Condensing temperature	30 °F (-1,2 °C)	Temperature leaving evaporator	-10 °F (-23,4°C)
Liquid temperature	20 °F (-6,7 °C)	Evaporator superheating	10 °R (5,5 °K)
Subcooling	10 °R (5,5 °K)	Suction line temperature	-5 °F (-15 °C)
Evaporating temperature	-20 °F (-28,9°C)	Suction superheating	15 °R (8,4 °K)
		Discharge temperature	80 °F (26,6°C)

# CHAPTER 7 ■

## NORMALLY-CLOSED SOLENOID VALVES

### CERTIFIED BY UNDERWRITERS LABORATORIES INC.

#### FOR REFRIGERATION PLANTS THAT USE HCFC, HFC OR HFO REFRIGERANTS



#### APPLICATION

The solenoid valves illustrated in this chapter are designed for installation on commercial refrigeration systems and on civil and industrial air conditioning plants that use the following refrigerant fluids:

- HCFC (R22)
- HFC (R134a , R404A , R407C , R410A , R507)
- HFO and HFO/HFC mixtures (R1234ze , R448A , R449A , R450A , and R452A)

belonging to Group 2, as defined in Article 13, Chapter 1, Point (b) of Directive 2014/68/EU, with reference to EC Regulation No. 1272/2008.

For specific applications with refrigerant fluids not listed above, please contact Castel Technical Department.

#### OPERATION

The valves listed in this chapter are normally closed valves (NC). This means that when the coil is not energised, the plunger closes the fluid flow. When the coil is energised, the plunger opens the valve seat connecting the inlet to the outlet.

All the above valves are exclusively sold in the model without coil (S suffix).

These valves must be coupled with the coils in series 9105, 9115, 9116, 9125, 9185, and 9186.

The valves series 1020UL and 1028UL are direct acting valves. Their operation depends only on the magnetic field produced by the current flow into the coil. Opening/closing of main valve seat, the only seat, is directly controlled by the mobile plunger.

**These valves can work with zero pressure differential.**

The valves series 1064UL, 1068UL, 1070UL, 1078UL (excluded /11, /13, and /M42), 1079UL (excluded /13, /M42, and /17), 1090UL, 1098UL (excluded /9) and 1099UL (excluded /11) are pilot-operated diaphragm solenoid valves. Their operation depends not only on the magnetic field produced by the current flow into the coil, but also on a minimum inlet pressure, which is necessary to:

- open the diaphragm and keep it lifted off the main opening
- close the diaphragm and ensure the tightness on the main opening

Opening/closing of main valve seat is controlled by the diaphragm while opening/closing of pilot seat is controlled by the mobile plunger of the coil.

**These valves cannot work with zero differential pressure.**

The valve series 1034UL, 1038UL, 1040UL, 1048UL, 1049UL, 1050UL, 1058UL, 1059UL, 1078UL (/11, /13, and /M42), 1079UL (/13, /M42, and /17), 1098/9UL, and 1099/11UL are pilot-operated piston solenoid valves. Their operation depends not only on the magnetic field produced by the current flow into the coil, but also on a minimum inlet pressure, which is necessary to:

- open the piston and keep it lifted off the main opening
- close the piston and ensure the tightness on the main opening

Opening/closing of main valve seat is controlled by the piston, while opening/closing of pilot seat is controlled by the mobile plunger of the coil.

**These valves cannot work with zero differential pressure.**



## CONSTRUCTION

The main parts that make up the solenoid valves presented in this chapter are constructed with the following materials:

- Hot forged brass EN 12420 – CW 617N for body and cover
- Copper tube EN 12735-1 – Cu-DHP for solder connections
- Austenitic stainless steel EN 10088-2 – 1.4303 for enclosure where the plunger moves
- Ferritic stainless steel EN 10088-3 – 1.4105 for the plunger
- Austenitic stainless steel EN ISO 3506 – A2-70 for tightening screws between body and cover.
- Chloroprene rubber (CR) for the outlet seal gaskets
- P.T.F.E. for seat gaskets

## INSTALLATION

All the valves in this chapter can be installed on the three main branches of a plant (hot gas line, liquid line, and suction line), while respecting the limits of use indicated in TABLES 22 and 23 and the capacities indicated in TABLE 25. TABLES 22 and 23 show the following functional characteristics of a solenoid valve:

- Connection dimensions
- PS: maximum allowable pressure of the refrigerant
- TS: maximum / minimum allowable temperature of the refrigerant
- TA: maximum / minimum allowable ambient temperature
- Kv: discharge factor
- minOPD: minimum Opening Pressure Differential. This is the minimum pressure differential between inlet and outlet at which a pilot-operated solenoid valve can open and stay opened or close and maintain the seal.
- MOPD: maximum opening pressure differential according to AHRI STANDARD 760:2014. This is the maximum pressure differential between inlet and outlet at which a solenoid valve can open.

Before connecting the valve to the pipe, it is advisable to make sure that the refrigerating system is clean. In fact, valves with P.T.F.E. gaskets, and particularly piston valves, are sensitive to dirt and debris. Furthermore, check that the flow direction in the pipe corresponds to the arrow stamped on the valve body. All the valves can be mounted in any position so long as the coil does not point downwards. The brazing of valves with solder connections should be carried

out with care, using a low melting point filler material. It is not necessary to disassemble the valves before brazing, but it is important to avoid direct contact between the torch flame and the valve body, which could be damaged and compromise the proper functioning of the valve.

Before connecting a valve to the electrical system, be sure that the line voltage and frequency correspond to the values marked on the coil.

## APPROVALS

The solenoid valves series: 1020UL, 1028UL, 1034UL, 1038UL, 1040UL, 1048UL, 1049UL, 1050UL, 1058UL, 1059UL, 1064UL, 1068UL, 1070UL, 1078UL, 1079UL, 1090UL, 1098UL, and 1099UL have been approved by the American certification body Underwriters Laboratories Inc. The valves are certified **UL-CSA Listed** for the USA and Canada with file MH50005, in compliance with American standard UL 429 and Canadian standard C22.2 No. 139-13.

**N.B.: The UL Listed certification is valid only if the above-listed valves are coupled with the coils in series 9115, 9116, 9185, or 9186 illustrated in Chapter 11. If the same valves are coupled with coils in series 9105 and 9125, again illustrated in Chapter 11, a “UL Listed” certified valve is not obtained; rather, you obtain a “UL Recognized” certified valve.**

The coils in series 9105, 9115, 9116, 9125, 9185, and 9186 with voltages of 120 VAC, 208 VAC, 220/230 VAC, 240 VAC comply with the Low Voltage Directive, 2006/95/EC and the Electromagnetic Compatibility Directive (EMC) 2004/108/EC.

## TRACEABILITY

Direct action valves in series 1020 UL and 1028UL are identified by laser marking on the valve enclosure of the mobile plunger. This marking includes the following data: valve code, refrigerants, PS, TS, and production lot.

Pilot-operated diaphragm and piston valves in series 1034UL, 1038UL, 1040UL, 1048UL, 1049UL, 1050UL, 1058UL, 1059UL, 1064UL, 1068UL, 1070UL, 1078UL, 1079UL, 1090UL, 1098UL and 1099UL are identified by marking on the yellow locking ring-nut for the coil. The marking on the ring-nut includes the following data: valve code, PS, and production lot.

**TABLE 22: General characteristics of NC valves with SAE Flare connections, UL Listed approved**

Operating Principles	Catalogue Number	SAE Flare Connections	Seat size nominal Ø [mm]	Kv Factor [m³/h]	Opening Pressure Differential [bar]			PS [bar]	TS [°C]		TA [°C]		Risk Category according to PED Recast			
					min OPD	MOPD			min.	max.	min.	max.				
						coil series										
						9105 9115 9116 (AC)	9125 9185 9186 (AC)							9125 9185 9186 (DC)		
Direct Acting	1020UL/2S	1/4"	2,5	0,175	0	21	35	19	45	-35	+110 (2)	-20	+50	Art. 4.3		
	1020UL/3S	3/8"	3	0,23												
Diaphragm Pilot Operated	1064UL/3S	3/8"	6,5	0,80	0,05	21	35	18	45	-35	+105 (1)	-20	+50	Art. 4.3		
	1064UL/4S	1/2"														
	1070UL/4S	1/2"	12,5	2,20				18							41,5	
	1070UL/5S	5/8"	2,61	13				34,5								
	1090UL/5S	5/8"	3,80													
	1090UL/6S	3/4"	16,5												4,80	
Piston Pilot Operated	1034UL/3S	3/8"	6,5	1,00	0,05	21	35	19	45	-35	+110 (2)	-20	+50	Art. 4.3		
	1034UL/4S	1/2"														
	1040UL/4S	1/2"	12,5	2,40				18							41,5	
	1040UL/5S	5/8"	3,00													
	1050UL/5S	5/8"	3,80	13												41,5
	1050UL/6S	3/4"	16,5													

(1) Temperature peaks of 120 °C are allowed during defrosting

(2) Temperature peaks of 130 °C are allowed during defrosting

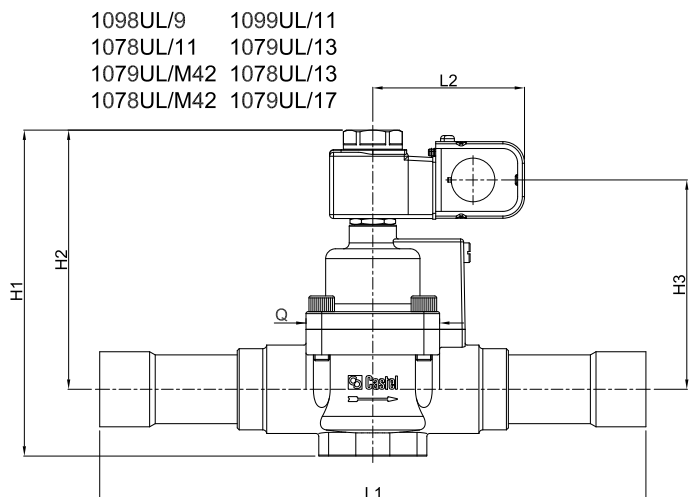
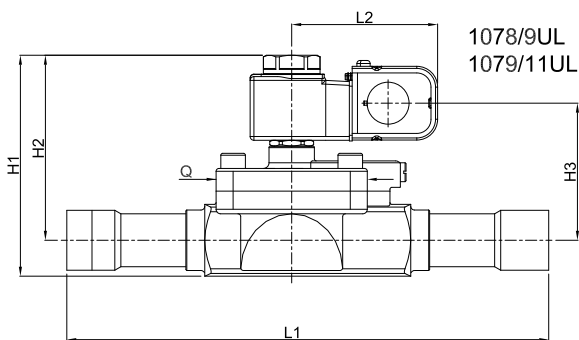
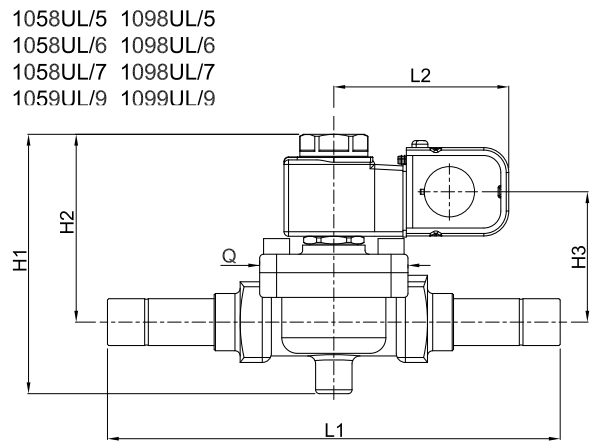
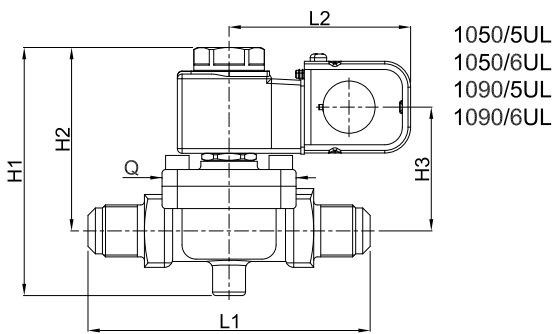
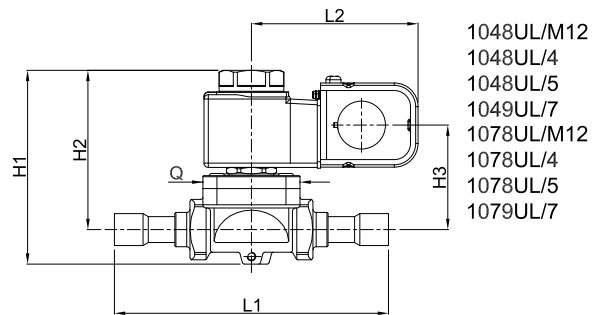
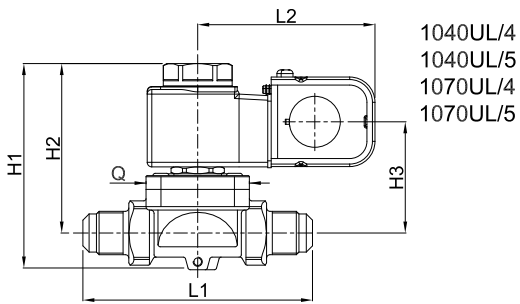
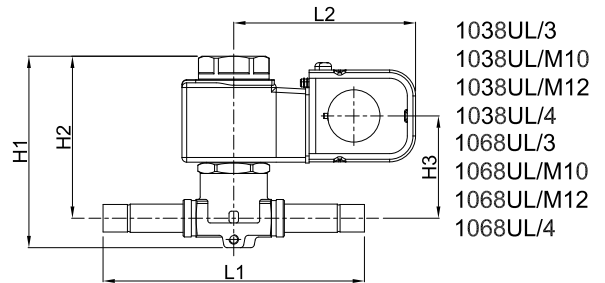
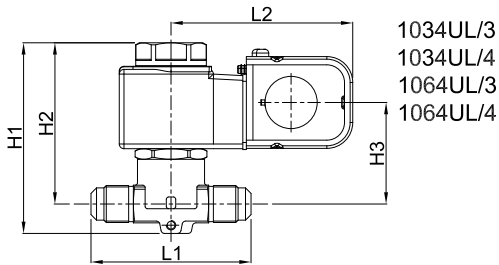
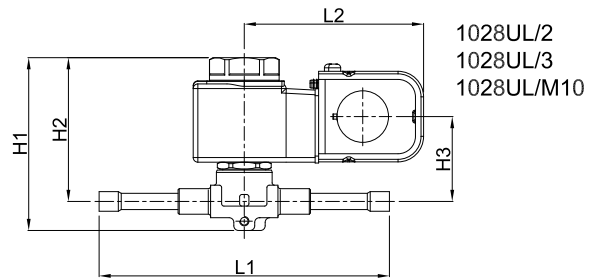
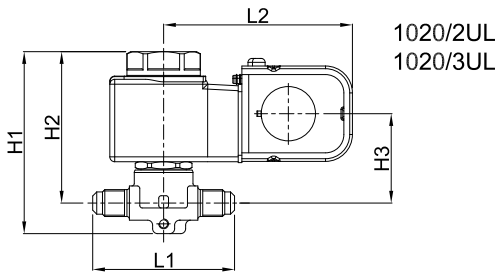
**TABLE 23: General characteristics of NC valves with ODS connections, UL Listed approved**

Operating Principles	Catalogue Number	Connections ODS		Seat size nominal Ø [mm]	Kv Factor [m³/h]	Opening Pressure Differential [bar]			PS [bar]	TS [°C]		TA [°C]		Risk Category according to PED Recast		
		Ø [in.]	Ø [mm]			min OPD	MOPD			min.	max.	min.	max.			
							coil series									
							9105 9115 9116 (AC)	9125 9185 9186 (AC)							9125 9185 9186 (DC)	
Direct Acting	1028UL/2S	1/4"	–	2,2	0,15	0	21	35	19	45	– 35	+110 (2)	–20	+50	Art. 4.3	
	1028UL/2S.E	1/4"	–	3	0,23											
	1028UL/3S	3/8"	–													
	1028UL/M10S	–	10													
Diaphragm Pilot Operated	1068UL/3S	3/8"	–	6,5	0,80	0,05	21	35	19	45	– 35	+105 (1)	–20	+50	Art. 4.3	
	1068UL/M10S	–	10													
	1068UL/M12S	–	12													
	1068UL/4S	1/2"	–													
	1078UL/M12S	–	12	12,5	2,20											
	1078UL/4S	1/2"	–													
	1078UL/5S	5/8"	16	16,5	2,61											
	1079UL/7S	7/8"	22													
	1098UL/5S	5/8"	16	16,5	3,80											
	1098UL/6S	3/4"	–						4,80							
	1098UL/7S	7/8"	22							13						34,5
1099UL/9S	1.1/8"	–														
Piston Pilot Operated	1038UL/3S	3/8"	–	6,5	1,00	0,05	21	35		19	45	– 35	+110 (2)	–20	+50	Art. 4.3
	1038UL/M10S	–	10													
	1038UL/M12S	–	12													
	1038UL/4S	1/2"	–													
	1048UL/M12S	–	12	12,5	2,40											
	1048UL/4S	1/2"	–													
	1048UL/5S	5/8"	16						0,07	18	41,5					
	1049UL/7S	7/8"	22													
	1058UL/5S	5/8"	16	16,5	3,80											
	1058UL/6S	3/4"	–													
	1058UL/7S	7/8"	22						5,70							
	1059UL/9S	1.1/8"	–													
	1098UL/9S	1.1/8"	–	25	10				0,1	18	34,5					
	1099UL/11S	1.3/8"	35													
	1078UL/11S	1.3/8"	35	27	16											
	1079UL/13S	1.5/8"	–													
	1079UL/M42S	–	42													
	1078UL/13S	1.5/8"	–						34	25	0,15					
	1078UL/M42S	–	42													
1079UL/17S	2.1/8"	54					I									

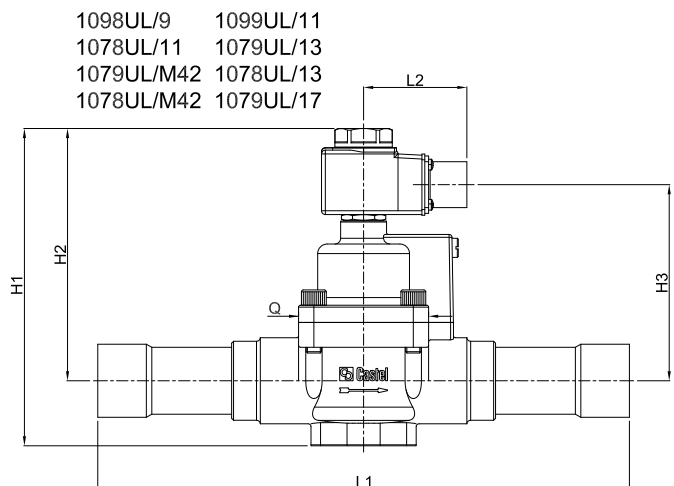
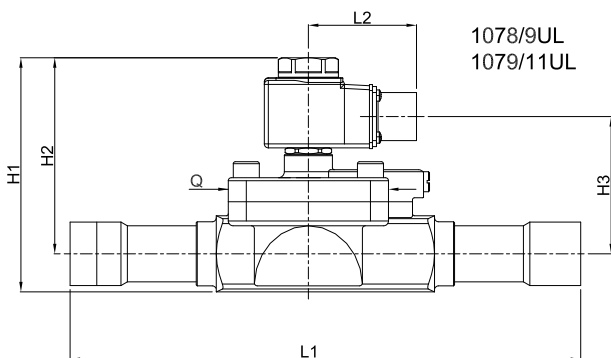
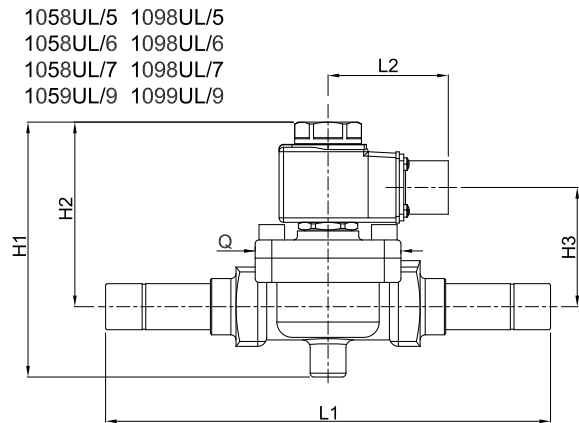
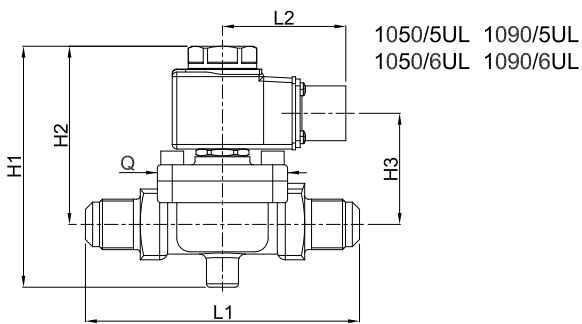
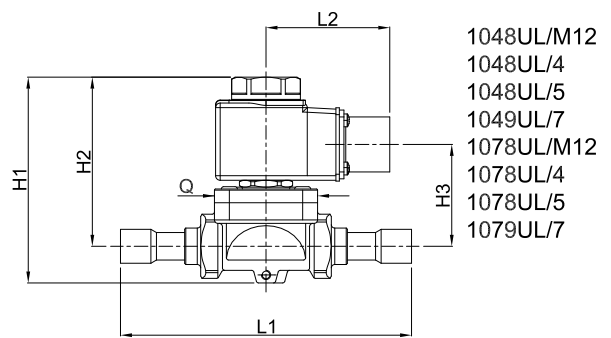
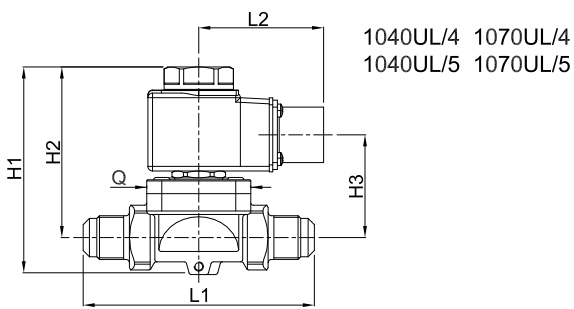
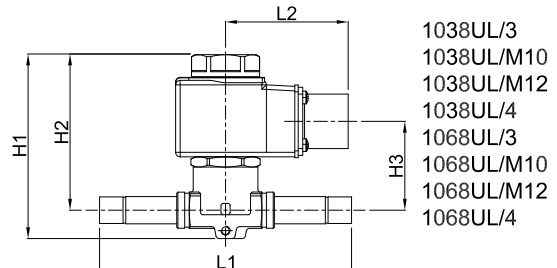
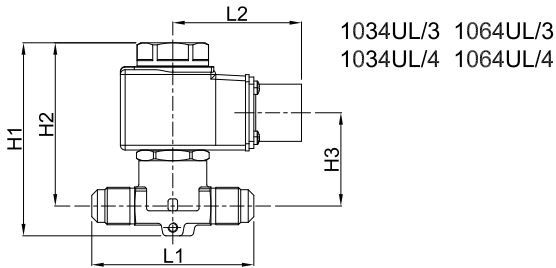
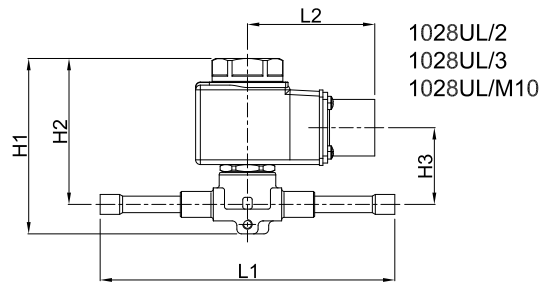
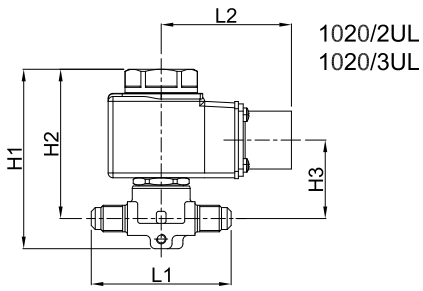
(1) Temperature peaks of 120 °C are allowed during defrosting

(2) Temperature peaks of 130 °C are allowed during defrosting

# JUNCTION BOX CONNECTION



# CONDUIT HUB CONNECTION



**TABLE 24: Dimensions and weights of NC valves with 9105 coils (1), UL Listed approved**

Operating Principles	Catalogue Number	Dimensions [mm]						Weight [g]
		H <sub>1</sub>	H <sub>2</sub>	H <sub>3</sub>	L <sub>1</sub>	L <sub>2</sub>	Q	
Direct Acting	1020UL/2S	75	62,5	34	58	52	-	340
	1020UL/3S				65			355
	1028UL/2S				125			350
	1028UL/2S.E				125			350
	1028UL/3S				125			365
	1028UL/M10S				125			365
Diaphragm Pilot Operated	1064UL/3S	82	69,5	40	68	52	-	400
	1064UL/4S				72			415
	1068UL/3S				111			400
	1068UL/M10S				111			395
	1068UL/M12S				127			420
	1068UL/4S				127			420
	1070UL/4S	91	75	47	100		45	710
	1070UL/5S				106			755
	1078UL/M12S				127			690
	1078UL/4S				127			680
	1078UL/5S				175			775
	1079UL/7S				190			765
	1090UL/5S	106	78	50	120		57	1035
	1090UL/6S				124			1365
	1098UL/5S				175			995
	1098UL/6S				175			1185
	1098UL/7S				180			1170
	1099UL/9S				216			1225
Piston Pilot Operated	1034UL/3S	92,5	80	50,5	68	52	-	440
	1034UL/4S				72			457
	1038UL/3S				111			440
	1038UL/M10S				111			435
	1038UL/M12S				127			462
	1038UL/4S				127			462
	1040UL/4S	100,5	84,5	56,5	100		45	781
	1040UL/5S				106			831
	1048UL/M12S				127			759
	1048UL/4S				127			748
	1048UL/5S				175			853
	1049UL/7S				190			842
	1050UL/5S	121	93	65	120		57	1157
	1050UL/6S				124			1487
	1058UL/5S				175			1117
	1058UL/6S				175			1307
	1058UL/7S				180			1292
	1059UL/9S				216			1347
	1098UL/9S	157	127	99	235		60	2050
	1099UL/11S				277			2130
	1078UL/11S	175	141	113	278		68	2710
	1079UL/13S							2750
	1079UL/M42S							2750
	1078UL/13S	190	153	125	280		88	3810
1078UL/M42S	3810							
1079UL/17S	3880							

With coil 9125 the dimension L<sub>2</sub> is equal to 65 mm and the weights must be increased of 500 g.

With coil 9115 the dimension L<sub>2</sub> is equal to 77 mm and the weights must be increased of 310 g.

With coil 9116 the dimension L<sub>2</sub> is equal to 54 mm and the weights must be increased of 240 g.

With coil 9185 the dimension L<sub>2</sub> is equal to 90 mm and the weights must be increased of 590 g.

With coil 9186 the dimension L<sub>2</sub> is equal to 67 mm and the weights must be increased of 472 g.

Connectors are not included in the boxes and have to be ordered separately for coils 9015 and 9125.

**TABLE 25: Refrigerant flow capacity of NC valves [kW], UL Listed approved**

Operating Principles	Catalogue Number	Liquid line										
		R134a	R22	R404A	R407C	R410A	R507	R1234ze	R448A	R449A	R450A	R452A
Direct Acting	1020UL/2S	2,98	3,20	2,08	3,02	3,00	2,01	2,63	2,74	2,75	2,78	2,12
	1020UL/3S	3,91	4,21	2,74	3,96	3,95	2,65	3,46	3,60	3,62	3,66	2,79
	1028UL/2S	2,55	2,75	1,79	2,58	2,58	1,73	2,26	2,35	2,36	2,39	1,82
	1028UL/2S.E	3,91	4,21	2,74	3,96	3,95	2,65	3,46	3,60	3,62	3,66	2,79
	1028UL/3S											
1028UL/M10S												
Diaphragm Pilot Operated	1064UL/3S	13,6	14,6	9,5	13,8	13,7	9,2	12,0	12,5	12,6	12,7	9,7
	1064UL/4S											
	1068UL/3S											
	1068UL/M10S											
	1068UL/M12S											
	1068UL/4S											
	1070UL/4S	37,4	40,3	26,2	37,9	37,8	25,3	33,1	34,4	34,6	35,0	26,7
	1070UL/5S	44,4	47,8	31,1	45,0	44,8	30,0	39,3	40,8	41,0	41,5	31,7
	1078UL/M12S	37,4	40,3	26,2	37,9	37,8	25,3	33,1	34,4	34,6	35,0	26,7
	1078UL/4S											
	1078UL/5S	44,4	47,8	31,1	45,0	44,8	30,0	39,3	40,8	41,0	41,5	31,7
	1079UL/7S	64,6	69,5	45,2	65,5	65,2	43,7	57,2	59,5	59,7	60,5	46,1
	1090UL/5S	81,6	87,8	57,1	82,7	82,4	55,2	72,2	75,1	75,5	76,4	58,2
	1098UL/5S	64,6	69,5	45,2	65,5	65,2	43,7	57,2	59,5	59,7	60,5	46,1
	1098UL/6S	81,6	87,8	57,1	82,7	82,4	55,2	72,2	75,1	75,5	76,4	58,2
1098UL/7S	96,9	104,3	67,8	98,2	97,9	65,6	85,7	89,2	89,6	90,7	69,1	
1099UL/9S												
Piston Pilot Operated	1034UL/3S	17,0	18,3	11,9	17,2	17,2	11,5	15,0	15,7	15,7	15,9	12,1
	1034UL/4S											
	1038UL/3S											
	1038UL/M10S											
	1038UL/M12S											
	1038UL/4S											
	1040UL/4S	40,8	43,9	28,6	41,4	41,2	27,6	36,1	37,6	37,7	38,2	29,1
	1040UL/5S	51,0	54,9	35,7	51,7	51,5	34,5	45,1	47,0	47,2	47,7	36,4
	1048UL/M12S	40,8	43,9	28,6	41,4	41,2	27,6	36,1	37,6	37,7	38,2	29,1
	1048UL/4S											
	1048UL/5S	51,0	54,9	35,7	51,7	51,5	34,5	45,1	47,0	47,2	47,7	36,4
	1049UL/7S	64,6	69,5	45,2	65,5	65,2	43,7	57,2	59,5	59,7	60,5	46,1
	1050UL/5S	81,6	87,8	57,1	82,7	82,4	55,2	72,2	75,1	75,5	76,4	58,2
	1050UL/6S	64,6	69,5	45,2	65,5	65,2	43,7	57,2	59,5	59,7	60,5	46,1
	1058UL/5S	81,6	87,8	57,1	82,7	82,4	55,2	72,2	75,1	75,5	76,4	58,2
	1058UL/6S	64,6	69,5	45,2	65,5	65,2	43,7	57,2	59,5	59,7	60,5	46,1
	1058UL/7S	96,9	104,3	67,8	98,2	97,9	65,6	85,7	89,2	89,6	90,7	69,1
	1059UL/9S											
	1098UL/9S	170,0	183,0	119,0	172,3	171,7	115,0	150,4	156,5	157,2	159,1	121,3
	1099UL/11S											
1078UL/11S	272,0	292,8	190,4	275,7	274,7	184,0	240,6	250,4	251,5	254,6	194,1	
1079UL/13S												
1079UL/M42S												
1078UL/13S	425,0	457,5	297,5	430,8	429,3	287,5	376,0	391,3	393,0	397,8	303,3	
1078UL/M42S												
1079UL/17S												

Standard rating conditions according to AHRI Standard 760-2007

Continued

Condensing temperature	110 °F	(43,3 °C)	Temperature leaving evaporator	50 °F	(9,9 °C)
Liquid temperature	100 °F	(37,8 °C)	Evaporator superheating	10 °R	(5,5 °K)
Subcooling	10 °R	(5,5 °K)	Suction line temperature	65 °F	(18,3 °C)
Evaporating temperature	40 °F	(4,4 °C)	Suction superheating	15 °R	(8,4 °K)
			Discharge temperature	160 °F	(71,1 °C)

**TABLE 25: Refrigerant flow capacity of NC valves [kW], UL Listed approved**

Operating Principles	Catalogue Number	Suction line										
		R134a	R22	R404A	R407C	R410A	R507	R1234ze	R448A	R449A	R450A	R452A
Direct Acting	1020UL/2S	-	-	-	-	-	-	-	-	-	-	-
	1020UL/3S											
	1028UL/2S											
	1028UL/2S.E											
	1028UL/3S											
	1028UL/M10S											
Diaphragm Pilot Operated	1064UL/3S	1,46	2,04	1,76	1,82	2,64	1,78	1,14	1,92	1,76	1,27	1,69
	1064UL/4S											
	1068UL/3S											
	1068UL/M10S											
	1068UL/M12S											
	1068UL/4S											
	1070UL/4S	4,00	5,61	4,84	4,99	7,26	4,91	3,12	5,28	4,84	3,50	4,64
	1070UL/5S	4,75	6,66	5,74	5,92	8,61	5,82	3,71	6,26	5,74	4,15	5,51
	1078UL/M12S	4,00	5,61	4,84	4,99	7,26	4,91	3,12	5,28	4,84	3,50	4,64
	1078UL/4S											
	1078UL/5S	4,75	6,66	5,74	5,92	8,61	5,82	3,71	6,26	5,74	4,15	5,51
	1079UL/7S	6,9	9,7	8,4	8,6	12,5	8,5	5,4	9,1	8,4	6,0	8,0
	1090UL/5S	8,7	12,2	10,6	10,9	15,8	10,7	6,8	11,5	10,6	7,6	10,1
	1090UL/6S	6,9	9,7	8,4	8,6	12,5	8,5	5,4	9,1	8,4	6,0	8,0
	1098UL/5S	8,7	12,2	10,6	10,9	15,8	10,7	6,8	11,5	10,6	7,6	10,1
	1098UL/6S	10,4	14,5	12,5	12,9	18,8	12,7	8,1	13,7	12,5	9,1	12,0
	1098UL/7S	10,4	14,5	12,5	12,9	18,8	12,7	8,1	13,7	12,5	9,1	12,0
	1099UL/9S											
Piston Pilot Operated	1034UL/3S	1,82	2,55	2,20	2,27	3,30	2,23	1,42	2,40	2,20	1,59	2,11
	1034UL/4S											
	1038UL/3S											
	1038UL/M10S											
	1038UL/M12S											
	1038UL/4S											
	1040UL/4S	4,37	6,12	5,28	5,45	7,92	5,35	3,41	5,76	5,28	3,82	5,06
	1040UL/5S	5,46	7,65	6,60	6,81	9,90	6,69	4,26	7,20	6,60	4,77	6,33
	1048UL/M12S	4,37	6,12	5,28	5,45	7,92	5,35	3,41	5,76	5,28	3,82	5,06
	1048UL/4S											
	1048UL/5S	5,46	7,65	6,60	6,81	9,90	6,69	4,26	7,20	6,60	4,77	6,33
	1049UL/7S	6,9	9,7	8,4	8,6	12,5	8,5	5,4	9,1	8,4	6,0	8,0
	1050UL/5S	8,7	12,2	10,6	10,9	15,8	10,7	6,8	11,5	10,6	7,6	10,1
	1050UL/6S	6,9	9,7	8,4	8,6	12,5	8,5	5,4	9,1	8,4	6,0	8,0
	1058UL/5S	8,7	12,2	10,6	10,9	15,8	10,7	6,8	11,5	10,6	7,6	10,1
	1058UL/6S	10,4	14,5	12,5	12,9	18,8	12,7	8,1	13,7	12,5	9,1	12,0
	1058UL/7S	10,4	14,5	12,5	12,9	18,8	12,7	8,1	13,7	12,5	9,1	12,0
	1059UL/9S											
	1098UL/9S	18,2	25,5	22,0	22,7	33,0	22,3	14,2	24,0	22,0	15,9	21,1
	1099UL/11S	29,1	40,8	35,2	36,3	52,8	35,7	22,7	38,4	35,2	25,4	33,8
1078UL/11S												
1079UL/13S												
1079UL/M42S												
1078UL/13S	45,5	63,8	55,0	56,8	82,5	55,8	35,5	60,0	55,0	39,8	52,8	
1078UL/M42S												
1079UL/17S												

Standard rating conditions according to AHRI Standard 760-2007

Continued

Condensing temperature	110 °F	(43,3 °C)	Temperature leaving evaporator	50 °F	(9,9 °C)
Liquid temperature	100 °F	(37,8 °C)	Evaporator superheating	10 °R	(5,5 °K)
Subcooling	10 °R	(5,5 °K)	Suction line temperature	65 °F	(18,3 °C)
Evaporating temperature	40 °F	(4,4 °C)	Suction superheating	15 °R	(8,4 °K)
			Discharge temperature	160 °F	(71,1 °C)



**TABLE 25: Refrigerant flow capacity of NC valves [kW], UL Listed approved**

Operating Principles	Catalogue Number	Hot Gas line										
		R134a	R22	R404A	R407C	R410A	R507	R1234ze	R448A	R449A	R450A	R452A
Direct Acting	1020UL/2S	1,96	3,18	2,08	2,38	1,67	1,16	2,07	1,89	1,34	1,75	1,75
	1020UL/3S	2,58	4,18	2,74	3,13	2,19	1,53	2,71	2,48	1,76	2,30	2,30
	1028UL/2S	1,68	2,72	1,79	2,04	1,43	1,00	1,77	1,62	1,15	1,50	1,50
	1028UL/2S.E	2,58	4,18	2,74	3,13	2,19	1,53	2,71	2,48	1,76	2,30	2,30
	1028UL/3S											
	1028UL/M10S											
1028UL/M10S												
Diaphragm Pilot Operated	1064UL/3S	6,8	9,0	7,7	9,5	10,9	7,6	5,5	9,4	8,6	6,1	8,0
	1064UL/4S											
	1068UL/3S											
	1068UL/M10S											
	1068UL/M12S											
	1068UL/4S											
	1070UL/4S	18,7	24,6	21,1	26,2	29,9	21,0	15,1	26,0	23,7	16,8	22,0
	1070UL/5S	22,2	29,2	25,1	31,1	35,5	24,9	17,9	30,8	28,1	20,0	26,0
	1078UL/M12S	18,7	24,6	21,1	26,2	29,9	21,0	15,1	26,0	23,7	16,8	22,0
	1078UL/4S											
	1078UL/5S	22,2	29,2	25,1	31,1	35,5	24,9	17,9	30,8	28,1	20,0	26,0
	1079UL/7S	32,3	42,6	36,5	45,2	51,7	36,3	26,0	44,8	41,0	29,1	37,9
	1090UL/5S	40,8	53,8	46,1	57,1	65,3	45,8	32,9	56,6	51,7	36,7	47,9
	1090UL/6S	40,8	53,8	46,1	57,1	65,3	45,8	32,9	56,6	51,7	36,7	47,9
	1098UL/5S	32,3	42,6	36,5	45,2	51,7	36,3	26,0	44,8	41,0	29,1	37,9
	1098UL/6S	40,8	53,8	46,1	57,1	65,3	45,8	32,9	56,6	51,7	36,7	47,9
	1098UL/7S	48,5	63,8	54,7	67,8	77,5	54,4	39,0	67,3	61,4	43,6	56,9
	1099UL/9S											
Piston Pilot Operated	1034UL/3S	8,5	11,2	9,6	11,9	13,6	9,5	6,9	11,8	10,8	7,7	10,0
	1034UL/4S											
	1038UL/3S											
	1038UL/M10S											
	1038UL/M12S											
	1038UL/4S											
	1040UL/4S	20,4	26,9	23,0	28,6	32,6	22,9	16,4	28,3	25,9	18,4	24,0
	1040UL/5S	25,5	33,6	28,8	35,7	40,8	28,6	20,6	35,4	32,3	23,0	29,9
	1048UL/M12S	20,4	26,9	23,0	28,6	32,6	22,9	16,4	28,3	25,9	18,4	24,0
	1048UL/4S											
	1048UL/5S	25,5	33,6	28,8	35,7	40,8	28,6	20,6	35,4	32,3	23,0	29,9
	1049UL/7S	32,3	42,6	36,5	45,2	51,7	36,3	26,0	44,8	41,0	29,1	37,9
	1050UL/5S	40,8	53,8	46,1	57,1	65,3	45,8	32,9	56,6	51,7	36,7	47,9
	1050UL/6S	40,8	53,8	46,1	57,1	65,3	45,8	32,9	56,6	51,7	36,7	47,9
	1058UL/5S	32,3	42,6	36,5	45,2	51,7	36,3	26,0	44,8	41,0	29,1	37,9
	1058UL/6S	40,8	53,8	46,1	57,1	65,3	45,8	32,9	56,6	51,7	36,7	47,9
	1058UL/7S	48,5	63,8	54,7	67,8	77,5	54,4	39,0	67,3	61,4	43,6	56,9
	1059UL/9S											
	1098UL/9S	85,0	112,0	96,0	119,0	136,0	95,4	68,5	118,0	107,8	76,5	99,8
	1099UL/11S											
	1078UL/11S	136,0	179,2	153,6	190,4	217,6	152,6	109,6	188,8	172,5	122,4	159,7
1079UL/13S												
1079UL/M42S												
1078UL/13S	212,5	280,0	240,0	297,5	340,0	238,5	171,3	295,0	269,5	191,3	249,5	
1078UL/M42S												
1079UL/17S												

Standard rating conditions according to AHRI Standard 760-2007

Condensing temperature	110 °F	(43,3 °C)	Temperature leaving evaporator	50 °F	(9,9 °C)
Liquid temperature	100 °F	(37,8 °C)	Evaporator superheating	10 °R	(5,5 °K)
Subcooling	10 °R	(5,5 °K)	Suction line temperature	65 °F	(18,3 °C)
Evaporating temperature	40 °F	(4,4 °C)	Suction superheating	15 °R	(8,4 °K)
			Discharge temperature	160 °F	(71,1 °C)

# CHAPTER 8

## NORMALLY-CLOSED SOLENOID VALVES

### FOR INDUSTRIAL APPLICATIONS



#### APPLICATION

The solenoid valves illustrated in this chapter are designed for the applications specified in TABLE 26, where the different fluids are indicated with the following symbols, according to an already established code:

- W = Water
- L = Air
- B = Secondary coolants (solutions of glycol and water)
- O = Light oils (diesel fuel)

In conclusion, these valves can be used:

- with fluids in the gaseous state belonging to Group 2, as defined in Article 13, Chapter 1, Point (b) of Directive 2014/68/EU, with reference to EC Regulation No. 1272/2008.
- with fluids in the liquid state belonging to Group 1, as defined in Article 13, Chapter 1, Point (a) of Directive 2014/68/EU, with reference to EC Regulation No. 1272/2008.

#### OPERATION

The valves listed in this chapter are normally closed valves (NC). This means that when the coil is not energised, the plunger closes the fluid flow. When the coil is energised, the plunger opens the valve seat connecting the inlet to the outlet.

All the above indicated valves are sold in the version without coil (with the S suffix), and in the version with series 9300, type HF2 - "FAST LOCK" coils (A6 suffix with coil 9300/RA6-220/230 VAC).

The valves in series 1512 and 1522 are direct acting valves. Their operation depends only on the magnetic field produced by the current flow into the coil. Opening/closing of main valve seat, the only seat, is directly controlled by the mobile plunger.

**These valves can work with zero pressure differential.**

The valves in series 1132 e 1142 are pilot operated diaphragm solenoid valves. Their operation depends not only on the magnetic field produced by the current flow into the coil, but also on a minimum inlet pressure, which is necessary to:

- open the diaphragm and keep it lifted off the main opening
- close the diaphragm and ensure the tightness on the main opening

Opening/closing of main valve seat is controlled by the diaphragm while opening/closing of pilot seat is controlled by the mobile plunger of the coil.

**These valves cannot work with zero differential pressure.**

#### CONSTRUCTION

The main parts of the solenoid valves described in this chapter are constructed with the following materials:

- Hot forged brass EN 12420 – CW 617N for body and cover
- Austenitic stainless steel EN 10088-2 – 1.4303 for enclosure where the plunger moves
- Ferritic stainless steel EN 10088-3 – 1.4105 for the plunger
- Austenitic stainless steel EN ISO 3506 – A2-70 for tightening screws between body and cover.
- Fluorocarbon rubber (FPM) for outlet seal gaskets, seat gasket and diaphragm

#### VALVE SELECTION AND FLOW RATE CALCULATION

TABLE 26 shows the following functional characteristics for the selection of a solenoid valve for industrial applications:

- Connection dimensions
- PS: maximum allowable pressure of the fluid
- TS: maximum / minimum allowable temperature of the fluid
- TA: maximum / minimum allowable ambient temperature
- Kv: discharge factor
- minOPD: minimum Opening Pressure Differential. This is the minimum pressure differential between inlet and outlet at which a pilot-operated solenoid valve can open and stay opened or close and maintain the seal.
- MOPD: maximum Opening Pressure Differential according to ARI STANDARD 760 : 2001. This is the maximum pressure differential between inlet and outlet at which a solenoid valve can open.

With the Kv factor listed in TABLE 26 it is possible to calculate the flow rate through the valve, if you know the acceptable pressure drop, the type of fluid and the operating pressure; in addition, it is also possible to check the pressure drop through the valve, if you know the flow rate.

With the following formula it's possible to calculate the volumetric flow rate of a liquid:

$$Q = Kv \times \sqrt{\frac{\Delta p}{\rho}}$$

For water with a temperature between 5 and 30 °C and density ( $\rho$ ) equal to 1 kg/dm<sup>3</sup> the formula is:

$$Q = Kv \times \sqrt{\Delta p}$$

With the following formula, it is possible to calculate the volumetric flow rate of a gas:

$$\text{if } \Delta p < \frac{p_1}{2} \quad Q_n = 514 \times Kv \times \sqrt{\frac{\Delta p \times p_2}{\rho_n \times (273 + t_1)}}$$

$$\text{if } \Delta p > \frac{p_1}{2} \quad Q_n = 257 \times Kv \times \frac{p_1}{\sqrt{\rho_n \times (273 + t_1)}}$$

For air at 20 °C and density ( $\rho$ ) equal to 1.29 kg/dm<sup>3</sup> the formulas are:

$$\text{if } \Delta p < \frac{p_1}{2} \quad Q_n = 26,4 \times Kv \times \sqrt{\Delta p \times p_2}$$

$$\text{if } \Delta p > \frac{p_1}{2} \quad Q_n = 13,2 \times Kv \times p_1$$

where:

Kv = Kv factor of the valve [m<sup>3</sup>/h]

Q = volumetric flow rate for a liquid [m<sup>3</sup>/h]

Q<sub>n</sub> = volumetric flow rate for a gas at "normal" reference conditions, 0 °C and 760 mm Hg [m<sup>3</sup>/h]

p<sub>1</sub> = absolute pressure upstream from the valve [bar abs]

p<sub>2</sub> = absolute pressure downstream from the valve [bar abs]

t<sub>1</sub> = temperature upstream from the valve [°C]

Δp = pressure drop through the valve [bar]

ρ = density of a liquid [kg/dm<sup>3</sup>]

ρ<sub>n</sub> = volumetric mass for a gas at "normal" reference conditions, 0 °C and 760 mm Hg [kg/m<sup>3</sup>]

Entering the following data in TABLE 27:

- p<sub>1</sub> = absolute pressure upstream from the valve [bar abs]

- Δp = pressure drop through the valve [bar]

It is possible to identify the corresponding airflow rate value under the following reference conditions:

- Temperature at the valve inlet = 20 °C
- Pressure at the outlet (absolute) = 1 bar
- Kv factor of the valve considered = 1 m<sup>3</sup>/h

Example of the use of TABLE 27: Select the valve suitable for use with a flow rate of 200 m<sup>3</sup>/h of air, assuming an absolute pressure of 8 bars at the valve inlet (= 7 bars of relative

pressure + 1 bar) and an acceptable pressure drop across the valve of 1.5 bar.

Intersecting the column p<sub>1</sub> = 8 bar abs with the line Δp = 1.5 bar, the flow rate value is equal to 87 m<sup>3</sup>/h. This is the flow rate value of a hypothetical valve with Kv = 1 m<sup>3</sup>/h working under the above-mentioned conditions. Dividing 200 by 87 equals 2.29 m<sup>3</sup>/h. This is the Kv value required in the case under consideration. In TABLE 26, select the valve with the Kv value nearest to 2,29, rounding up, and subsequently checking that all the characteristics of the selected valve (max. opening pressure differential, connections, etc.) are suitable.

## VISCOSITY

The values of MOPD (maximum opening pressure differential) specified in TABLE 26, are suitable for fluids with maximum kinematic viscosity of 12 cSt, where:

$$1 \text{ cSt} = 10^{-6} \text{ m}^2/\text{sec}$$

For kinematic viscosity values greater than 12 cSt, it is necessary to multiply the maximum differential pressure by the following reducing factors:

Kinematic viscosity, cSt	Reducing factors
12	1
12 / 30	0.8
30 / 45	0.7

When the viscosity of the fluid is expressed as dynamic viscosity, i.e. in cP, where:

$$1 \text{ cP} = 10^{-3} \text{ N sec/m}^2.$$

The corresponding value of kinematic viscosity in cSt is obtained by the following relation:

$$v = \frac{\mu}{\rho}$$

where:

v = Kinematic viscosity [cSt]

μ = dynamic viscosity [cP]

ρ = volumetric mass of the fluid at the temperature considered [kg/dm<sup>3</sup>]

TABLE 28 shows the approximate equivalences among the most common units of measure of viscosity at the same temperature.

Moreover, remember that the viscosity of a fluid may change, even significantly, as the temperature varies. Therefore, if the temperature of the fluid does not ensure viscosity values compatible with the correct operation of the valve, the valve might not open.

## INSTALLATION

Before installation, check that the valve model meets the application requirements and check that the flow direction

in the pipe corresponds to the arrow stamped on the body of the valve.

Make sure that the pipes are clean. If possible, fit an inspectable filter before the valve, avoid that foreign matter enter the valve. Make sure that the sealing materials (tape, jointing paste, etc.) do not obstruct the valve supply holes or exiting pilot holes (pilot-operated versions).

Connect the valve to the pipes or fittings, using the wrench only on the dedicated body surfaces. Do not use the coil or the plunger enclosure as a lever arm.

The valves can be mounted in any position as long as the coil does not point downwards. An assembly that keeps the coil upwards is recommended to avoid any accumulation of impurities inside the guide pipe. When using hoses, fix the valve using the dedicated fixing holes in the body.

Before connecting a valve to the electrical system, make sure that the line voltage and frequency correspond to the values marked on the coil. Direct current valves do not require a fixed polarity. To promote heat dissipation from the

coil, position the valve in a ventilated environment, far from any other heat sources. The increase in the coil temperature, added to the environment and fluid temperatures, may lead to a temperature that can cause burns. It is recommended to suitably protect the coil from water and humidity.

## TRACEABILITY

Direct action valves in series 1512 are identified by laser marking on the valve enclosure of the mobile plunger. This marking includes the following data: valve code, fluids, PS, TS, and production lot.

The direct action valves in series 1522 and the pilot-operated diaphragm solenoid valves in series 1132 and 1142 are identified by a plastic label fit on the valve enclosure of the mobile plunger (below the coil when present). This label includes the following data: valve code, fluids, PS, TS, and production lot.

**TABLE 26: General characteristics of general purpose valves**

Catalogue Number	Seal	Media	FPT Connections	Seat size nominal Ø [mm]	Kv Factor [m³/h]	Operating Principles	Opening Pressure Differential [bar]				PS [bar]	TS [°C]		TA [°C]		Risk Category according to PED Recast	
							min OPD	MOPD				min.	max.	min.	max.		
								coil series									
								9100 9110 9300 (AC)	9160 (AC)	9120 9320 (AC)							9120 9320 (DC)
1512/01#	FPM	W.L.O.	G 1/8"	1,5	0,07	Direct Acting	0	30	30	30	30	-15	+130	-15	+50	Art. 4.3	
1522/02#		W.O.	G 1/4"	4,5	0,40			10	10	12	8						
1522/03#			G 3/8"					12	12	15	12						
1522/04#			G 1/2"					15	15	15	12						
1132/03#	FPM	W.L.O..B.	G 3/8"	12,5	2,1	Diaphragm Pilot Operated	0,15	25	25	30	15	-15	+130	-15	+50	Art. 4.3	
1132/04#			G 1/2"		2,2			12	12	15	12						
1132/06#			G 3/4"	20	5,5			12	12	15	12						
1132/08#			G 1"		6,0			12	12	15	12						
1142/010#			G 1.1/4"	38	22			0,3	12	12	15						12
1142/012#			G 1.1/2"		24				12	12	15						12

# = S , A6

**TABLE 27 - Air Capacity [m<sub>n</sub><sup>3</sup>/h] (1)**

Pressure Drop [bar]	Inlet pressure [bar abs]																								
	18	17	16	15	14	13	12	11	10	9	8	7	6	5	4	3	2	1,500	1,300	1,200	1,100	1,050	1,030	1,015	
0,0025																					1,38	1,35	1,33	1,33	
0,005																				2,00	1,95	1,91	1,89	1,88	
0,010																				2,94	2,82	2,76	2,69	2,66	2,65
0,015																			3,94	3,59	3,44	3,37	3,29	3,25	3,23
0,025																	5,9	5,07	4,62	4,43	4,33	4,23	4,17		
0,05																10,1	8,2	7,11	6,47	6,19	6,05	5,90			
0,1	35,3	34,3	33,3	32,2	31,1	30,0	28,8	27,6	26,3	24,9	23,5	21,9	20,3	18,5	16,5	14,2	11,5	9,88	8,95	8,55	8,35				
0,15	43,2	42,0	40,7	39,4	38,1	36,7	35,2	33,7	32,1	30,4	28,6	26,8	24,7	22,5	20,1	17,3	13,9	11,88	10,72	10,22					
0,25	55,6	54,0	52,4	50,7	48,9	47,1	45,2	43,3	41,2	39,0	36,7	34,3	31,7	28,8	25,6	21,9	17,5	14,76	13,20						
0,5	78,1	75,8	73,5	71,1	68,6	66,0	63,3	60,5	57,5	54,4	51,1	47,6	43,8	39,6	34,9	29,5	22,9	18,67							
1	108,8	105,6	102,2	98,8	95,2	91,5	87,6	83,5	79,2	74,7	69,8	64,7	59,0	52,8	45,7	37,3	26,4								
1,5	131,3	127,3	123,1	118,8	114,3	109,6	104,8	99,7	94,3	88,5	82,4	75,8	68,6	60,5	51,1	39,6									
2	149,3	144,6	139,7	134,6	129,3	123,8	118,1	112,0	105,6	98,8	91,5	83,5	74,7	64,7	52,8										
2,5	164,3	158,9	153,4	147,6	141,6	135,3	128,7	121,7	114,3	106,4	97,9	88,5	78,1	66,0											
3	177,1	171,1	164,9	158,4	151,7	144,6	137,2	129,3	121,0	112,0	102,2	91,5	79,2												
3,5	188,1	181,5	174,6	167,5	160,0	152,2	144,0	135,3	125,9	115,8	104,8	92,4													
4	197,6	190,4	182,9	175,1	167,0	158,4	149,3	139,7	129,3	118,1	105,6														
4,5	205,8	198,0	189,9	181,5	172,6	163,3	153,4	142,8	131,3	118,8															
5	212,8	204,5	195,8	186,7	177,1	167,0	156,2	144,6	132,0																
5,5	218,9	210,0	200,6	190,8	180,5	169,6	157,8	145,2																	
6	224,0	214,5	204,5	194,0	182,9	171,1	158,4																		
6,5	228,2	218,1	207,5	196,2	184,3	171,6																			
7	231,7	220,9	209,5	197,6	184,8																				
7,5	234,3	222,8	210,8	198,0																					
8	236,1	224,0	211,2																						
8,5	237,2	224,4																							
9	237,6																								

(1) The table provides air capacity values in m<sup>3</sup>/h under the following conditions:  
 - temperature at valve inlet: + 20°C  
 - pressure at outlet (absolute): 1 bar  
 - Kv of the solenoid valve: 1 m<sup>3</sup>/h

**TABLE 28: Viscosity equivalence**

Cinematic Viscosity [cSt] o [mm <sup>2</sup> /s]	Engler Degree [°E]	Saybolt Universal Seconds [Ssu]	Seconds Redwood N.1 [SRW N.1]
1	1	---	---
2	1,1	32,7	31
3	1,2	36	33,5
4	1,3	39	36
5	1,4	42,5	38,5
7	1,5	49	44
10	1,8	59	52
15	2,3	77,5	68
20	2,9	98	86
25	3,4	119	105
30	4	140	120
35	4,7	164	145
40	5,3	186	165
50	6,6	232	205
60	8	278	245
70	9,2	324	286
80	10,5	370	327
90	12	415	370
100	13	465	410

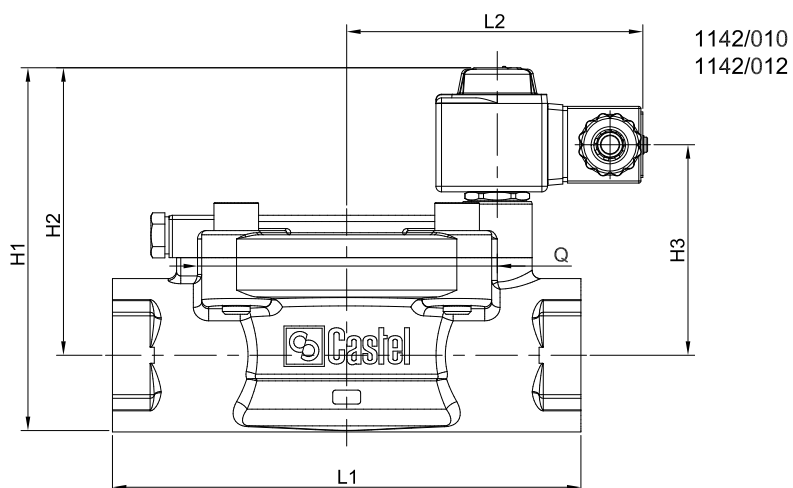
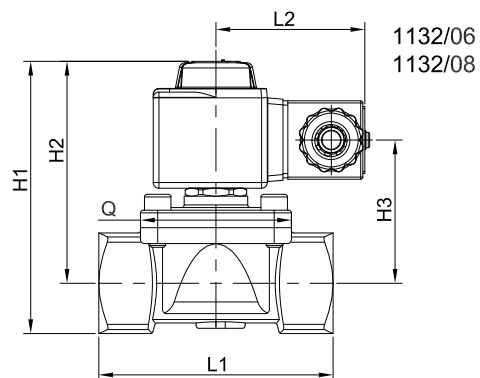
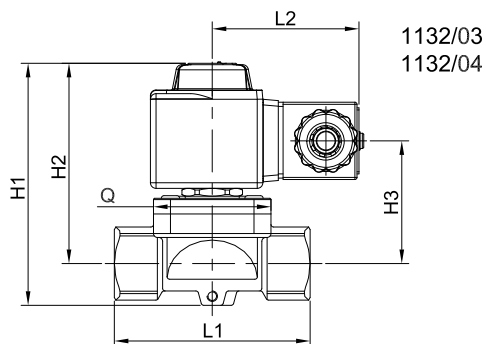
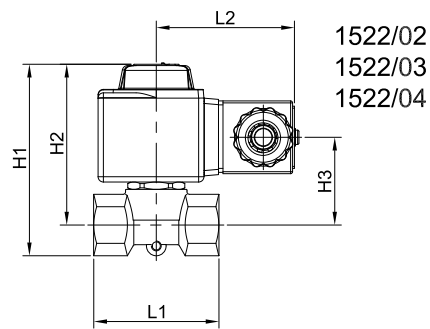
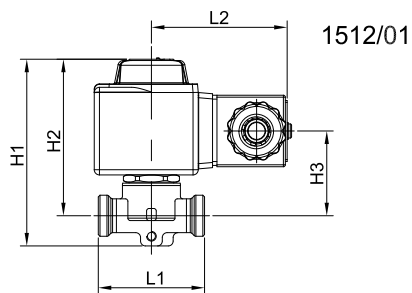


TABLE 29: Dimensions and weights of GP valves (valves with 9300 coils)

Catalogue Number	Dimensions [mm]						Weight [g]			
	H <sub>1</sub>	H <sub>2</sub>	H <sub>3</sub>	L <sub>1</sub>	L <sub>2</sub>	Q				
1512/01#	69	57	34	44	52	-	310			
1522/02#	71	59	36	51		-	385			
1522/03#						-	370			
1522/04#						-	355			
1132/03#	91	75	47	75	52	45	670			
1132/04#						635				
1132/06#					101	81	52	88	57	960
1132/08#									670	
1142/010#	131	104	76	168	104	104	3850			
1142/012#							4000			

With coil 9320 the dimension L<sub>2</sub> is equal to 65 mm and the weights must be increased of 500 g.

Connectors are not included in the boxes and have to be ordered separately

[www.castel.it](http://www.castel.it)



ed. 001-VS-ENG

Castel can accept no responsibility for any errors or changes in the catalogues, handbooks, brochures and other printed material. Castel reserves the right to make changes and improvements to its products without notice. All trademarks mentioned are the property of their respective owners. The name and Castel logotype are registered trademarks of Castel Srl. All rights reserved.

Castel Srl - Via Provinciale 2-4 - 20060 Pessano con Bornago - MI