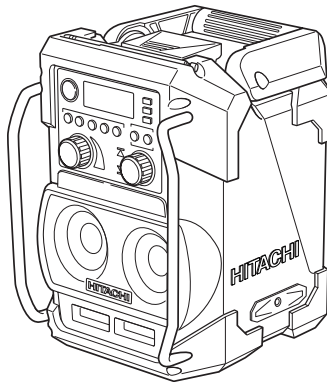


HITACHI

Cordless Radio Model UR 18DSL

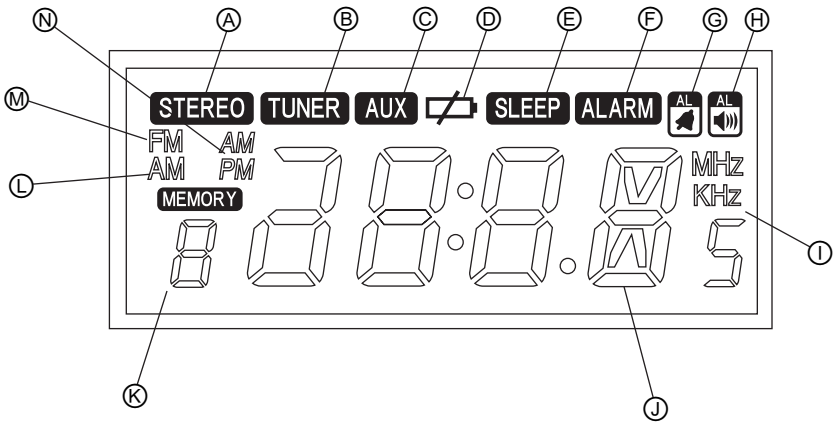
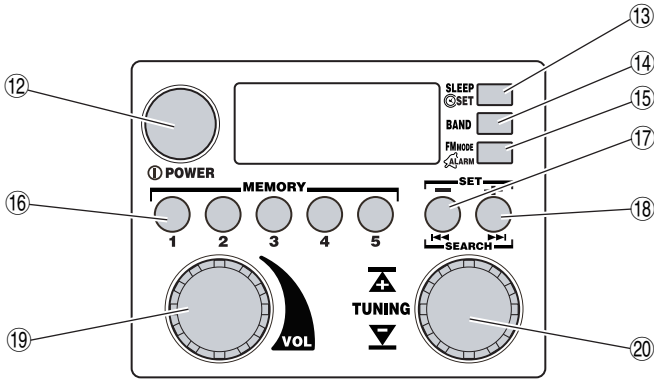
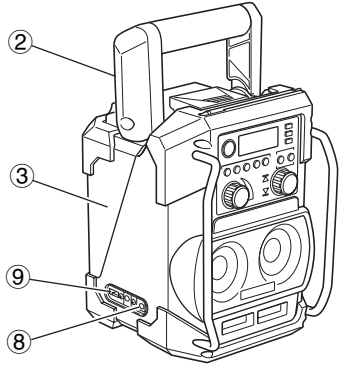
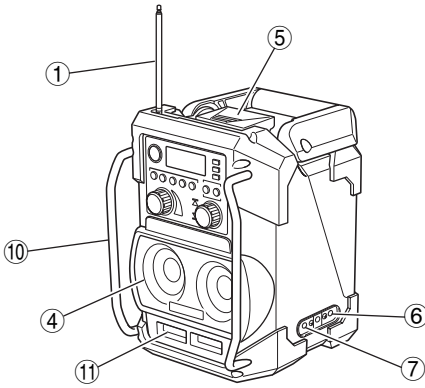
Handling instructions



Note:

Before using this cordless radio, carefully read through these **HANDLING INSTRUCTIONS** to ensure efficient, safe operation. It is recommended that these **INSTRUCTIONS** be kept readily available as an important reference when using this cordless radio.

Hitachi Koki



CORDLESS RADIO SAFETY WARNINGS

WARNING

Read all safety warnings and all instructions.

Failure to follow the warnings and instructions may result in electric shock, fire and/or serious injury.

Save all warnings and instructions for future reference.

1. Use only the specified power supply voltage.

- Use of any other voltage may lead to fire or electric shock.

2. Avoid damaging the AC adapter cord.

- Do not modify, forcibly bend, twist or pull the cord, place heavy objects on it or place it near heating appliances.
- When not in use, remove the power plug (AC adapter) from the electric socket and from the radio. Failure to do so may lead to electric shock or fire.

3. Do not touch the power plug (AC adapter) with wet hands.

- Doing so may result in electric shock.

4. Do not use the radio in the bathroom or shower.

- Do not use the radio in wet or damp places or in the rain. Doing so may result in electric shock, emission of smoke or malfunction.

5. Do not touch the FM antenna or power plug (AC adapter) during thunderstorms.

- Doing so may result in electric shock.

6. Do not disassemble or modify the radio.

- Doing so may result in electric shock or fire. Inspections and repairs should be performed by the store where purchased or by a Hitachi power tool service center.

7. Insert the power plug (AC adapter) securely as far as it will go.

- Dust or dirt between the power plug and the electric socket may lead to fire. Remove the power plug periodically and wipe off any dust or dirt with a dry cloth.

8. Do not let any unspecified objects or water get inside the radio body.

- With the exception of the AC adapter and the rechargeable battery, if any metal or flammable object or water gets inside the rear door, it may lead to electric shock or fire.
- Take care to prevent iron powder from the bass reflex speakers, dust or water getting into the radio.

9. Do not sit or stand on the radio.

- Doing so may lead to accidents or malfunction.

10. Do not place the radio on an unstable surface or in a high place. Do not hang the radio from the handle or guard bar.

- The radio may fall and cause injury or malfunction.

11. Reduce the volume before turning on the power.


- Failure to do so may result in sudden loud noise and damage the speakers or cause hearing impairment.

12. Do not turn the volume up too high when using headphones or earphones.

- Listening to the radio for a long time at a high volume may result in hearing impairment.

13. When no slide battery is loaded, attach the slide terminal cover to the terminal to prevent cuts and other injuries that may result from touching the terminal area.

14. Handle the backup batteries with care.

- Incorrect handling of the batteries may result in rupture or leakage, leading to fire, injury or pollution of the surrounding area. Be sure to observe the following precautions.
 - Use only the specified batteries
 - Do not heat or disassemble the batteries
 - Do not throw the batteries into fire or water
 - Do not charge the batteries
 - Make sure the batteries are correctly oriented and avoid short-circuiting
 - Do not reuse batteries or use different types of battery
 - Remove the batteries when the radio is not in use. In the event of leakage from the batteries, wipe the battery case clean. Should any battery fluid get on your body, wash it off carefully. If  is displayed when you turn the power on with the rechargeable battery inserted, the battery power is low. Power the radio from the AC adapter or insert a charged battery.

15. Recharge only with the charger specified by the manufacturer.

- A charger that is suitable for one type of rechargeable battery may create a risk of fire when used with another battery.

16. Use the radio only with specifically designated rechargeable battery.

- Use of any other rechargeable battery may create a risk of injury and fire.

17. When rechargeable battery is not in use, keep it away from other metal objects like paper clips, coins, keys, nails, screws, or other small metal objects that can make a connection from one terminal to another.

- Shorting the battery terminals together may cause burns or a fire.

18. Under abusive conditions, liquid may be ejected from the battery; avoid contact. If contact accidentally occurs, flush with water. If liquid contacts eyes, additionally seek medical help.

- Liquid ejected from the battery may cause irritation or burns.

19. Have your radio serviced by a qualified repair person using only identical replacement parts.

- This will ensure that the safety of the radio is maintained.

MAIN FUNCTIONS

- Manual/Auto select
- Save (Memory) (5 AM + 5 FM stations)
- Radio On/Off/Alarm
- High-quality stereo speaker + bass reflex
- Cell phone charging
- Compatibility with Hitachi power tool rechargeable battery and AC adapter

NAMES OF PARTS

①	FM antenna	⑬	Sleep timer / Clock button	Ⓔ	Sleep timer indicator
②	Handle	⑭	Band selector button	Ⓕ	Alarm indicator
③	Rear door	⑮	FM mode / Alarm button	Ⓖ	Buzzer alarm indicator
④	Speaker	⑯	Memory button (1 - 5)	Ⓗ	Radio alarm indicator
⑤	Buckle	⑰	Search button (Clock (-) button)	Ⓛ	Frequency
⑥	Exterior input (AUX IN) terminal	⑱	Search button (Clock (+) button)	Ⓜ	Clock
⑦	Headphone jack	⑲	Volume dial	Ⓝ	Memory indicator
⑧	AC adapter jack	⑳	Select dial	Ⓟ	AM broadcast indicator
⑨	Charging jack (5 V 0.5 A)	Ⓐ	Stereo indicator	Ⓜ	FM broadcast indicator
⑩	Guard bar	Ⓑ	Tuner indicator	Ⓝ	Time indicator (AM / PM)
⑪	Bass reflex	Ⓒ	AUX indicator		
⑫	Power button	Ⓓ	Battery exhausted indicator		

SPECIFICATIONS

Model	UR18DSL
Frequency band	FM: 87.5 to 108 MHz AM: 522 to 1620 KHz
Antenna	FM: Rod antenna AM: Ferrite bar antenna (built-in)
Speaker	76 mm (8 Ω) x 2
Input terminal	AUX IN (ø 3.5 mm)
Output terminal	Headphone jack (ø 3.5 mm) Charging jack (5 V 0.5 A)
Maximum available output	9.6 V: 1.4 W x 2 12 V: 2.2 W x 2 14.4 V: 3.2 W x 2 18 V: 5 W x 2
Power supply	Slide battery: DC 14.4 V, 18 V Plug-in battery: DC 9.6 V, 12 V, 14.4 V, 18 V Backup batteries: DC 4.5 V, three AA batteries Household power supply: AC 240 V (using provided AC adapter)
Maximum exterior dimensions	Length 231 mm x width 184 mm x height 281 mm (with antenna retracted)
Weight	3.3 kg
Standard accessories	AC adapter (DC 12 V 1 A), three AA batteries

NOTE:

Rechargeable battery

Most rechargeable batteries for Hitachi power tools can be used with this radio, except for the following.

3.6 V, 7.2 V, 10.8 V and 24 V and over

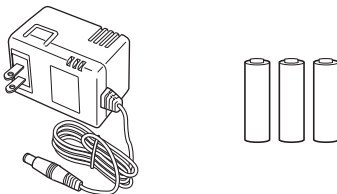
SERVICE TIME PER BATTERY CHARGE

Battery capacity	Service time*
1.3 Ah	Approx. 7 hours
1.4 Ah	Approx. 8 hours
1.5 Ah	Approx. 8 hours
2.0 Ah	Approx. 11 hours
2.4 Ah	Approx. 13 hours
2.6 Ah	Approx. 14 hours
3.0 Ah	Approx. 17 hours
3.3 Ah	Approx. 18 hours

* The service time is approximate (at 2 W × 2 output). It varies depending on the type of battery, charging condition and conditions of use.

STANDARD ACCESSORIES

- 1 AC adapter1
- 2 AA batteries.....3



BEFORE USE

● Inserting the backup batteries

Inserting backup batteries lets you save the clock setting and radio station frequencies.

- Loosen the buckle and open the rear door. The backup battery box is inside. (Fig. 1)
- Open the battery box and insert the three AA batteries provided, making sure they are oriented as illustrated.

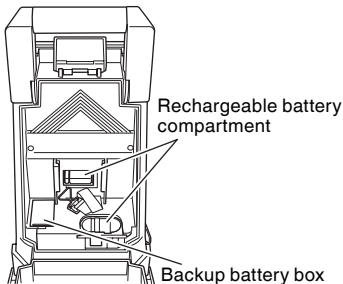


Fig. 1

CAUTION

- Make sure that the batteries are correctly oriented.
- Replace all the batteries at the same time. Do not use old batteries and new batteries at the same time.
- Do not discard the batteries with household garbage or throw them into fire.

● Attaching the AC Adapter

The provided AC adapter can be used to power the radio from an electric socket.

Pull back the rubber cover and connect the AC adapter to the AC adapter terminal. Next, insert the AC adapter power plug into the electric socket. (Fig. 2)

The AC adapter can be stored inside the top of the rear door. When storing the AC adapter, secure the it with an elastic band. (Fig. 3)

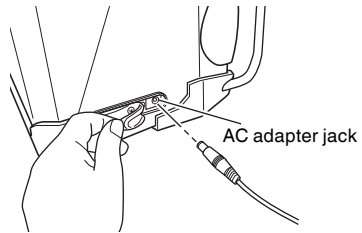


Fig. 2

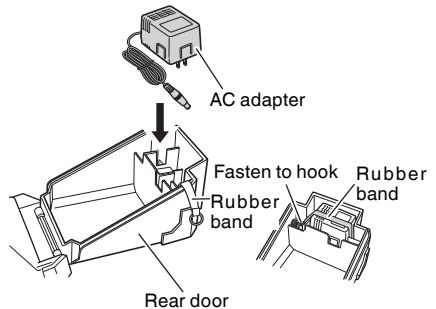


Fig. 3

NOTE

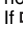
- When the AC adapter and rechargeable battery are used simultaneously, the AC adapter takes priority. No power is used from the battery.
- The radio has no charging function. The rechargeable battery is not charged when the AC adapter and battery are used simultaneously.

● Loading the rechargeable battery

CAUTION

When no slide battery is loaded, attach the slide terminal cover to the terminal to prevent cuts and other injuries that may result from touching the terminal area.

NOTE

- The following batteries are not compatible with this equipment.
3.6 V, 7.2 V, 10.8 V and 24 V and over
- When inserting the battery, do not use unnecessary force. If the battery does not go in easily, it is not being inserted correctly.
Check that the battery is correctly oriented and that no foreign object has been trapped.
- The radio has no charging function. Using the AC adapter and rechargeable battery simultaneously will not charge the battery.
If  is displayed when you turn the power on with the rechargeable battery inserted, the battery power is low.
Power the radio from the AC adapter or insert a charged battery.

Loading a plug-in battery (Fig. 4)

Insert the battery into the space in the radio body as far as it will go before securing with the belt. If the belt is not the right length, adjust the length of the belt.

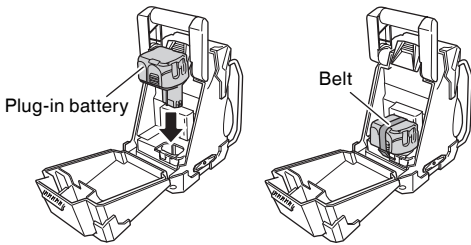


Fig. 4

Loading a slide battery (Fig. 5)

Remove the slide terminal cover. Match the battery with the grooves in the radio body and insert the battery as far as it will go.

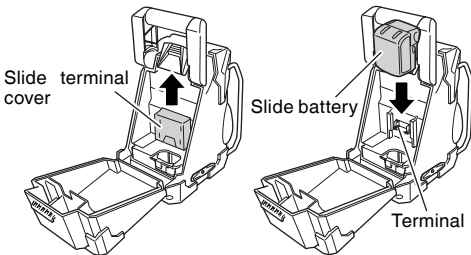


Fig. 5

Adjusting the Clock

Adjust the clock with the power turned off.

1. Press and hold the sleep timer/clock button for more than 2 seconds. The "hour" indicator blinks. Pressing the band selector button in this state switches between the 12-hour display and 24-hour display.
2. Turn the select dial or press the search button to select the "hour".
3. Press the sleep timer/clock button again. The "minutes" indicator blinks.
4. Turn the select dial or press the search button to select the "minutes".
5. Press the sleep timer/clock button again to save the clock setting.

NOTE

- To save the clock setting, the backup batteries must be installed.

LISTENING TO THE RADIO

CAUTION

- Turn down the volume before pressing the power button. Failure to do so may result in sudden loud noise and cause damage to the speakers or lead to hearing impairment.
1. Press the power button to turn on the radio.
 2. Press the band select button and select the radio band (FM or AM).

NOTE

- The display changes in the order of [FM→AM→AUX→FM] each time the band select button is pressed.
3. Select a station using Auto, Manual or Save (Memory).
 4. If noise occurs or reception is poor, refer to "For Better Reception".
 5. Turn the volume dial to adjust the volume.
 6. Press the power button to turn off the radio.

Auto Select

Press the ◀◀ or ▶▶ search button to automatically search for stations with strong radio waves. When a station is detected, the radio plays for 3 seconds. Press the search button before the next search starts to continue listening to the detected radio station.

Manual Select

Turn the select dial to find the station you want to listen to.

Save (Memory)

Find the station that you want to save. Press and hold down the memory button (1 to 5) for more than 2 seconds to save the setting. The **MEMORY** indicator appears at the bottom left of the display panel and the number of the assigned memory button is displayed below that. You can save 5 AM and 5 FM stations in the memory buttons 1 to 5. To select the saved station, press the memory button corresponding to the saved number.

For Better Reception

FM (Fig. 6)

Adjust the length, direction and angle of the antenna to ensure the best reception.

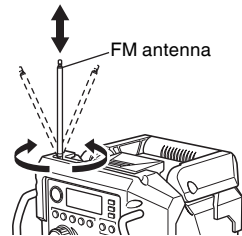


Fig. 6

When tuned in to an FM stereo broadcast, **STEREO** is displayed.

If a lot of noise occurs during an FM stereo broadcast, press the FM mode / Alarm button. The radio switches to monaural (the **STEREO** indicator turns off) to reduce the noise. To return to stereo reception, press the FM mode / Alarm button again.

AM (Fig. 7)

The radio has a built-in antenna. Turn the radio around to find the direction with the best reception.

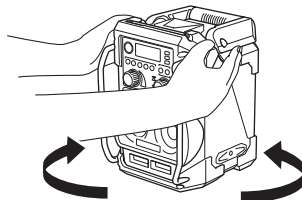


Fig. 7

Positioning

Reception may be poor when the radio is used inside a vehicle or building. When inside a building, place the radio near the window to ensure better reception.

Noise may occur if the radio is placed near an appliance that generates noise. Move the radio away from the source of the noise.

● Auto Power Off

The radio turns off automatically after 8 hours.

USING THE TIMER FUNCTION

- The radio turns on/off at the preset time
- Use the radio as an alarm clock

● Sleep Timer

Setting the sleep timer turns the radio off after the set time has elapsed.

- Pressing the sleep timer / clock button while the power is turned on displays the [SLEEP] indicator. The time (minutes) indicator changes in order of [90→80→70→...→10→OFF] in 10-minute units each time the button is pressed.
- Press the button repeatedly until the desired time is displayed.
- The radio turns off when the set time has elapsed.
- To cancel the timer, press the sleep timer / clock button until the indicator is set to OFF. The [SLEEP] indicator goes off and the sleep timer is cancelled.

To check the remaining time

The [SLEEP] indicator is displayed when the sleep timer has been set.

Press the sleep timer / clock button to check the remaining time on the timer.

● Buzzer Alarm / Radio Alarm

NOTE

- The volume of the buzzer alarm cannot be adjusted.
- If the rechargeable battery is running low, the radio alarm timer may not work. Charge the battery before setting the timer or use the AC adapter.
- The radio alarm turns on in the station and at the volume selected before the timer was set. Set the volume and time to avoid creating a disturbance when the radio turns on.

When the alarm time is set and the buzzer alarm is selected, the buzzer sounds at the preset time.

When the radio alarm is selected, the radio turns on in the selected radio station at the preset time.

- Set the time with the radio turned off.
- Press and hold the FM mode / alarm button for more than 2 seconds to switch to alarm mode. The [ALARM] indicator is displayed.
- The "hour" indicator blinks. Turn the select dial or press the search button to select the desired "hour". Press the FM mode / alarm button to set the "hour". The "minutes" indicator blinks. Turn the select dial or press the search button to select the desired "minutes".
- Press the FM mode / alarm button to save the set time. The [ALARM] indicator goes off.
- The display changes in order of [buzzer alarm→radio alarm→no display] each time the FM mode / alarm button is pressed.
- The power turns on and the buzzer sounds or the radio plays when the preset time is reached.

Buzzer Alarm

To turn off the buzzer alarm, press the FM mode / alarm button. If it is not turned off, the buzzer will continue to sound for 1 minute and then stop.

Radio Alarm

To turn off the radio, press the power button. If it is not turned off, the radio will continue to play for 30 minutes.

To check the alarm

To check the time set on the alarm, press the band selector button with the power turned off.

OTHER FUNCTIONS

● Connecting an External Device

You can use the radio to listen to an MP3, MD or CD player.

- With the radio and the external device both turned off, connect the audio cord (ø3.5 mm, available at an electric store) of the external device to the external input (AUX IN) terminal on the side of the radio.
- Turn on the radio and press the band select button to display [AUX].

NOTE

- The display changes in the order of [FM→AM→AUX→FM] each time the band select button is pressed.
- Turn on the external device to start listening.
- Adjust the volume.
- To disconnect the external device, turn off the device and the radio before removing the audio cord.

● Using Headphones

You can use headphones or earphones purchased from an electric store to listen to the radio.

CAUTION

- Be sure to turn the volume down before connecting the headphones or earphones. Failure to do so may result in sudden loud noise and cause hearing impairment.
- Connect the headphones or earphones to the headphone jack on the side of the radio.
- No sound is emitted from the radio speakers when headphones or earphones are connected.
- Adjust the volume.

● Charging a Cell Phone

NOTE

- When using the rechargeable battery as the power source, make sure that it is adequately charged. If the battery power is low, it may not be possible to charge the cell phone.
- Disconnect the cell phone except when charging. Do not make or receive calls on the cell phone in the vicinity of the radio as radio reception may be adversely affected.
- The charging time varies depends on the type of cell phone.
- Do not use the radio to charge devices other than a cell phone.
- Connect a USB charging cable suitable for your cell phone (purchased from an electric store) to the charging jack on the side of the radio.
- Turn on the radio and press the band select button to display [AUX].

NOTE

- The display changes in the order of [FM→AM→AUX→FM] each time the band select button is pressed.
- Select AUX mode to start charging.

● To turn the voice messages on/off

By factory default setting, the voice message function plays "Welcome to Hitachi Power Tools" when the power is turned on and "Presented by Hitachi Power Tools" when the power is turned off.

To mute the voice messages, press memory button 1 while the power is turned off and display [OFF] on the display panel.

To restore the voice messages, press memory button 1 while the power is turned off and display [ON] on the display panel.

MAINTENANCE AND INSPECTION

WARNING

- When not in use or during inspection and maintenance, be sure to remove the AC plug, rechargeable battery and backup batteries.

● Inspecting the mounting screws

Regularly inspect all mounting screws and ensure that they are properly tightened. Should any of the screws be loose, retighten them immediately. Failure to do so could result in serious hazard.

● Cleaning on the outside

When the radio is stained, wipe with a soft dry cloth or a cloth moistened with soapy water. Do not use chloric solvents, gasoline or paint thinner, for they melt plastics.

● Storing the Radio

Do not store the radio in the following places.

- Within reach of or easily accessible to children
- In humid or dusty places
- In high temperature such as inside a car or exposed to direct sunlight
- In extremely cold places or directly exposed to cold draughts
- Where the temperature changes drastically
- Where it is exposed to smoke or steam such as near a cooking appliance or humidifier

● Service parts list

CAUTION

Repair, modification and inspection of Hitachi Power Tools must be carried out by a Hitachi Authorized Service Center.

This Parts List will be helpful if presented with the tool to the Hitachi Authorized Service Center when requesting repair or other maintenance.

In the operation and maintenance of power tools, the safety regulations and standards prescribed in each country must be observed.

MODIFICATIONS

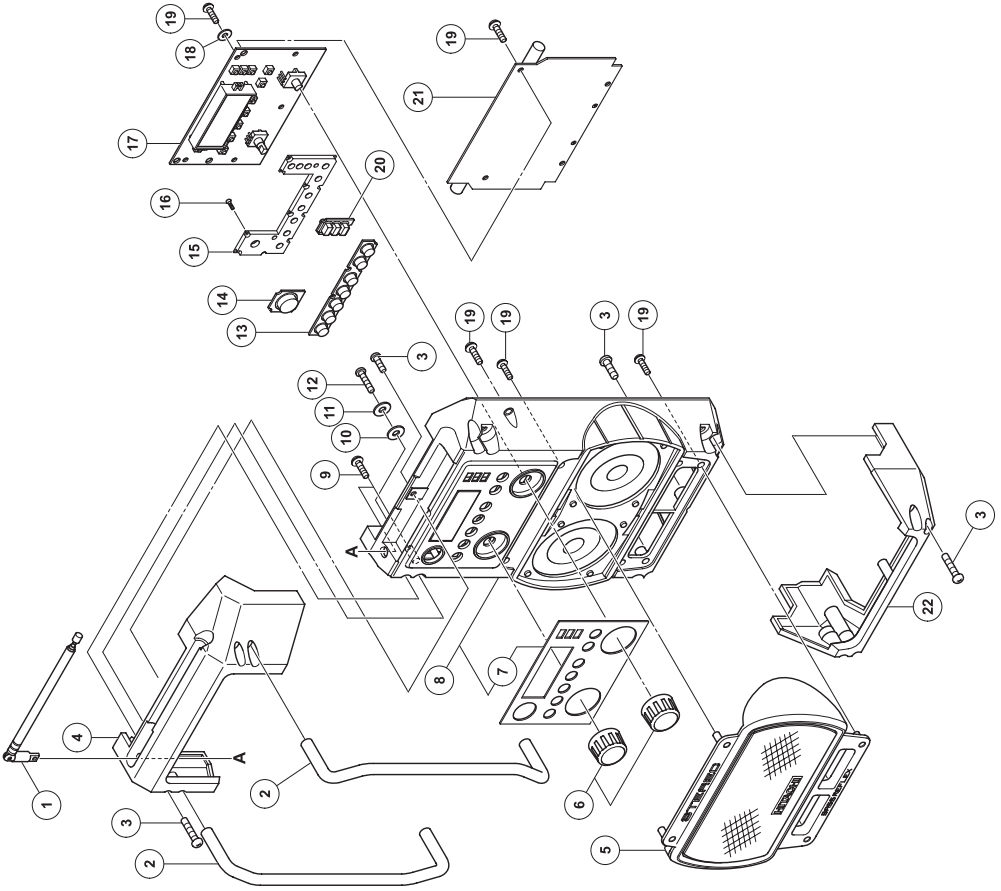
Hitachi Power Tools are constantly being improved and modified to incorporate the latest technological advancements.

Accordingly, some parts may be changed without prior notice.

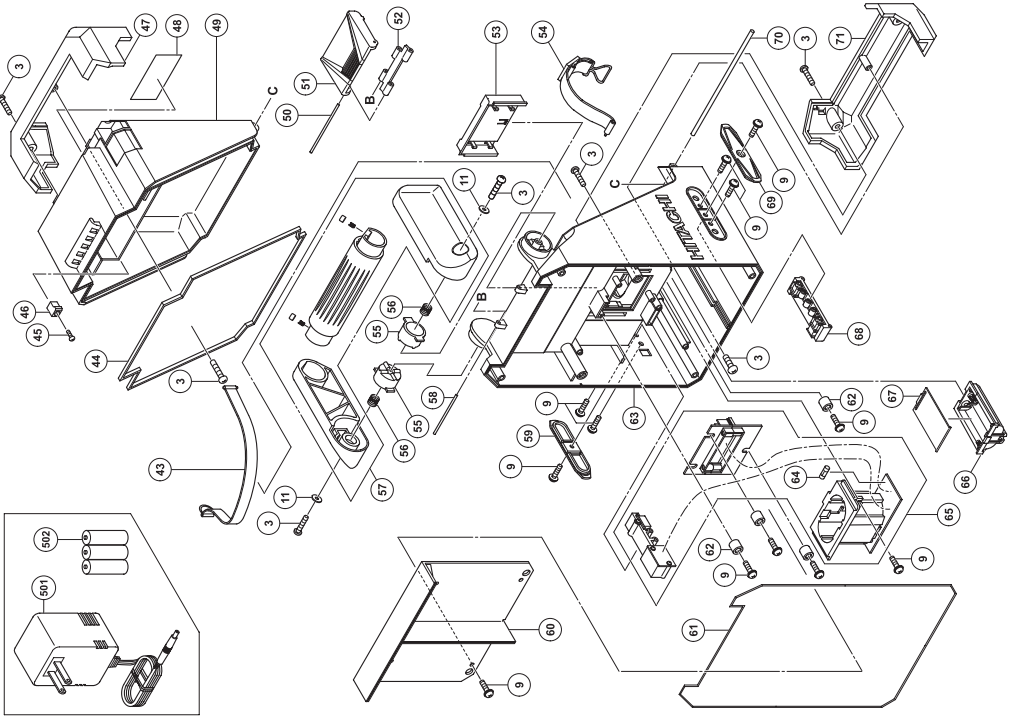
NOTE

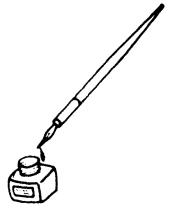
Due to HITACHI's continuing program of research and development, the specifications herein are subject to change without prior notice.

ITEM NO.	PART NAME
1	ROD ANTENA
2	GUARD BAR
3	SCREW D4x15
4	TPE COVER (A)
5	SPEAKER COVER
6	DIAL
7	FUNCTION LABEL
8	FRONT HOUSING ASS'Y
9	SCREW D3x10
10	RUBBER WASHER
11	WASHER D4
12	SCREW D4x15
13	FUNCTION BUTTON
14	POWER BUTTON
15	BUTTON COVER
16	SCREW M1.7x5
17	CONTROL PCBA
18	FIBRE WASHER
19	SCREW D2.5x10
20	MODE BUTTON
21	FUNCTION PCBA
22	TPE COVER (B)



ITEM NO.	PART NAME
43	ADAPTOR BELT
44	BACK DOOR PACKING
45	SCREW (BLACK) M2.6x8
46	HOLDER COVER LOCKER
47	TPE COVER (D)
48	NAME PLATE
49	BACK DOOR
50	METAL SHAFT (B)
51	BUCKLE
52	BUCKLE CONNECTOR
53	BATTERY HOLDER COVER
54	BATTERY BELT
55	HANDLE BRACKET
56	HANDLE BRACKET SPRING
57	HANDLE
58	METAL SHAFT (C)
59	JACK COVER (L)
60	SPEAKER BACK COVER
61	FRONT ORING
62	BATTERY BOX WASHER
63	BACK HOUSING
64	FUSE (250V 2A)
65	TERMINAL
66	AA BATTERY BOX
67	BATTERY DOOR
68	JACK
69	JACK COVER (R)
70	METAL SHAFT (A)
71	TPE COVER (C)
501	AC ADAPTER
502	AA BATTERY





 **Hitachi Koki Co., Ltd.**

Shinagawa Intercity Tower A, 15-1, Konan 2-chome,
Minato-ku, Tokyo, Japan

907

Code No. C99181811 A
Printed in China