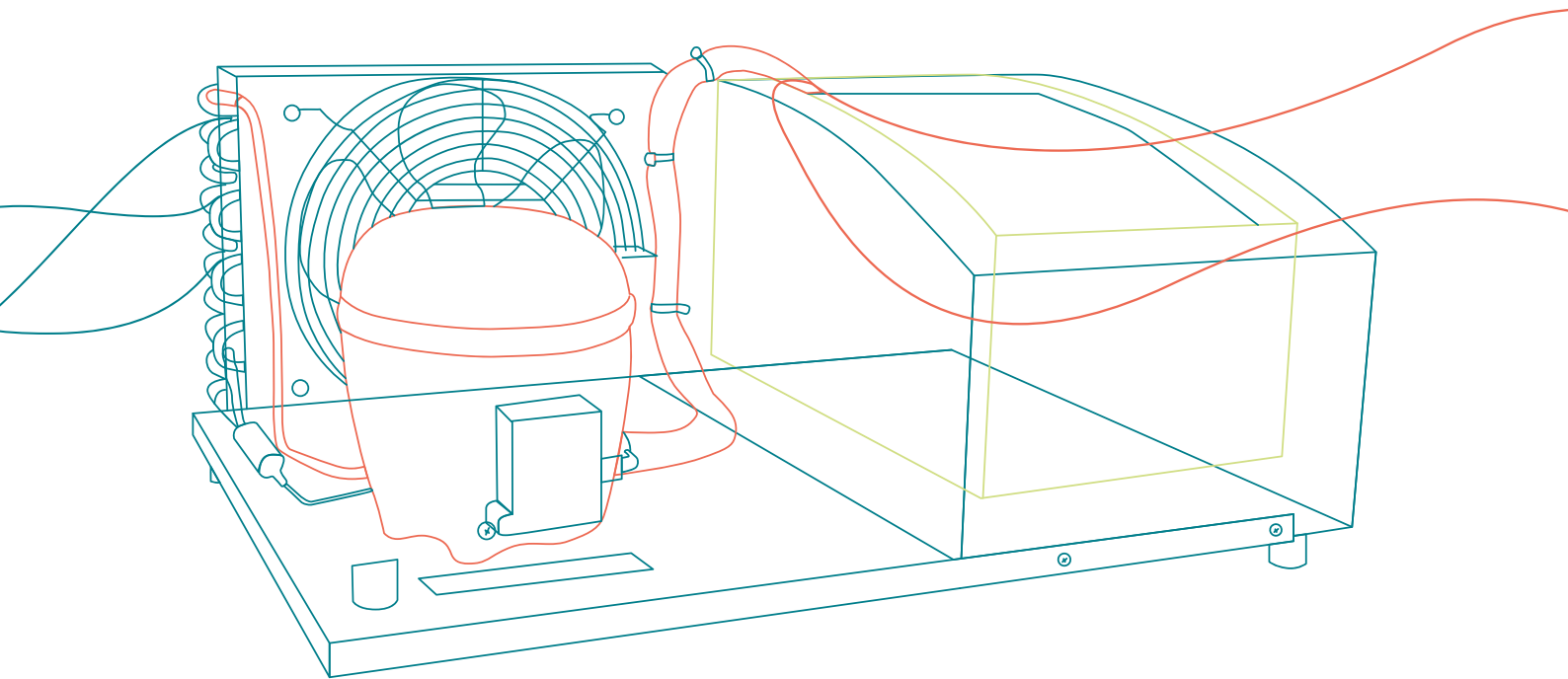


CONDENSING UNITS EUROPE

TAILORED CUSTOMIZATION



Product range suitable
for your needs.

● R134a

● R290

● R404A/R507/R452A

embraco

POWER IN.
CHANGE ON.



01

ABOUT EMBRACO

02

OUR PRODUCTS

03

PRODUCTS MAP

04

NOMENCLATURE

05

TECHNICAL
INFORMATION

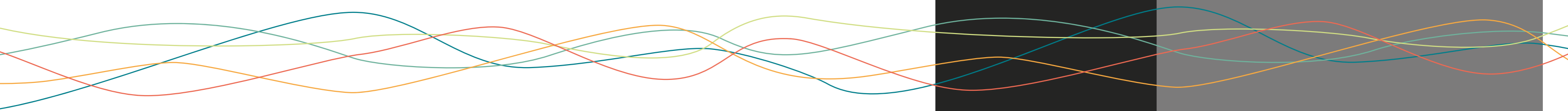
06

GENERAL DATA &
PERFORMANCE

07

EXTERNAL VIEWS &
WIRING DIAGRAMS

embraco POWER IN.
CHANGE ON.



EMBRACO is a company specialized in cooling solutions and world leader in the hermetic compressor market. **Our mission: provide innovative solutions for a better quality of life,** always attentive to technological excellence and sustainability.

Technological leadership, operational excellence and sustainability are some of the pillars which ensure the EMBRACO differential over other companies in the world market. Its products are now considered the favorite leading home appliance manufacturers by major automakers and are spotlighted by manufacturers of commercial refrigeration equipment.

With global operations and production capacity exceeding 38 million units a year, the company offers solutions that are differentiated for their innovation and low energy consumption. Its 11.500 employees work in factories and offices located in Brazil (headquarters), China, Italy, Slovakia, Mexico, the United States and Russia.

Energy efficiency is constantly sought in the processes, products and relationships with the communities where it operates. Our company is the absolute leader in this segment, being able to offer products that meet the most restrictive international standards regarding energy consumption.

As a worldwide leader, **EMBRACO** tries to anticipate market changes, and in doing so, our company is in a state of permanent transformation. We continuously assess our processes in order to maintain our leadership within the industry and promote growth, without forgetting the pillars of our organization.



More than 12000 employees



More than 400 professionals in R&D



Production capacity of over 37 million compressors per year



More than 500 million products produced to date



More than 1200 patents worldwide



Business conducted in more than 80 countries



R&D laboratories on 4 continents

embraco

ABOUT EMBRACO

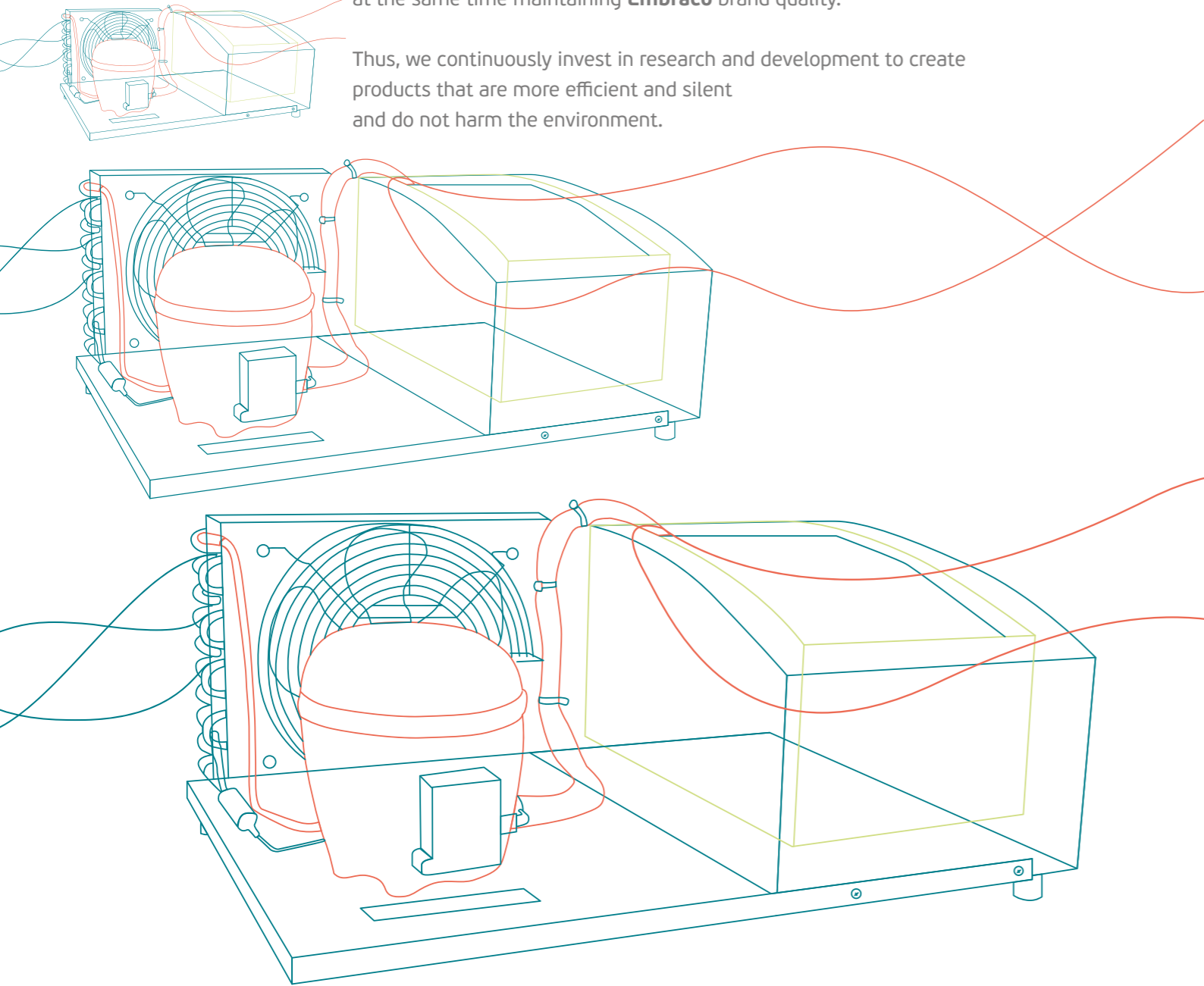


HIGH EFFICIENCY



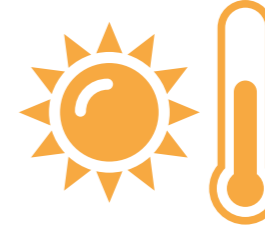
Energy efficiency is the base for all our product development. This means producing compressors that consume each time less energy and less raw material in manufacturing at the same time maintaining **Embraco** brand quality.

Thus, we continuously invest in research and development to create products that are more efficient and silent and do not harm the environment.



TROPICAL AND SUPERTROPICAL

All the Embraco Condensing Units are tested for tropical temperatures up to 43°C.



Available range tested for supertropical temperatures up to 48°C



EU ECODESIGN REGULATION



THE COMMISSION REGULATION (EU) DOSSIER NO 11898/14 IMPLEMENTING DIRECTIVE 2009/125/EC OF THE EUROPEAN PARLIAMENT AND OF THE COUNCIL WITH REGARD TO **ECODESIGN REQUIREMENTS** FOR PROFESSIONAL STORAGE CABINETS, **CONDENSING UNITS** AND PROCESS CHILLERS WILL **ESTABLISH MINIMUM EFFICIENCY PERFORMANCE STANDARDS (MEPS)** FOR NEW PRODUCTS BEING PLACED ONTO THE EU MARKET AS OF JULY 1ST 2016.

The Ecodesign Directive aims to reduce the environmental impact of energy related products during their entire lifetime, it provides a framework with specific and mandatory requirements for improving product quality and environmental protection, reducing energy and resources consumption and significantly contributing to the EU's 2020 energy efficiency objective.

In addition to this, the Energy Labelling gives clear information about the energy consumption and performance of specified appliances, helping consumers and end users to select energy efficient products allowing them to make informed purchasing decisions..

The EU legislation on Ecodesign is an effective tool for eliminating the least performing products from the market. As regards to the refrigeration systems, this regulation shall apply to professional refrigerated storage cabinets and blast cabinets, condensing units operating at low and medium temperature (monoblock units or split units are excluded). If, for instance, Ecodesign requirements for domestic refrigerators do not respect the Ecodesign Directive criteria, any refrigerator which does not comply with these requirements will not be CE marked and therefore cannot be sold in the European Union.

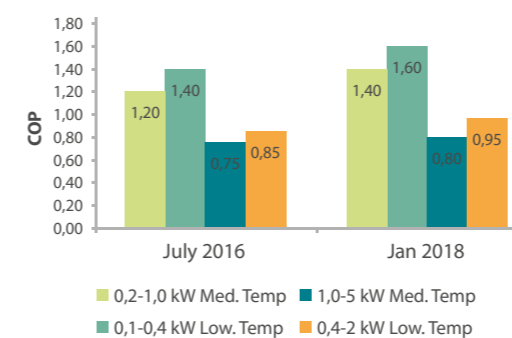
EFFECTIVELY JULY 1ST, 2016,
THE ENTIRE EMBRACO CONDENSING UNITS RANGE
WILL MEET THE STANDARDS REQUIRED
BY THIS NEW REGULATION,
ENSURING THE CONFORMITY OF ITS PRODUCTS.

THE ECODESIGN REQUIREMENTS

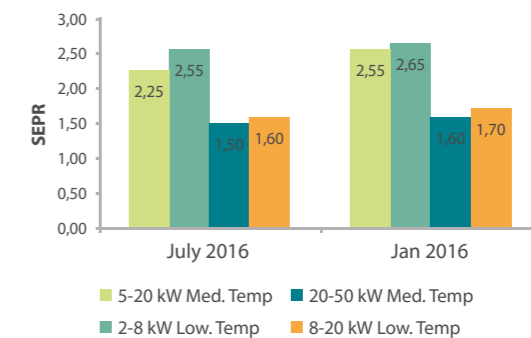
The coefficient of performance (COP) and the seasonal energy performance ratio (SEPR) of the condensing units shall not drop below the values indicated in the following table:

OPERATING TEMPERATURE	RATED CAPACITY P _A	APPLICABLE RATIO	VALUE
MEDIUM	0,2 kW ≤ P _A 1 kW	COP	1,20
	1 kW ≤ P _A 5 kW	COP	1,40
	5 kW ≤ P _A 20 kW	SEPR	2,25
	20 kW ≤ P _A 50 kW	SEPR	2,35
LOW	0,1 kW ≤ P _A 0,4 kW	COP	0,75
	0,4 kW ≤ P _A 2 kW	COP	0,85
	2 kW ≤ P _A 8 kW	SEPR	1,50
	8 kW ≤ P _A 20 kW	SEPR	1,60

COP Condensing Units

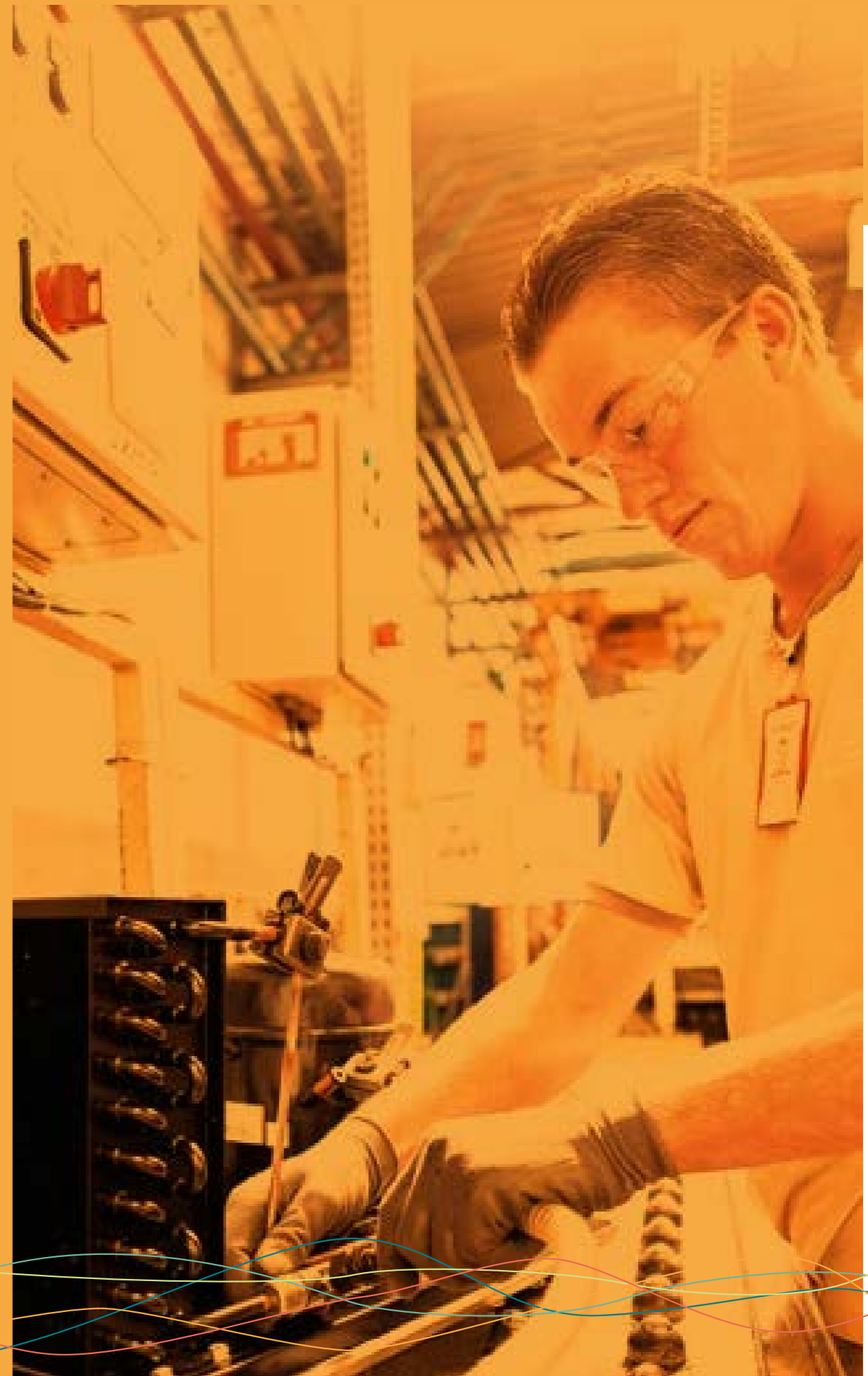


SEPR Condensing Units



Note: Product data - check pages 20-22

OUR PRODUCTS



SINGLE SPEED COMPRESSORS

EM	
EG	
F	
NE	
NT	
NTU	
NJ	

FULLMOTION INVERTER COMPRESSORS

VEM	
VEG	
VNE	
VES	

CONDENSING UNITS

UEM	
UNE	
UNT	
UNJ	
UF	

SLIDING UNITS


STANDARD RANGE	
EXTENDED RANGE	
MULTICOMPRESSORS SOLUTION	
AVAILABLE WITH 2 OR 3 COMPRESSORS	
	


UEMT		AVAILABLE FOR:
 <ul style="list-style-type: none"> • Low noise • High efficiency level • Wide application range • Compact size 		R134a R404A/R507/R452A R290
		APPLICATION:
		LBP, M/HBP
		COMPRESSORS FROM:
		3,4 CC TO 7,69 CC

UNJ		AVAILABLE FOR:
 <ul style="list-style-type: none"> • Small size platform • High energy efficiency • Reduced noise level 		R134a R404A/R507/R452A
		APPLICATION:
		LBP, M/HBP
		COMPRESSORS FROM:
		21,7 CC TO 34,4 CC

UNE/UNEK/UNEU		AVAILABLE FOR:
 <ul style="list-style-type: none"> • Low noise • Low vibrations • High reliability in severe working conditions 		R134a R404A/R507/R452A R290
		APPLICATION:
		LBP, M/HBP
		COMPRESSORS FROM:
		6,2 CC TO 16,8 CC

High efficiency versions of UNEK models (UNEU) available on demand

SLIDING UNITS STANDARD RANGE		AVAILABLE FOR:
 <ul style="list-style-type: none"> • Low noise • High efficiency level • Wide application range • Compact size 		*R134a R404A/R507/R452A
		APPLICATION:
		LBP, M/HBP
		* only LBP

UNT		AVAILABLE FOR:
 <ul style="list-style-type: none"> • High efficiency level • Very low sound level • High cooling capacity at low evaporating temperatures 		R134a R404A/R507/R452A
		APPLICATION:
		LBP, M/HBP
		COMPRESSORS FROM:
		14,5 CC TO 27,8 CC

SLIDING UNITS EXTENDED RANGE		AVAILABLE FOR:
 <ul style="list-style-type: none"> • Low noise • High efficiency level • Wide application range • Compact size 		*R134a R404A/R507/R452A
		APPLICATION:
		LBP, M/HBP
		* only LBP

MULTICOMPRESSORS

A new entry into Embraco's Condensing Units: Multicompressors architecture is the smart solution to have small size platform, high efficiency and reduced noise level.



MULTICOMPRESSORS SOLUTION

- Small size platform
- High energy efficiency
- Reduced noise level

AVAILABLE FOR: R134a, R404A/R507/R452A

APPLICATION: LBP, M/HBP

COMPRESSORS FROM: 21,7 CC TO 34,4 CC

PRODUCT FEATURES

extended range up to 8,5kW

available for R134a, R404A

2 or 3 compressor units

compact size

lower energy consumption

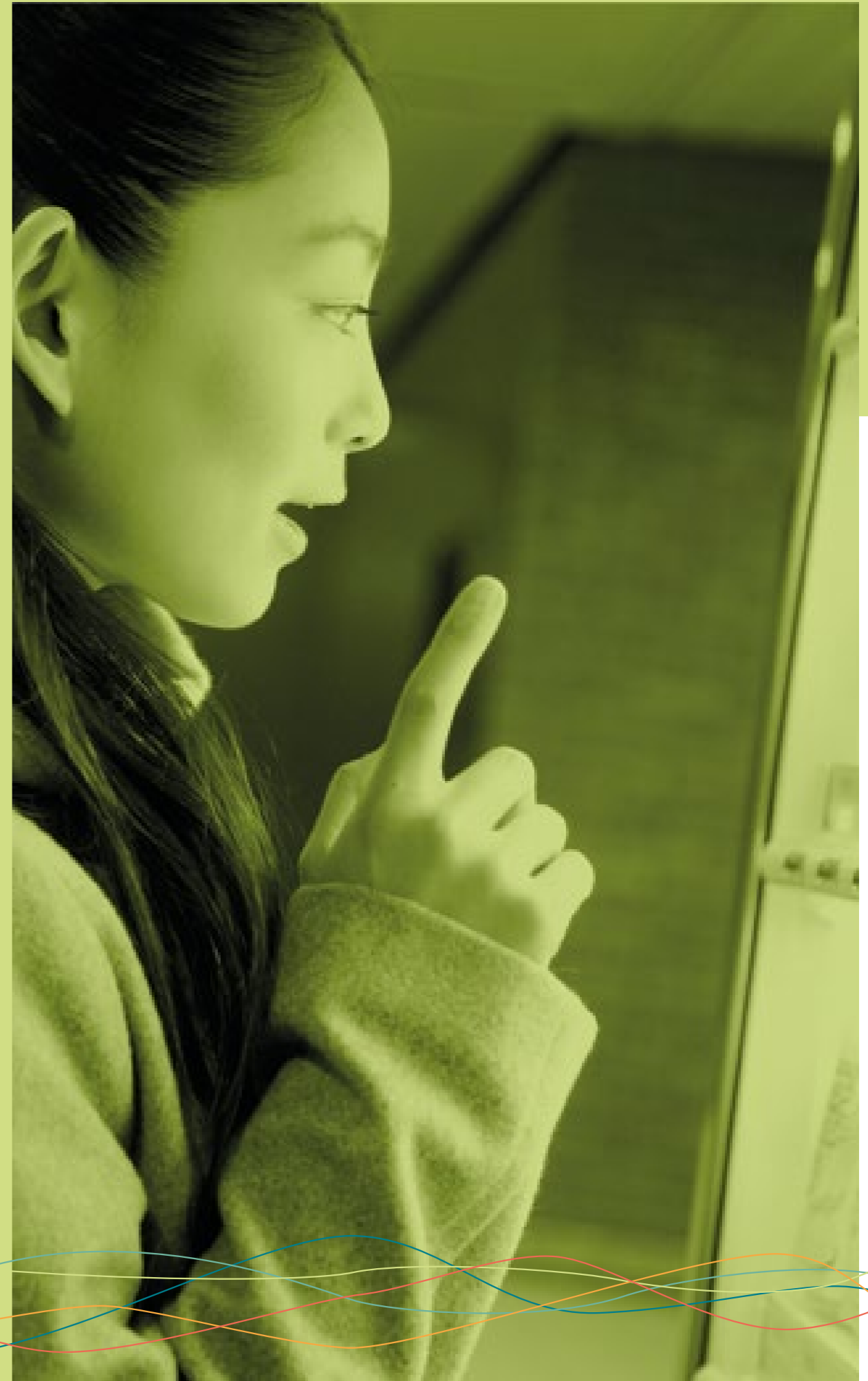
power control: possibility to switch on or switch off compressors based on required cooling capacity

doublestage delay unit (timer)

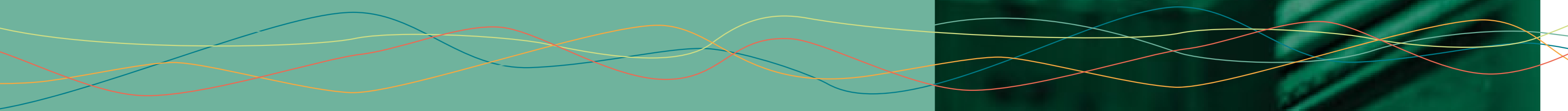
gradually switching of high loads

IoT control elements

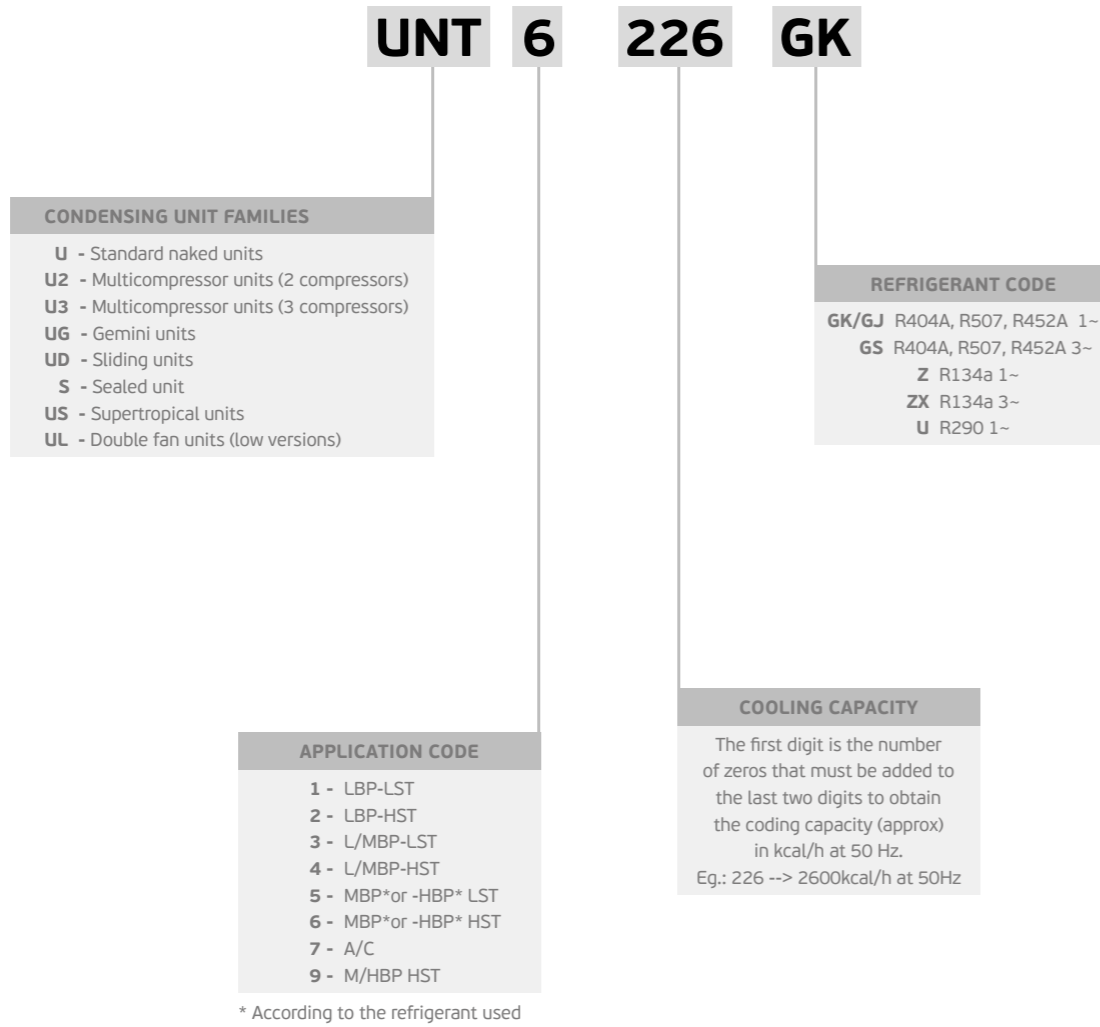
PRODUCT MAP
50 - 60 HZ



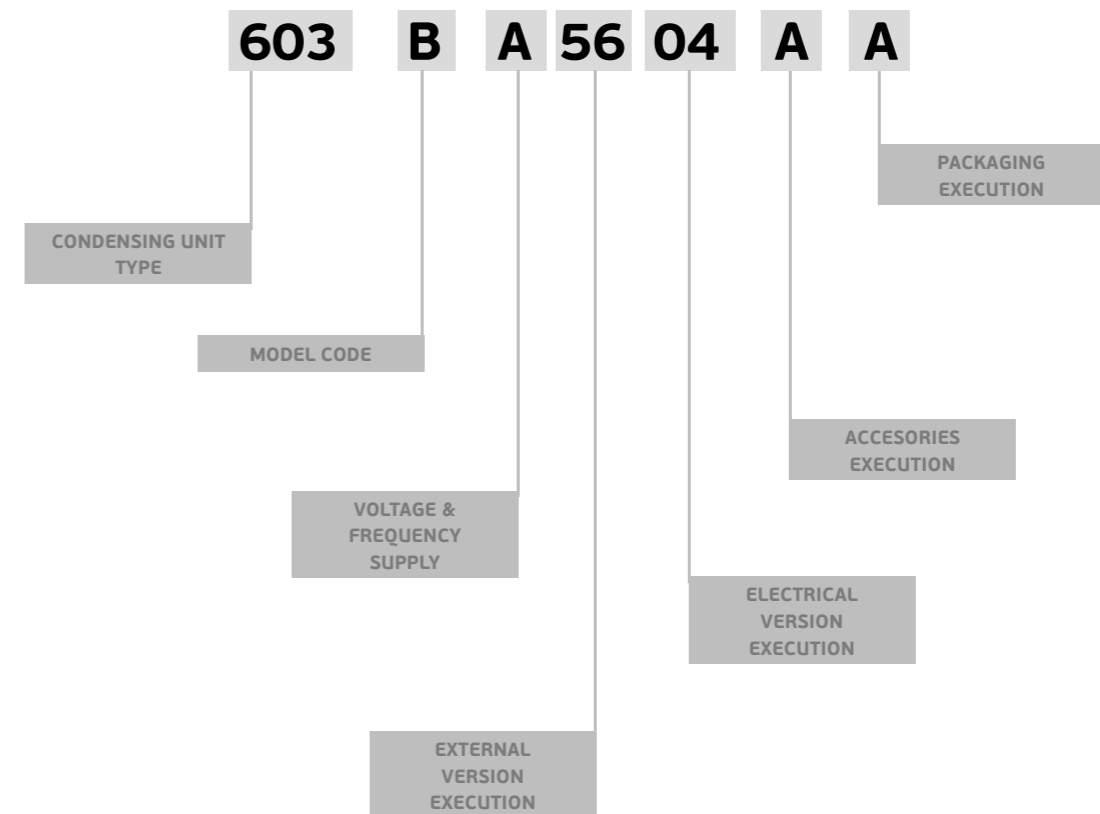
NOMENCLATURE



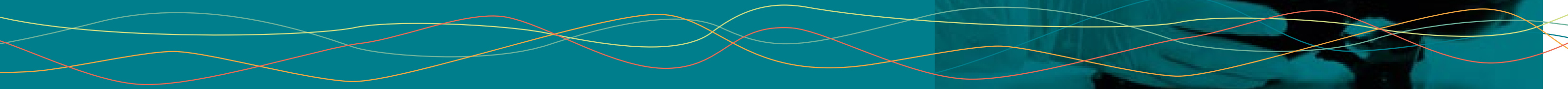
MODEL DESCRIPTION CONDENSING UNIT SERIES: UEMT/UNE/UNJ/UNT/UDH/UDL



CONDENSING UNIT BILL OF MATERIAL CODE



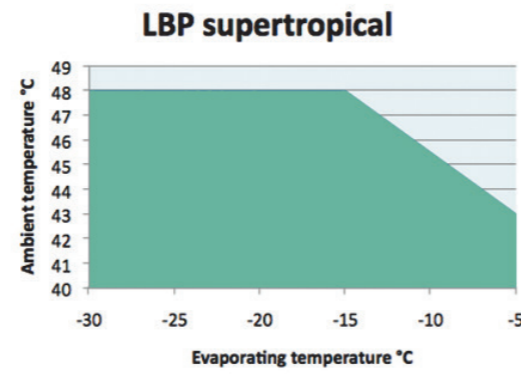
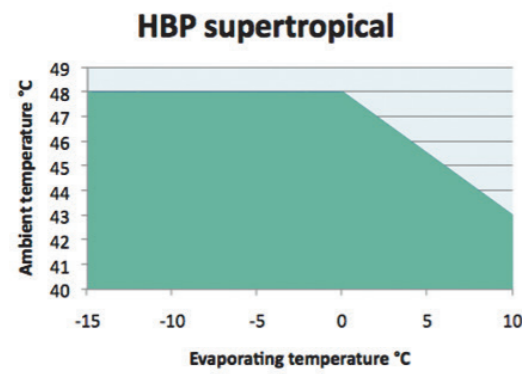
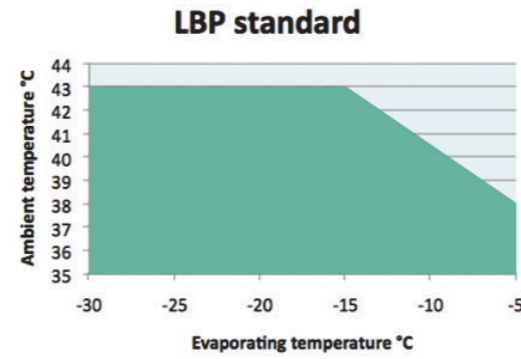
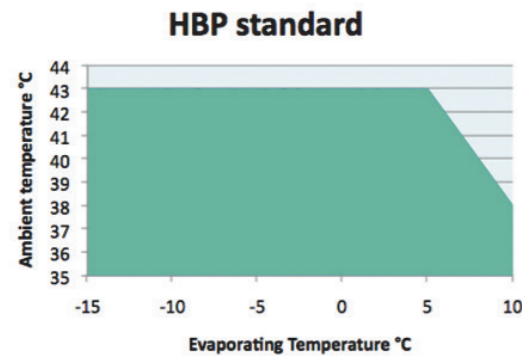
TECHNICAL
INFORMATION



OPERATING ENVELOPE

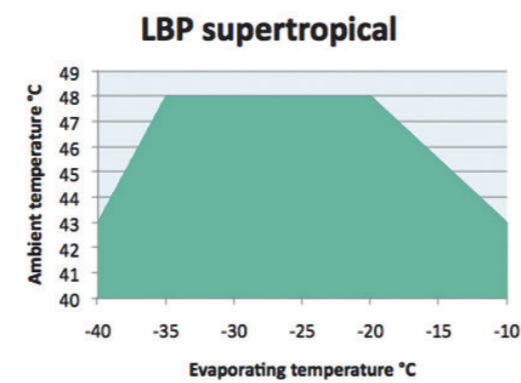
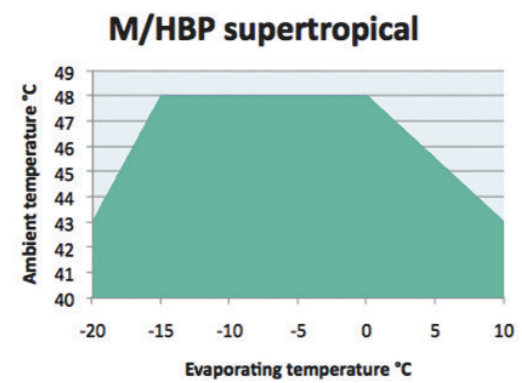
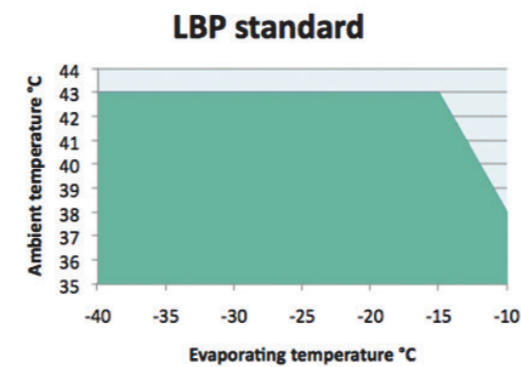
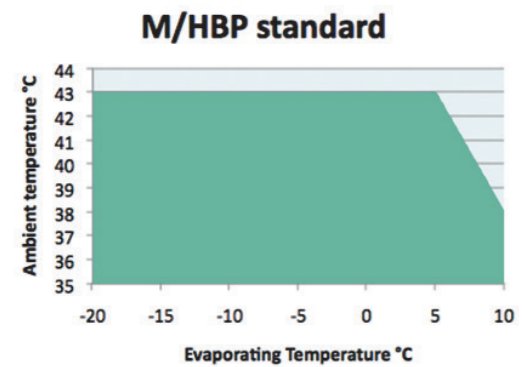
R134a

Note: usage of condensing unit outside the intended working range cannot make use of the warranty, or should be consulted with Technical support.



R404A R507 R452A R290

Note: usage of condensing unit outside the intended working range cannot make use of the warranty, or should be consulted with Technical support.



APPLICATIONS

LBP	LOW BACK PRESSURE	APPLICATIONS:
	Evaporating temperature lower than -20° C	refrigerators, frozen food cabins, frozen food display cases, display windows, etc.
MBP	MEDIUM BACK PRESSURE	APPLICATIONS:
	Evaporating temperature between -20° C and 0° C	fresh food cabinets, drink coolers, ice makers, etc.
M/HBP	MEDIUM / HIGH BACK PRESSURE	APPLICATIONS:
	Evaporating Temperature between -20° C and +10° C	coolers, merchandisers, etc.
HBP	HIGH BACK PRESSURE	APPLICATIONS:
	High evaporating temperatures between -15° C and +10° C	fresh food cabinets, bottle coolers, dehumidifiers, etc.

TEST CONDITIONS

TEST CONDITIONS	APPLICATION	EVAPORATING TEMPERATURE °C	GAS RETURN TEMPERATURE °C	SUB-COOLING K	COMPRESSOR AMBIENT TEMPERATURE °C
EN 13215	LBP	-35	20	3K	32
	M and HBP	-10	20	3K	32
ASHRAE	LBP	-23.3	32	3K	32
	M and HBP	7,2	32	3K	32

EXPANSION DEVICE

C	Capillary Tube.
V	Expansion Valve.

MOTOR TORQUE

LST	(Low Starting Torque) Compressor with RSIR - RSCR - PSC electrical motor for systems with capillarity tube and with equalized pressures at start up.
HST	(High Starting Torque) Compressor with CSIR - CSR and 3ph electrical motor for systems with capillarity equalized or not equalized pressures at start up.

ELECTRICAL MOTOR TYPES

RSIR	Resistance Start – Inductive Run This motor type, used in the compressor of small power, has a low starting torque (LST) and must be applied only to capillary tube systems where the pressures equalize. The motor is characterized by a start winding with high ohmic resistance and must be disconnected when it reaches the stabilized rotational speed. An electromagnetic relay, calibrated for the motor current, disconnects the start winding at the end of the start up. An alternative to the electromagnetic relay is, for some models, a PTC solid state-starting device.
RSCR	Resistance Start – Capacitive Run Similar to RSIR motor version but uses a PTC solid state starting device and a permanent connected run capacitor to improve its efficiency.
CSIR	Capacitive Start – Inductive Run Similar to RSIR motor, with a different start winding in series with a start capacitor of suitable capacitance to get a high starting torque.
CSR	Capacitive Start & Run CSR version with capacitive run and start windings. Same as PSC motor but with a start capacitor in series with the start winding. A potential starting relay, calibrated for each motor, disconnects the start capacitor at the end of the start. The motor is characterized by a high starting torque (HST) and high efficiency.
PSC	Permanent Split Capacitor: PSC version with capacitive run winding. This motor is characterized by the run capacitor permanently connected in series with the start winding; both remain connected even after the motor starts. The starting torque is enough to guarantee that the compressor starts only with balanced pressures in capillary tubes systems or with a pressure equalizer.
3Ø	Three Phase Three-phase windings with star connections.

ELECTRICAL COMPONENTS

TYPE OF MOTOR	Overload Protector (*)	STARTING DEVICE				CAPACITOR	
		Current Relay	Voltage Relay	PTC	TSD	Start	Run
RSIR	√	√	X	√	X	X	X
RSCR	√	X	X	√	√	X	√
CSIR	√	√	X	X	X	√	X
CSR	√	X	√	X	X	√	√
PSC	√	X	X	X	X	X	√
3-Phases	√	X	X	X	X	X	X

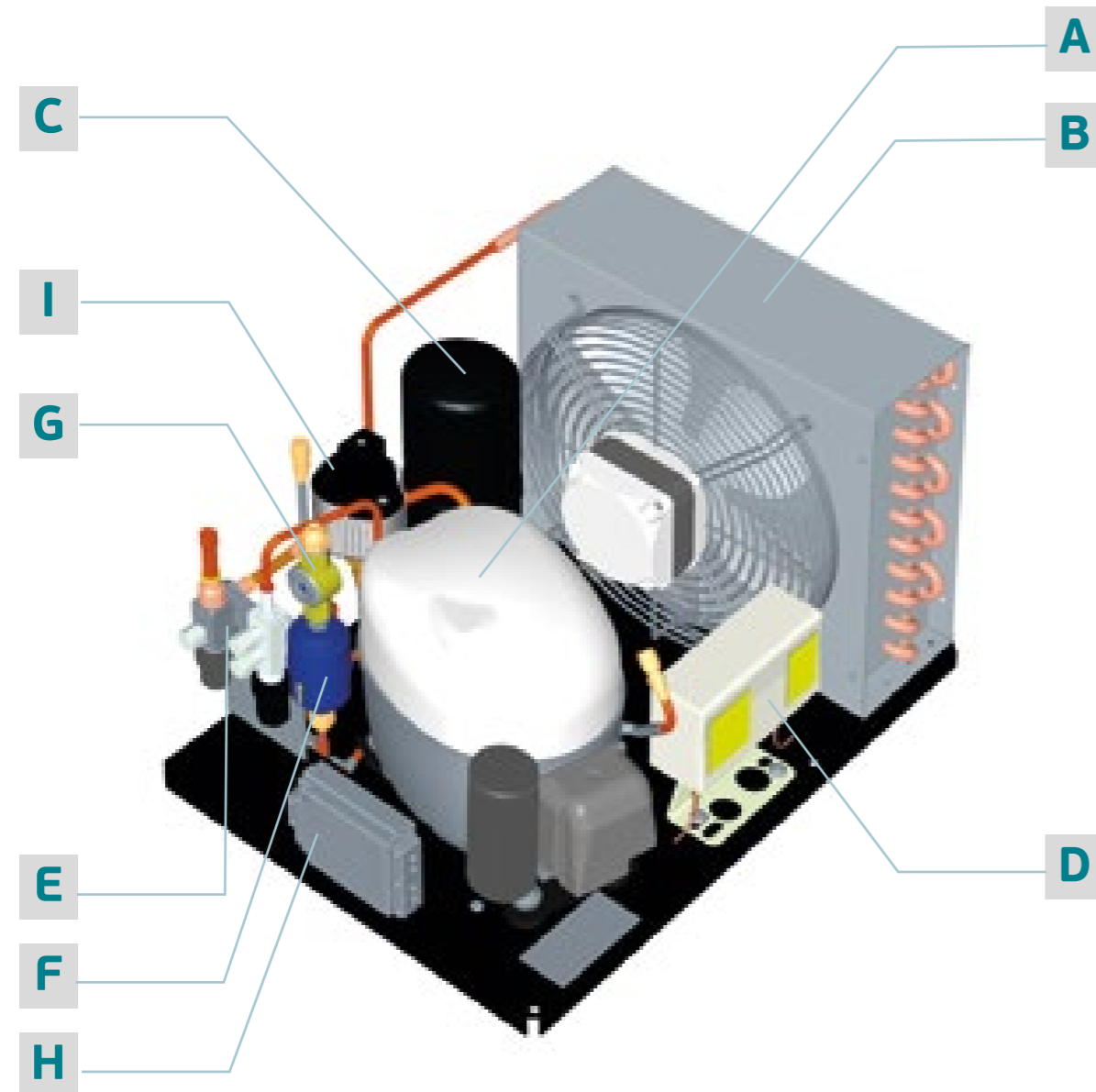
* Optional

VOLTAGE & FREQUENCY

Code	Voltage & Frequency	Voltage Working Range		Minum Start Voltage	
		50Hz	60Hz	50Hz	60Hz
A	220 - 240V 50Hz 1 ~	198V - 254V		187V	
B	200 - 230V 50Hz / 208 - 230V 60Hz 1 ~	180V - 244V	187V - 244V	170V	177V
C	220V 50Hz 1 ~	200V - 242V		187V	
D	208 - 230V 60Hz 1 ~		187V - 244V		177V
E	115 - 127V 60Hz 1 ~		103V - 134V		98V
F	100V 50 Hz / 100 - 127V 60Hz 1 ~	90V - 110V	90V - 134V	85V	85V
G	115V 60Hz 1 ~		103V - 127V		98V
J	230V 60Hz 1 ~		207V - 253V		195V
K	200 - 220 V 50 Hz / 230 V 60 Hz 1~	180V - 234V	207V - 253V	170V	195V
M	380 - 420V 50Hz / 440 - 480V 60 Hz 3 ~	332V - 445V		323V	
N	200 - 240V 50Hz / 230V/60Hz 1 ~	180V - 254V	207V -253V	170V	195V
P	380V 60Hz 3 ~		342V -418V		323V
Q	100V 50 / 60 Hz 1~	90V - 110V	90V -110V	85V	85V
R	200V 50 / 60Hz 3 ~	180V - 220V	180V - 220V	170V	170V
V	230V 50Hz 1 ~	207V - 253V		195V	
X	220 - 240V 50 / 60 Hz 1 ~	150V (160V*) - 240V		150V (160V*)	
Z	200 - 230V 60Hz 1 ~		180V - 244V		170V

* Depending on compressor family, for details contact Technical Support.

ACCESSORIES & EXECUTION NAKED UNIT



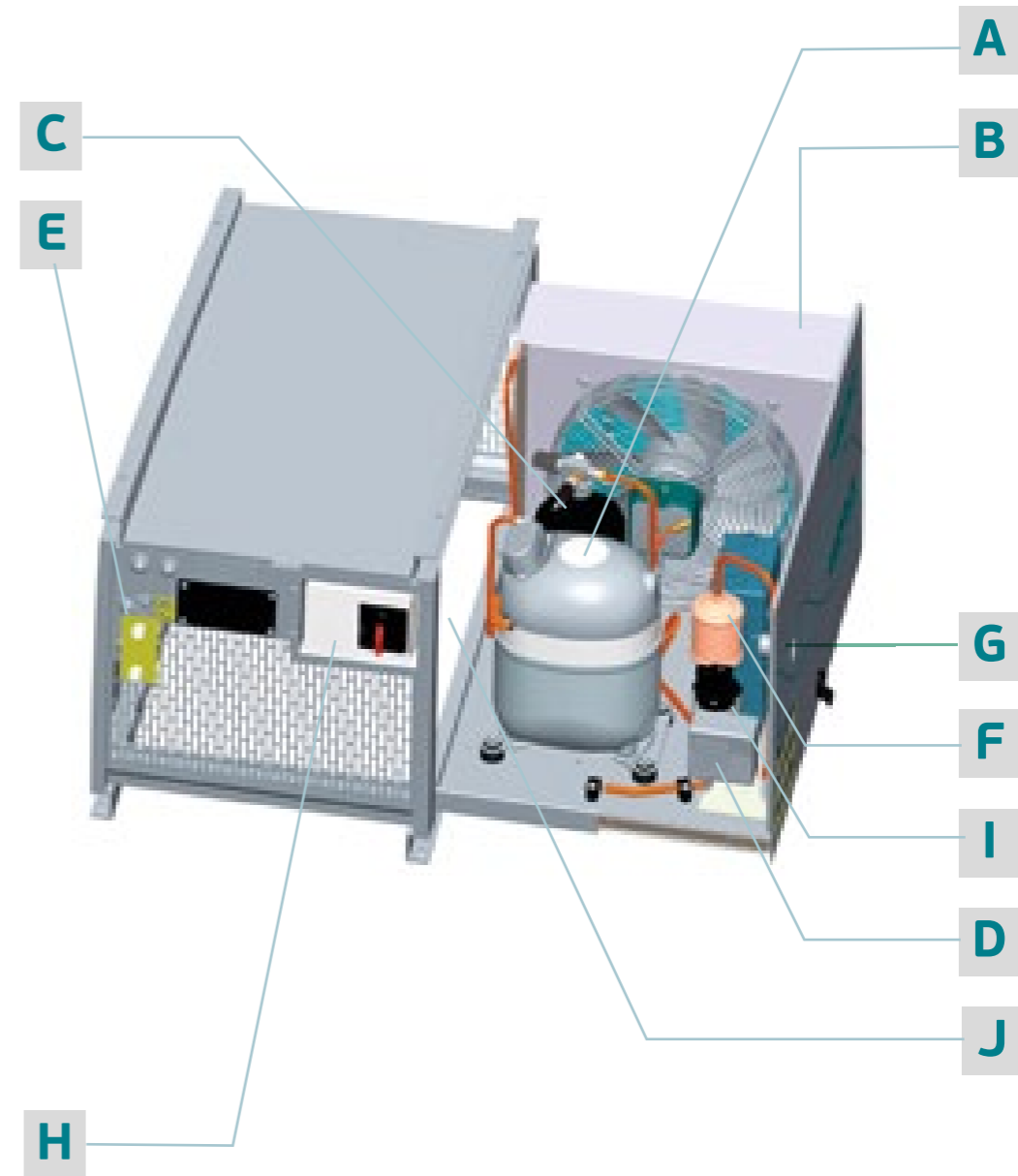
MAIN PARTS

A - Compressor / B - Condenser & Fan Mmotor

OPTIONAL PARTS

C - Receiver / D - Pressure switch / E - Valves / F - Filter drier / G - Sight glass / H - Electrical box / I - Fan speed control

ACCESSORIES & EXECUTION SLIDING UNIT



MAIN PARTS

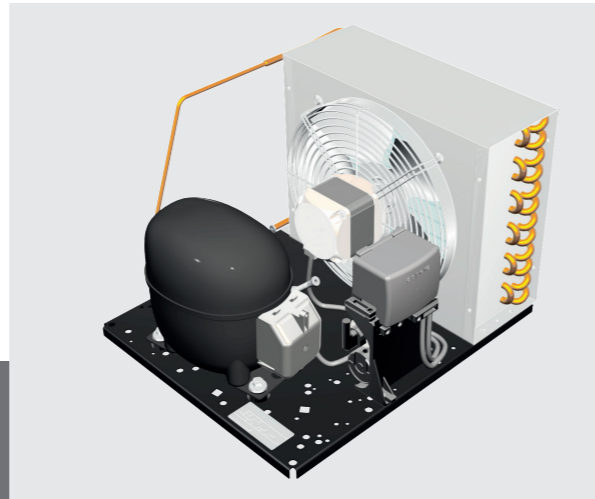
A - Compressor / B - Condenser & Fan Motor

OPTIONAL PARTS

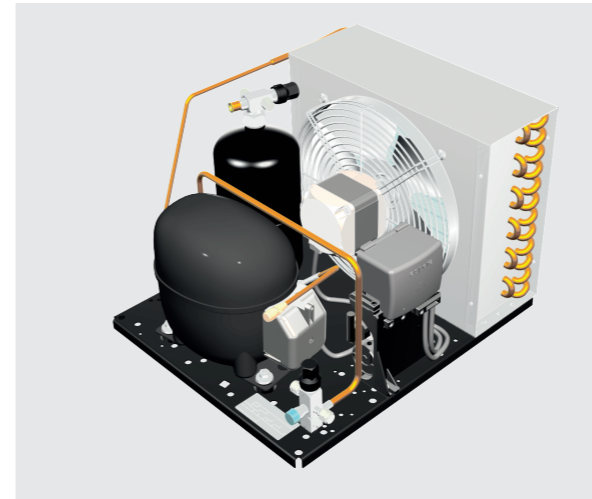
C - Receiver / D - Pressure switch / E - Valves / F - Filter drier / G - Sight glass / H - Electrical box / I - Fan speed control / J - Connect line to the top of unit

CONDENSING UNIT EXECUTIONS

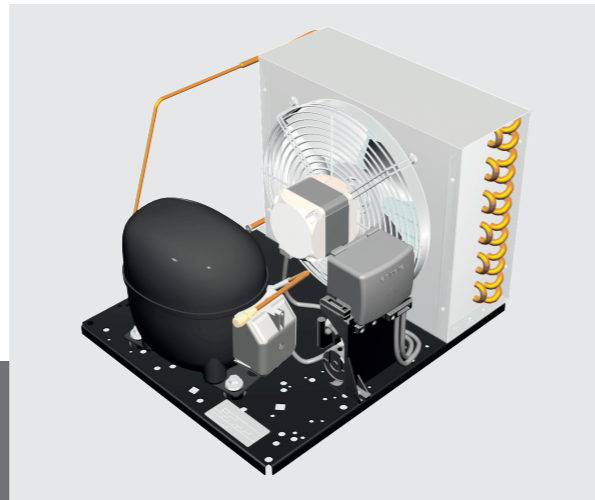
w/o receiver - w/o valves



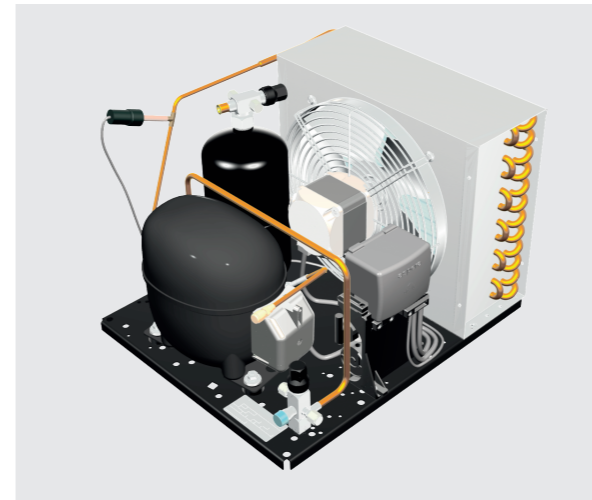
receiver - schrader valve - valves (flare or solder)



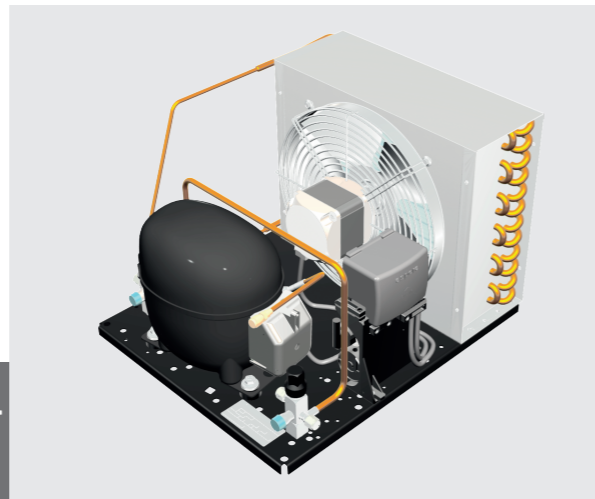
w/o receiver - schrader valve



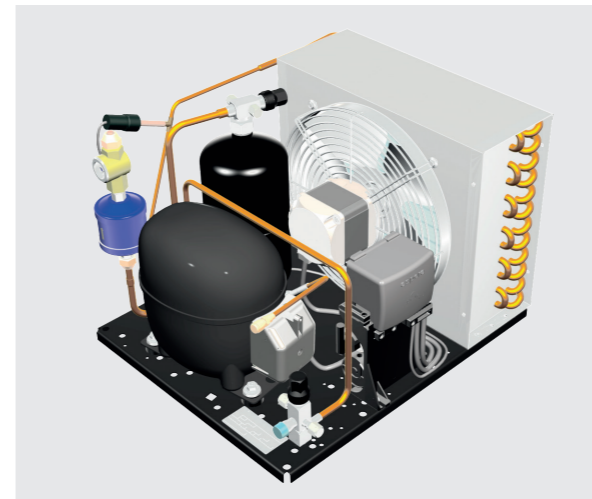
receiver - schrader valve - valves (flare or solder) - pressure switch



w/o receiver - schrader valve - valves (flare or solder)



receiver - schrader valve - valves (flare or solder) - pressure switch - liquid line



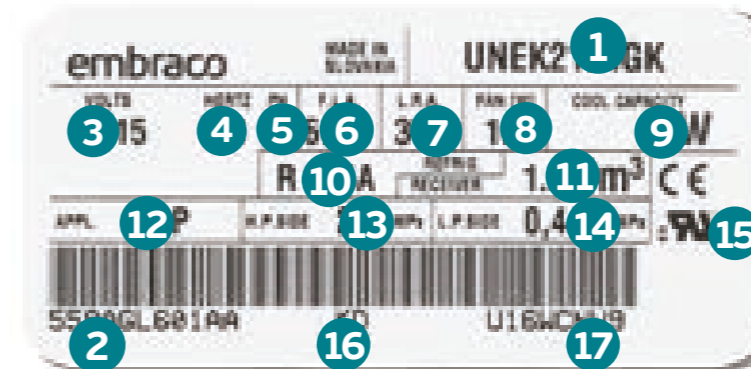
PACKAGING

CDU	QUANTITY PER PALLET
UEM	24
UNE	from 12 to 24
UNT	from 8 to 21
UNJ	from 4 to 12
UGN	4
SLIDING UNITS	1



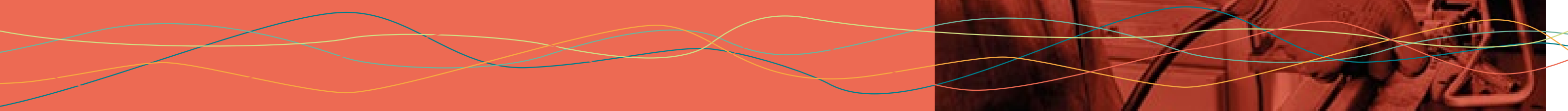
IDENTIFICATION LABEL

UEM/UNE/UNT/UNJ/UGN/SLIDING UNITS



- 1 Condensing unit model
- 2 Condensing unit bill of material
- 3 Voltage
- 4 Frequency
- 5 Phases
- 6 Full load amperage
- 7 Locked rotor amperage
- 8 Fan output
- 9 Cooling capacity at rated point
- 10 Refrigerant
- 11 Receiver volume
- 12 Application type
- 13 Maximum pressure at high side
- 14 Maximum pressure at low side
- 15 Agency approvals
- 16 Date of production code
- 17 serial No.

GENERAL DATA &
PERFORMANCE



R134a • LBP • 50Hz

SERIES	MODEL	VOLTAGE & FREQUENCY CODE	MOTOR TYPE	DISPL. cm ³	LRA A	HP	PERFORMANCE DATA ASHRAE										PERFORMANCE DATA EN13215										RECEIVER VOLUME liter	VALVE CONNECTION EXT. DIAMETER		FAN				WEIGHT (REF. ONLY) kg	OVERALL DIMENSIONS				CONDENSER		MODEL
							EVAPORATING TEMPERATURE °C																					SUCTION	LIQUID	EXTERNAL DIAMETER	No. / ANGLE OF BLADES	No. OF FANS	AIR FLOW RATE		A	B	C	EXT. VIEW REF.	No. OF ROWS	No. OF TUBES	
							RATED POINT -23,3 °C					RATED POINT -35 °C					-30	-25	-20	-15	-10	-5	inch	inch	mm				m ³ /h	mm	mm	mm									
							COOLING W	POWER INPUT W	CURRENT A	EFFICIENCY W/W		COOLING W	POWER INPUT W	EFFICIENCY W/W	W	W	W	W	W	W	W																				
UEMT	UEMT49HLP	A	RSIR	5,57	5,2	1/5	150	115	1,02	1,30	93	110	0,85	115	142	183	228	283	341		-	3/8	1/4	200	5/28°	1	360	14,0	430	306	226	DWG01	2	8	UEMT49HLP						
UNE	UNE2121Z	A	CSIR	9,27	12,6	1/3	308	269	2,00	1,14	123	162	0,76	188	263	349	451	566	692		0,6	3/8	1/4	200	5/28°	1	300	17,2	430	306	226	DWG05	3	8	UNE2121Z						
	UNE2130Z	A	CSIR	12,12	13,2	1/3	322	279	2,15	1,15	188	201	0,94	231	289	361	448	549	664		1,1	3/8	1/4	230	5/28°	1	300	16,5	435	308	254	DWG05	3	9	UNE2130Z						
	UNE2134Z	A	CSIR	14,30	17,0	1/2	387	285	2,25	1,36	205	216	0,95	242	304	392	490	609	733		1,1	3/8	1/4	254	5/28°	1	595	20,0	465	340	296	DWG08	3	11	UNE2134Z						
	UNEK1116Z	A	RSIR	7,40	5,3	1/4	203	182	1,07	1,12	90	119	0,76	112	151	201	260	331	406		-	3/8	1/4	200	5/28°	1	360	14,9	430	306	226	DWG05	2	8	UNEK1116Z						
	UNEK1118Z	A	RSIR	8,40	6,9	1/3	244	185	1,19	1,32	101	133	0,76	141	188	251	330	420	522		-	3/8	1/4	200	5/28°	1	360	15,3	430	306	226	DWG05	2	8	UNEK1118Z						
	UNEK2116Z	A	CSIR	7,40	10,0	1/4	197	191	1,37	1,03	104	135	0,77	124	155	200	265	341	439		-	3/8	1/4	200	5/28°	1	360	16,5	430	306	226	DWG05	2	8	UNEK2116Z						
UNEK2140Z	A	CSIR	16,80	19,0	1/2+	UD	UD	UD	UD	216	262	0,82	298	388	505	640	785	944		1,1	3/8	1/4	254	5/28°	1	595	20,0	465	340	296	DWG08	3	11	UNEK2140Z							

Note:
 Expansion device C/V
 Expansion device C: UEMT49HLP, UNEK1116Z, UNEK1118Z, UNEK2116Z
 UD - Under Development
 High efficiency versions of UNEK models (UNEU) available on demand

R134a • HBP • 50Hz

SERIES	MODEL	VOLTAGE & FREQUENCY CODE	MOTOR TYPE	DISPL. cm ³	LRA A	HP	PERFORMANCE DATA ASHRAE												PERFORMANCE DATA EN13215												RECEIVER VOLUME liter	VALVE CONNECTION EXT. DIAMETER		FAN			WEIGHT (REFERENCE ONLY) kg	OVERALL DIMENSIONS				CONDENSER		MODEL
							EVAPORATING TEMPERATURE °C																SUCTION INCH	LIQUID INCH	EXTERNAL DIAMETER mm	NO. / ANGLE OF BLADES	NO. OF FANS	AIR FLOW RATE m ³ /h	A mm	B mm		C mm	EXT. VIEW REF.	NO. OF ROWS	NO. OF TUBES									
							RATED POINT 7,2 °C				-15	RATED POINT -10 °C				-5	0	5	10																									
							COOLING W	POWER INPUT W	CURRENT A	EFFICIENCY W/W	W	COOLING W	POWER INPUT W	EFFICIENCY W/W	W	W	W	W																										
UEMT	UEMT37HDP	A	RSIR	3,40	5,4	1/8	UD	UD	UD	UD	166	204	130	1,57	251	310	362	429	-	3/8	1/4	200	5/28°	1	300	13,5	430	308	226	DWG02	3	8	UEMT37HDP											
	UEMT45HDR	A	CSIR	3,97	8,8	1/7	447	185	1,26	2,42	185	230	142	1,62	277	335	399	474	-	3/8	1/4	200	5/28°	1	300	13,8	430	308	226	DWG02	3	8	UEMT45HDR											
	UEMT50HDP	A	RSIR	4,50	9,1	1/6	UD	UD	UD	UD	208	261	152	1,72	324	390	463	556	0,6	3/8	1/4	200	5/28°	1	300	13,8	430	308	226	DWG02	3	8	UEMT50HDP											
	UEMT6144Z	A	CSIR	5,20	8,5	1/5	573	235	1,48	2,44	221	280	176	1,59	349	431	523	625	0,6	3/8	1/4	200	5/28°	1	300	15,2	430	308	226	DWG02	3	8	UEMT6144Z											
	UEMT6160Z	A	CSIR	6,76	9,8	1/4	758	314	1,87	2,41	297	373	228	1,64	465	550	630	750	1,1	3/8	1/4	230	5/28°	1	420	15,5	435	308	254	DWG03	3	9	UEMT6160Z											
	UEMT6170Z	A	CSIR	7,69	10,4	1/3	757	381	2,24	1,99	352	432	261	1,66	520	617	722	836	1,1	3/8	1/4	230	5/28°	1	420	15,5	435	308	254	DWG03	3	9	UEMT6170Z											
UNE	UNEK6160Z	A	CSIR	7,28	11,5	1/4	753	306	2,10	2,46	295	371	237	1,57	457	553	660	777	1,1	3/8	1/4	230	5/31°	1	420	18,9	435	305	254	DWG05	3	9	UNEK6160Z											
	UNEK6170Z	A	CSIR	8,40	12,4	1/4	836	348	2,25	2,40	336	419	259	1,62	514	619	735	862	1,1	3/8	1/4	230	5/31°	1	420	19,3	435	305	254	DWG05	3	9	UNEK6170Z											
	UNEK6187Z	A	CSIR	10,00	16,1	1/3	958	418	2,86	2,29	359	457	308	1,48	574	711	870	1043	1,1	3/8	1/4	254	5/28°	1	320	21,0	465	340	296	DWG08	3	11	UNEK6187Z											
	UNEK6210Z	A	CSIR	12,12	19,5	1/3+	1228	497	2,90	2,47	466	581	391	1,49	704	835	975	1123	1,1	3/8	1/4	254	5/28°	1	595	21,7	465	340	296	DWG08	3	11	UNEK6210Z											
	UNEK6212Z	A	CSIR	14,30	19,5	1/2+	1448	730	3,95	1,98	539	664	446	1,49	807	969	1149	1348	1,1	3/8	1/4	254	5/28°	1	595	21,5	465	340	296	DWG08	3	11	UNEK6212Z											
UNEK6212Z	B	CSR	14,30	22,5	1/2+	1456	698	3,86	2,09	517	637	426	1,50	795	1001	1205	1421	1,0	3/8	1/4	254	5/28°	1	660	21,7	465	340	296	DWG08	3	11	UNEK6212Z												
UNEK6214Z	A	CSIR	16,80	25,5	1/2+	1492	753	5,17	1,98	619	762	530	1,44	923	1100	1294	1505	1,0	3/8	1/4	254	5/28°	1	595	21,7	465	340	296	DWG08	3	11	UNEK6214Z												
UNEK6210Z	A	CSIR	12,12	19,5	1/3+	1253	554	3,49	2,26	509	639	394	1,62	782	937	1105	1285	1,1	3/8	1/4	254	5/28°	1	595	21,7	465	340	296	DWG08	3	11	UNEK6210Z												
UNT	UNT6215Z	N	CSIR	17,40	21,0	1/2+	1483	593	5,52	2,50	682	860	508	1,69	1056	1272	1507	1761	1,2	3/8	1/4	254	5/28°	1	740	28,2	465	340	296	DWG14	3	11	UNT6215Z											
	UNT6217Z	A	CSR	20,40	25,0	3/4	1781	745	5,65	2,39	773	953	615	1,55	1171	1426	1718	2048	2,3	1/2	3/8	275	5/31°	1	640	30,0	470	395	324	DWG15	3	12	UNT6217Z											
	UNT6220Z	N	CSIR	22,40	29,0	3/4	1970	960	5,99	2,05	910	1148	637	1,80	1413	1704	2020	2364	2,3	1/2	3/8	275	5/31°	1	640	33,5	470	395	324	DWG19	3	12	UNT6220Z											
	UNTU6224Z	A	CSR	27,80	UD	UD	UD	UD	UD	UD	1247	1456	780	1,87	1834	2213	2588	3095	2,3	1/2	3/8	275	5/31°	1	640	UD	UD	UD	UD	UD	3	12	UNTU6224Z											
UNJ	UNJ6220Z	A	CSR	26,10	35,0	4/5	2338	1080	6,79	2,16	989	1254	765	1,64	1547	1868	2216	2592	2,3	1/2	3/8	275	5/31°	1	640	36,9	481	409	324	DWG27	3	12	UNJ6220Z											
	UNJ6220ZX	M	3 PH	26,10	10,0	4/5	2285	1004	2,28	2,28	1015	1259	724	1,74	1534	1838	2210	2538	2,3	1/2	3/8	275	5/31°	1	640	35,4	481	409	324	DWG28	3	12	UNJ6220ZX											
	UNJ6226Z	A	CSR	34,40	31,0	1+	3006	1355	6,75	2,22	1217	1531	987	1,55	1896	2312	2759	3244	2,3	5/8	3/8	275	5/31°	1	640	37,5	481	409	324	DWG27	3	12	UNJ6226Z											
	UNJ6226ZX	M	3 PH	34,40	13,0	1	2796	1293	2,40	2,16	1217	1531	905	1,69	1896	2312	2759	3244	2,3	5/8	3/8	275	5/31°	1	640	36,5	481	409	324	DWG28	3	12	UNJ6226ZX											

Note:
 Expansion device C/V
 Expansion device C: UEMT37HDP, UEMT50HDP
 UD - Under Development

High efficiency versions of UNEK models (UNEK) available on demand

R404A / R507 / R452A - LBP • 50Hz

SERIES	MODEL	VOLTAGE & FREQUENCY CODE	MOTOR TYPE	DISPL. cm ³	LRA A	HP	PERFORMANCE DATA ASHRAE										PERFORMANCE DATA EN13215										RECEIVER VOLUME LITER	VALVE CONNECTION EXTERNAL DIAMETER		FAN				WEIGHT (REFERENCE ONLY) kg	OVERALL DIMENSIONS				CONDENSER		MODEL
							EVAPORATING TEMPERATURE °C																					SUCTION inch	LIQUID inch	EXTERNAL DIAMETER mm	NO. / ANGLE OF BLADES	NO. OF FANS	AIR FLOW RATE m ³ /h		A mm	B mm	C mm	EXT. VIEW REF.	NO. OF ROWS	NO. OF TUBES	
							RATED POINT -23,3 °C				-40 W	RATED POINT -35 °C				-30 W	-25 W	-20 W	-15 W	-10 W																					
							COOLING W	POWER INPUT W	CURRENT A	EFFICIENCY W/W		COOLING W	POWER INPUT W	EFFICIENCY W/W																											
UEMT	UEMT2117GK	A	CSIR	4,50	7,7	1/4	UD	UD	UD	UD	UD	145	144	1,01	UD	UD	UD	UD	UD	UD	0,6	3/8	1/4	200	5/28°	1	300	17,1	430	308	226	DWG02	3	8	UEMT2117GK						
	UEMT2121GK	A	CSIR	5,20	8,5	1/4+	327	222	1,46	1,47	308	183	175	1,05	229	286	354		431	519	0,6	3/8	1/4	200	5/28°	1	300	18,2	430	308	226	DWG02	3	8	UEMT2121GK						
	UEMT2125GK	A	CSIR	5,96	9,8	1/2-	362	265	1,72	1,37	156	203	213	0,95	257	317	384		458	538	1,1	3/8	1/4	230	5/31°	1	420	15,4	435 / 17,13	308 / 12,13	254 / 10,00	DWG03	3	9	UEMT2125GK						
	UEMT2130GK	A	CSIR	6,76	12,4	1/2	UD	UD	UD	UD	UD	239	240	1,00	UD	UD	UD		UD	UD	1,1	3/8	1/4	230	5/31°	1	420	15,4	435 / 17,13	308 / 12,13	254 / 10,00	DWG03	3	9	UEMT2130GK						
UNE	UNEK2125GK	A	CSIR	6,20	12,4	1/2	410	342	2,48	1,20	143	185	205	0,90	236	296	364		441	527	1,1	3/8	1/4	230	5/31°	1	420	17,4	435 / 17,13	306 / 12,05	254 / 10,00	DWG05	3	9	UNEK2125GK						
	UNEK2134GK	A	CSIR	8,78	16,1	1/2+	490	342	2,77	1,43	180	216	229	0,94	315	401	476		576	687	1,1	3/8	1/4	254	5/28°	1	595	20,0	465 / 18,31	340 / 13,39	296 / 11,65	DWG08	3	11	UNEK2134GK						
																					1,1																				
		UNEK2150GK	A	CSIR	12,12	19,5	3/4	639	530	3,52	1,21	270	322	340	0,95	392	481	589		725	880	1,1	3/8	1/4	254	5/28°	1	595	21,6	465 / 18,31	340 / 13,39	296 / 11,65	DWG08	3	11	UNEK2150GK					
																					1,1																				
		UNEK2168GK	A	CSIR	14,30	18,5	1+	735	617	3,92	1,19	261	367	384	0,95	484	643	825		994	1153	1,1	3/8	1/4	254	5/28°	1	460	23,8	491 / 19,33	340 / 13,39	296 / 11,65	DWG08	4	11	UNEK2168GK					
																					1,1																				
	UNEK2168GK	A	CSIR	14,30	22,0	1+	UD	UD	UD	UD	332	430	460	0,93	547	683	838		1011	1203	1,1	3/8	1/4	254	5/28°	1	460	26,8	465 / 18,31	340 / 13,39	296 / 11,65	DWG06	4	11	UNEK2168GK						
UNT	UNT2168GK	N	CSR	14,50	25,5	1+	832	655	2,92	1,27	264	367	375	0,98	492	645	810		1013	1246	1,1	3/8	1/4	254	5/28°	1	460	26,8	476 / 18,74	340 / 13,39	296 / 11,65	DWG17	4	11	UNT2168GK						
	UNT2178GK	A	CSIR	17,40	25,0	1 1/4-	891	655	4,39	1,36	334	453	458	0,99	587	735	897		1073	1263	1,2	3/8	1/4	254	5/28°	1	460	27,5	476 / 18,74	340 / 13,39	296 / 11,65	DWG17	4	11	UNT2178GK						
	UNT2180GK	A	CSIR	20,40	34,5	1 1/4	973	701	4,20	1,39	403	513	535	0,96	653	831	1012		1232	1471	1,2	3/8	1/4	254	5/28°	1	460	28,6	476 / 18,74	340 / 13,39	296 / 11,65	DWG17	4	11	UNT2180GK						
	UNT2192GK**	A	CSR	22,40	34,5	1 1/2	1113	842	5,50	1,32	394	523	581	0,90	691	896	1142		1443	1787	2,3	3/8	1/4	275	5/31°	1	800	36,2	470 / 18,50	395 / 15,55	324 / 12,76	DWG15	3	12	UNT2192GK						
	UNT2210GK	A	CSR	26,20	33,0	1 3/4-	1258	998	5,20	1,26	524	711	743	0,96	905	1105	1311		1524	1744	2,3	1/2	3/8	275	5/31°	1	800	34,6	470 / 18,50	395 / 15,55	324 / 12,76	DWG15	3	12	UNT2210GK						
	UNT2212GK**	A	CSR	27,80	33,0	2-	1443	991	5,25	1,46	636	823	767	1,07	1032	1263	1516		1791	2089	2,3	1/2	3/8	275	5/31°	1	800	34,6	470 / 18,50	395 / 15,55	324 / 12,76	DWG15	3	12	UNT2212GK						
UNJ	UNJ2192GK	A	CSR	26,10	26,0	1 1/2	1198	942	4,75	1,27	510	689	734	0,94	888	1107	1345		1604	1882	2,3	1/2	3/8	275	5/31°	1	800	37,8	481 / 18,94	409 / 16,10	324 / 12,76	DWG27	3	12	UNJ2192GK						
	UNJ2192G5	M	3 PH	26,10	13,5	1 1/4+	1081	900	2,28	1,20	359	495	533	0,93	657	846	1063		1320	1605	2,3	1/2	3/8	275	5/31°	1	800	36,2	481 / 18,94	409 / 16,10	324 / 12,76	DWG28	3	12	UNJ2192G5						
	UNJ2212GK	A	CSR	34,40	36,0	2	1599	1175	6,05	1,36	488	717	745	0,96	962	1251	1574		1950	2366	2,3	5/8	3/8	275	5/31°	1	800	39,0	481 / 18,94	409 / 16,10	324 / 12,76	DWG27	3	12	UNJ2212GK						
	UNJ2212G5	M	3 PH	34,40	20,6	2+	1599	1479	2,38	1,08	654	902	770	1,17	1151	1402	1654		1909	2165	2,3	5/8	3/8	275	5/31°	1	800	38,2	481 / 18,94	409 / 16,10	324 / 12,76	DWG28	3	12	UNJ2212G5						
	UNT2192GK**	A	CSR	22,4	34,5	1 1/2	1113	842	5,5	394	523	581	0,90	0	896	1142		1142	1787	2,3	3/8	1/4	275	5/31°	1	800	36,2	470 / 18,50	395 / 15,55	324 / 12,76	1955401	3	12	UNT2192GK**							
	CSIR	35																																							

Note:
 Expansion device C/V
 UD - Under Development
 ** Available also in CSIR execution and assembly group DWG17

High efficiency versions of UNEK models (UNEU) available on demand

R404A / R507 / R452A - M/HBP • 50Hz

SERIES	MODEL	VOLTAGE & FREQUENCY CODE	MOTOR TYPE	DISPL. cm ³	LRA A	HP	PERFORMANCE DATA ASHRAE				PERFORMANCE DATA EN13215										RECEIVER VOLUME liter	VALVE CONNECTION EXTERNAL DIAMETER		FAN				WEIGHT (REFERENCE ONLY) kg	OVERALL DIMENSIONS				CONDENSER		MODEL		
							EVAPORATING TEMPERATURE °C																SUCTION inch	LIQUID inch	EXTERNAL DIAMETER mm	NO. / ANGLE OF BLADES	NO. OF FANS		AIR FLOW RATE m ³ /h	A mm	B mm	C mm	EXT. VIEW REF.	NO. OF ROWS		NO. OF TUBES	
							RATED POINT 7,2 °C				-20 W	-15 W	RATED POINT -10 °C			-5 W	0 W	5 W	10 W																		
							COOLING W	POWER INPUT W	CURRENT A	EFFICIENCY W/W			COOLING W	POWER INPUT W	EFFICIENCY W/W																						
UEMT	UEMT6144GK	A	CSIR	3,97	7,7	1/5	649	296	1,68	2,19	266	323	385	222	1,73	452	519	599	680	0,6	3/8	1/4	200	5/28°	1	300	17,1	430	308	226	DWG02	3	8	UEMT6144GK			
	UEMT6152GK	A	CSIR	4,50	8,5	1/4	676	581	1,94	1,16	259	326	395	225	1,76	470	549	631	716	0,6	3/8	1/4	200	5/28°	1	300	13,3	430	308	226	DWG02	3	8	UEMT6152GK			
	UEMT6165GK	A	CSIR	5,20	10,4	1/4	858	407	2,32	2,11	310	395	477	266	1,79	583	697	799	908	1,1	3/8	1/4	200	5/28°	1	420	16,5	435	308	254	DWG03	3	9	UEMT6165GK			
UNE	UNEK6165GK	A	CSIR	6,20	12,4	1/3	UD	UD	UD	UD	350	410	500	319	1,57	628	754	923	1065	1,1	3/8	1/4	200	5/28°	1	420	16,5	435	308	254	DWG05	3	9	UNEK6165GK			
	UNEK6181GK	A	CSIR	7,28	12,0	1/2-	1252	620	2,70	2,02	368	470	585	395	1,48	715	860	1020	1130	1,1	3/8	1/4	254	5/28°	1	595	21,0	467	339	296	DWG08	3	11	UNEK6181GK			
	UNEK6210GK	A	CSIR	8,78	16,1	1/2	1302	628	3,91	2,07	501	611	731	489	1,49	859	995	1140	1294	1,1	3/8	1/4	254	5/28°	1	595	21,4	467	339	296	DWG08	3	11	UNEK6210GK			
	UNEK6213GK	A	CSIR	12,12	19,3	1/2+	1531	1074	5,97	1,43	633	802	966	634	1,52	1130	1292	1480	1730	1,1	3/8	1/4	254	5/28°	1	595	22,6	467	339	296	DWG08	3	11	UNEK6213GK			
	UNEK6213GK	A	CSR	12,12	14,1	1/2+	1502	843	3,92	1,78	UD	UD	UD	UD	UD	UD	UD	UD	UD	1,1	3/8	1/4	254	5/28°	1	595	22,6	467	339	296	DWG08	3	11	UNEK6213GK			
	UNEK6217GK	A	CSR	14,30	21,5	3/4	1946	799	4,10	2,44	827	1010	1205	734	1,64	1412	1630	1859	2100	2,3	1/2	3/8	275	5/31°	1	640	28,5	470	395	324	DWG09	3	12	UNEK6217GK			
	UNEK6210GK	A	CSIR	7,28	16,0	UD	UD	UD	UD	UD	469	565	675	416	1,62	798	933	1082	1244	1,1	3/8	1/4	254	5/28°	1	595	21,4	465	340	296	UD	3	11	UNEK6210GK			
	UNT6217GK	A	CSIR	12,55	23,0	3/4	1912	882	5,30	2,17	697	873	1063	630	1,69	1268	1487	1720	1968	2,3	1/2	3/8	275	5/31°	1	640	31,8	470	395	324	DWG09	3	12	UNT6217GK			
	UNT6220GK **	N	CSR	14,50	29,5	3/4+	2124	1095	5,15	1,94	830	1046	1269	715	1,77	1495	1733	1975	2223	2,3	1/2	3/8	275	5/31°	1	640	35,1	470	395	324	DWG15	3	12	UNT6220GK			
UNJ	UNJ9226GK	V	CSR	21,70	27,5	1+	3141	1403	6,70	2,24	1047	1364	1701	1035	1,64	2071	2473	2909	3360	2,3	5/8	3/8	300	5/28°	1	700	39,2	512	410	372	DWG29	3	14	UNJ9226GK			
	UNJ9226G5	M	3 PH	21,70	10,0	1	2720	1300	2,78	2,09	883	1107	1339	950	1,41	1580	1831	2091	2360	2,3	5/8	3/8	300	5/28°	1	700	36,9	512	410	372	DWG28	3	14	UNJ9226G5			
	UNJ9232GK	A	CSR	26,10	43,0	1 1/4	3474	1728	8,12	2,01	1340	1656	1995	1040	1,92	2357	2742	3149	3579	3,9	5/8	1/2	300	***	1	1450	46,1	600	440	372	DWG30	3	14	UNJ9232GK			
	UNJ9232G5	M	3 PH	26,10	13,0	1 1/4	3365	1685	3,35	2,00	1265	1646	2015	1256	1,60	2376	2751	3124	3523	3,9	5/8	1/2	300	***	1	1450	43,8	600	440	372	DWG31	3	14	UNJ9232G5			
	UNJ9238GK	V	CSR	32,70	43,0	1 1/2+	4104	2221	10,01	1,85	1776	2223	2674	1608	1,66	3099	3509	3903	4282	3,9	5/8	1/2	300	***	1	1300	46,8	600	440	372	DWG30	4	14	UNJ9238GK			
UNJ9238G5	M	3 PH	32,70	22,0	1 1/2+	4419	2332	4,49	1,89	1889	2232	2623	1171	2,24	3062	3549	4084	4667	3,9	5/8	1/2	300	***	1	1300	42,0	600	440	372	DWG31	4	14	UNJ9238G5				

Note:
Expansion device C/V
** Available also in CSIR execution and assembly group DWG17 (1955413)
UD - Under Development

High efficiency versions of UNEK models (UNEK) available on demand

R290 • LBP • 50Hz

SERIES	MODEL	VOLTAGE & FREQUENCY CODE	MOTOR TYPE	DISPL. cm ³	LRA A	HP	PERFORMANCE DATA ASHRAE				PERFORMANCE DATA EN13215										RECEIVER VOLUME liter	VALVE CONNECTION EXTERNAL DIAMETER		FAN				WEIGHT (REFERENCE ONLY) kg	OVERALL DIMENSIONS			CONDENSER		MODEL			
							EVAPORATING TEMPERATURE °C																SUCTION inch	LIQUID inch	EXTERNAL DIAMETER mm	NO. / ANGLE OF BLADES	NO. OF FANS		AIR FLOW RATE m ³ /h	A mm	B mm	C mm	EXT. VIEW REF.		NO. OF ROWS	NO. OF TUBES	
							RATED POINT -23,3 °C				-40 W	RATED POINT -35 °C				-30 W	-25 W	-20 W	-15 W	-10 W																	
							COOLING W	POWER INPUT W	CURRENT A	EFFICIENCY W/W		COOLING W	POWER INPUT W	EFFICIENCY W/W																							
UEMT	UEMT2121U	A	CSIR	5,57	7,7	1/3	292	195	1,32	1,50	125	160	169	0,95		203	249	302	365	423	0,6	3/8	1/4	200	5/28°	1	420	16,6	430	308	226	DWG02	3	8	UEMT2121U		
	UEMT2125U	A	CSIR	5,96	9,1	1/3+	318	205	1,59	1,55	135	173	182	0,95		232	281	343	420	486	1,1	3/8	1/4	230	5/28°	1	420	15,4	435	308	254	DWG03	3	9	UEMT2125U		
UNE	UNEK2121U	A	CSIR	6,20	12,4	1/3	291	225	1,83	1,29	111	143	153	0,93		186	243	306	384	505	0,6	3/8	1/4	200	5/28°	1	420	16,6	435	306	254	DWG05	3	8	UNEK2121U		
	UNEK2125U	A	CSIR	7,28	12,4	1/2-	363	250	1,88	1,45	177	203	205	0,99		247	306	378	466	668	0,6	3/8	1/4	230	5/31°	1	420	16,6	435	306	254	DWG05	3	9	UNEK2125U		
	UNEK2134U	A	CSIR	10,00	13,1	1/2+	504	324	2,08	1,56	228	288	285	1,01		340	425	526	643	782	1,1	3/8	1/4	254	5/28°	1	595	18,6	465	340	296	DWG06	3	11	UNEK2134U		
	UNEK2150U	A	CSIR	13,54	19,5	1/2+	648	417	3,23	1,55	256	332	343	0,97		426	543	680	832	1008	1,1	3/8	1/4	254	5/28°	1	595	21,6	465	340	296	DWG06	3	11	UNEK2150U		
	UNEK2160U	A	CSR	16,80	18,0	3/4	785	507	2,78	1,55	312	405	383	1,06		508	642	793	971	1165	1,1	3/8	1/4	254	5/28°	1	595	21,6	465	340	296	DWG06	3	11	UNEK2160U		
	UNEU2155U	A	CSR	13,54	17,1	3/4	674	440	2,80	1,53	290	370	320	1,16		465	570	708	850	1025	1,1	3/8	1/4	254	5/28°	1	595	20,9	465	340	296	DWG13	3	11	UNEU2155U		
	UNEU2168U	A	CSR	16,80	21,0	3/4	832	555	3,45	1,50	372	471	405	1,16		585	714	856	1014	1186	1,1	3/8	1/4	254	5/28°	1	595	24,5	494	340	296	DWG12	4	11	UNEU2168U		
UNT	UNT2170U	A	CSR	20,40	25,0	3/4	949	574	3,12	1,65	415	536	465	1,15		670	816	974	1146	1329	1,15	3/8	1/4	254	5/28°	1	595	26,8	474	348	296	DWG17	4	11	UNT2170U		
	UNT2180U	A	CSIR	22,40	35,0	1	1030	695	4,90	1,48	436	564	505	1,12		705	859	1027	1209	1404	1,15	3/8	1/4	254	5/28°	1	595	28,6	474	348	296	DWG17	4	11	UNT2180U		
	UNT2210U	A	CSR	27,80	33,0	1 1/4	1311	830	4,75	1,58	552	720	687	1,05		877	1103	1370	1632	1964	2,3	3/8	1/4	275	5/31°	1	800	16,8	470	395	324	DWG15	3	12	UNT2210U		

Notes:
Expansion device C/V
Fan is according EN60335-2-89 and EN 60079-15

R290 • MBP • 50Hz

SERIES	MODEL	VOLTAGE & FREQUENCY CODE	MOTOR TYPE	DISPL. cm ³	LRA A	HP	PERFORMANCE DATA ASHRAE				PERFORMANCE DATA EN13215										RECEIVER VOLUME liter	VALVE CONNECTION EXTERNAL DIAMETER		FAN				WEIGHT (REFERENCE ONLY) kg	OVERALL DIMENSIONS			CONDENSER		MODEL			
							EVAPORATING TEMPERATURE °C																SUCTION inch	LIQUID inch	EXTERNAL DIAMETER mm	NO. / ANGLE OF BLADES	NO. OF FANS		AIR FLOW RATE m ³ /h	A mm	B mm	C mm	EXT. VIEW REF.		NO. OF ROWS	NO. OF TUBES	
							RATED POINT 7,2 °C				-20 W	-15 W	RATED POINT -10 °C				-5 W	0 W	5 W	10 W																	
							COOLING W	POWER INPUT W	CURRENT A	EFFICIENCY W/W			COOLING W	POWER INPUT W	EFFICIENCY W/W																						
UEMT	UEMT6144U	A	CSIR	4,50	7,7	1/4	644	299	1,51	2,15	277	336	400	188	2,13		470	540	623	707	0,6	3/8	1/4	200	5/28°	1	300	17,1	430	308	226	DWG02	3	8	UEMT6144U		
	UEMT6152U	A	CSIR	5,20	8,5	1/4	688	336	1,73	2,05	324	391	464	208	2,23		533	619	727	855	1,1	3/8	1/4	200	5/28°	1	300	17,1	430	308	226	DWG02	3	8	UEMT6152U		
	UEMT6165U	A	CSIR	5,96	10,4	1/3-	790	375	1,95	2,11	345	414	490	251	1,95		575	668	770	880	1,1	3/8	1/4	200	5/28°	1	420	16,5	435	308	254	DWG03	3	9	UEMT6165U		
UNE	UNEK6181U	A	CSIR	7,28	12,0	1/3	835	395	2,54	2,11	333	420	509	302	1,69		601	695	791	890	1,1	3/8	1/4	200	5/28°	1	300	23,8	467	339	296	DWG08	3	11	UNEK6181U		
	UNEK6210U	A	CSIR	8,78	16,0	1/3	1120	471	3,08	2,38	466	559	664	377	1,76		782	911	1053	1208	1,1	3/8	1/4	254	5/28°	1	595	23,8	467	339	296	DWG08	3	11	UNEK6210U		
	UNEK6213U	A	CSIR	12,12	19,3	1/3+	1328	732	4,60	1,81	475	592	741	512	1,45		869	1031	1212	1413	1,1	3/8	1/4	254	5/28°	1	595	23,9	467	339	296	DWG08	3	11	UNEK6213U		
	UNEU6210U	A	CSIR	8,78	20	1/2-	1202	459	3,33	2,62	420	553	686	373	1,84		817	948	1077	1205	1,1	3/8	1/4	254	5/28°	1	595	22,7	467	339	296	DWG08	3	11	UNEU6210U		
UNT	UNEU6217U	A	CSIR	14,30	21,0	1/2+	1962	786	4,20	2,50	801	959	1132	579	1,96		1321	1527	1748	1985	2,3	3/8	3/8	254	5/28°	1	595	23,9	467	339	296	DWG08	3	11	UNEU6217U		
	UNT6217U	A	CSIR	14,50	25,0	1/2+	1694	707	4,56	2,40	527	659	821	546	1,50		1016	1248	1521	1840	2,3	3/8	3/8	275	5/31°	1	640	33,3	470	395	324	DWG19	3	12	UNT6217U		
	UNT6220U	A	CSIR	17,40	29,0	2/3	2115	1000	5,30	2,12	786	965	1166	656	1,78		1388	1632	1898	2185	2,3	3/8	3/8	275	5/31°	1	640	30,8	470	395	324	DWG19	3	12	UNT6220U		
	UNT6222U	A	CSIR	20,40	29,0	3/4	2294	1194	7,10	1,92	944	1155	1388	837	1,66		1643	1920	2219	2541	2,3	3/8	3/8	275	5/31°	1	640	31,0	470	395	324	DWG19	3	12	UNT6222U		
	UNT6224U	A	CSR	22,40	26,0	1	2973	1030	4,90	2,89	1109	1354	1558	835	1,87		1863	2200	2590	3021	2,3	1/2	3/8	275	5/31°	1	640	33,2	470	395	324	DWG15	3	12	UNT6224U		
UNT6230U	A	CSR	27,80	39,0	1 1/4	3368	1380	6,90	2,44	1403	1602	1855	1064	1,74		2163	2525	2942	3414	2,3	1/2	3/8	300	5/28°	1	700	35,7	485	405	372	DWG16	3	14	UNT6230U			

Notes:
Expansion device C/V
Fan is according EN60335-2-89 and EN 60079-15

R134a - LBP • 60Hz

		PERFORMANCE DATA ASHRAE																												
SERIES	MODEL	VOLTAGE & FREQUENCY CODE	MOTOR TYPE	DISPL. cm ³	LRA A	HP	EVAPORATING TEMPERATURE °C								RECEIVER VOLUME liter	VALVE CONNECTION EXTERNAL DIAMETER		FAN				WEIGHT (REFERENCE ONLY) kg	OVERALL DIMENSIONS				CONDENSER		MODEL	
							RATED POINT 7,2 °C							10 W		SUCTION INCH	LIQUID INCH	EXTERNAL DIAMETER mm	NO. / ANGLE OF BLADES	NO. OF FANS	AIR FLOW RATE m ³ /h		A mm	B mm	C mm	EXT. VIEW REF.	NO. OF ROWS	NO. OF TUBES		
							-15 W	-10 W	-5 W	0 W	COOLING W	POWER INPUT W	CURRENT A																	EFFICIENCY W/W
UNE	UNEU2140Z	G	CSIR	16,80	40,0	1/2	816	1014	1236	1482	1877	940	9,8	2,00	2044	1,0	3/8	1/4	254 / 10,00	5/28°	1	660	17 / 37,5	467 / 18,39	339 / 13,35	296 / 11,65	DWG08	3	11	UNEU2140Z

R134a - HBP • 60Hz

		PERFORMANCE DATA ASHRAE																												
SERIES	MODEL	VOLTAGE & FREQUENCY CODE	MOTOR TYPE	DISPL. cm ³	LRA A	HP	EVAPORATING TEMPERATURE °C								RECEIVER VOLUME LITER	VALVE CONNECTION EXTERNAL DIAMETER		FAN				WEIGHT (REFERENCE ONLY) kg	OVERALL DIMENSIONS				CONDENSER		MODEL	
							RATED POINT 7,2 °C							10 W		SUCTION INCH	LIQUID INCH	EXTERNAL DIAMETER mm	NO. / ANGLE OF BLADES	NO. OF FANS	AIR FLOW RATE m ³ /h		A mm	B mm	C mm	EXT. VIEW REF.	NO. OF ROWS	NO. OF TUBES		
							-15 W	-10 W	-5 W	0 W	COOLING W	POWER INPUT W	CURRENT A																	EFFICIENCY W/W
UNE	UNE6187Z	D	CSIR	12,12	17,3	1/3+	571	717	878	1051	1231	577	3,21	2,13	1429	1,0	3/8	1/4	254 / 10,00	5/28°	1	660	16,0 / 35,6	467 / 18,39	339 / 13,35	296 / 11,65	DWG08	3	11	UNE6187Z
	UNE6187Z	G	CSIR	12,12	29,0	1/3+	571	717	878	1051	1231	577	6,81	2,13	1429	1,0	3/8	1/4	254 / 10,00	5/28°	1	660	20,6 / 45,3	467 / 18,39	339 / 13,35	296 / 11,65	DWG08	3	11	UNE6187Z
	UNEK6160Z	G	CSIR	7,28	13,5	1/4+	369	464	571	692	888	383	4,83	2,32	971	1,0	3/8	1/4	230 / 9,06	5/31°	1	480	16,9 / 37,3	435 / 17,13	306 / 12,05	254 / 10,00	DWG05	3	9	UNEK6160Z
	UNEK6170Z	G	CSIR	8,40	28,5	1/4	431	453	557	683	767	382	5,31	2,01	1121	1,0	3/8	1/4	230 / 9,06	5/31°	1	480	17,4 / 38,7	435 / 17,13	306 / 12,05	254 / 10,00	DWG05	3	9	UNEK6170Z
	UNEK6210Z	G	CSIR	12,12	37,0	1/3+	578	723	884	1061	1342	622	7,3	2,16	1460	1,0	3/8	1/4	254 / 10,00	5/28°	1	660	21,7 / 48,3	467 / 18,39	339 / 13,35	296 / 11,65	DWG08	3	11	UNEK6210Z
	UNEK6212Z	G	CSIR	14,30	40,0	1/2	UD	UD	UD	UD	1574	UD	UD	UD	UD	1,0	3/8	1/4	254 / 10,00	5/28°	1	660	20,0 / 44,0	467 / 18,39	339 / 13,35	296 / 11,65	DWG08	3	11	UNEK6212Z
	UNEK6212Z	B	CSR	14,30	22,5	1/2	UD	UD	UD	UD	1574	UD	UD	UD	UD	1,0	3/8	1/4	254 / 10,00	5/28°	1	660	23,0 / 51,2	467 / 18,39	339 / 13,35	296 / 11,65	DWG08	3	11	UNEK6212Z
	UNEK6214Z	D	CSIR	16,80	30,0	1/2+	UD	UD	UD	UD	1769	UD	UD	UD	UD	1,3	3/8	1/4	254 / 10,00	5/28°	1	660	21,4 / 51,2	467 / 18,39	339 / 13,35	296 / 11,65	DWG08	3	11	UNEK6214Z
	UNEK6214Z	G	CSIR	16,80	48,0	1/2+	UD	UD	UD	UD	1769	UD	UD	UD	UD	1,3	3/8	1/4	254 / 10,00	5/28°	1	660	22,3 / 49,1	467 / 18,39	339 / 13,35	296 / 11,65	DWG08	3	11	UNEK6214Z
	UNE6187Z	G	CSIR	10,00	39	1/2-	537	669	807	949	1165	532	6,40	2,19	1252	1,0	3/8	1/4	254 / 10,00	5/28°	1	660	20,0 / 44,1	467 / 18,39	339 / 13,35	296 / 11,65	DWG08	3	11	UNE6187Z
	UNE6212Z	G	CSIR	14,30	40	1/2	673	830	1009	1211	1543	788	9,14	1,96	1684	1,0	3/8	1/4	254 / 10,00	5/28°	1	660	20,6 / 45,3	467 / 18,39	339 / 13,35	296 / 11,65	DWG08	3	11	UNE6212Z
	UNE6214Z	G	CSIR	16,80	50	3/4-	812	992	1190	1404	1742	943	10,18	1,85	1883	1,0	3/8	1/4	254 / 10,00	5/28°	1	660	21,4 / 51,2	467 / 18,39	339 / 13,35	296 / 11,65	DWG08	3	11	UNE6214Z
UNE6214Z	D	CSIR	16,80	30	3/4-	812	992	1190	1404	1742	925	5,50	1,88	1883	1,0	3/8	1/4	254 / 10,00	5/28°	1	660	22,3 / 49,1	467 / 18,39	339 / 13,35	296 / 11,65	DWG08	3	11	UNE6214Z	
UNT	UNT6215Z	D	CSIR	17,40	20,8	1/2+	842	1051	1284	1531	1793	847	5,23	2,12	2075	1,3	3/8	1/4	254 / 10,00	5/28°	1	660	27,2 / 60,0	465 / 18,31	340 / 13,39	296 / 11,65	DWG14	3	11	UNT6215Z
	UNT6215Z	G	CSIR	17,40	44,0	1/2+	852	1064	1293	1540	1805	776	8,69	2,33	2088	1,3	3/8	1/4	254 / 10,00	5/28°	1	660	27,2 / 60,0	465 / 18,31	340 / 13,39	296 / 11,65	DWG14	3	11	UNT6215Z
	UNT6217Z	G	CSR	20,40	45,0	3/4	988	1239	1505	1822	2261	1021	11,40	2,21	2503	2,3	1/2	3/8	275 / 10,83	5/31°	1	720	33,5 / 73,9	470 / 18,50	395 / 15,55	324 / 12,76	DWG15	3	12	UNT6217Z
	UNT6217Z	D	CSIR	20,40	31,0	3/4	988	1239	1505	1822	2261	930	5,60	2,43	2503	2,3	1/2	3/8	275 / 10,83	5/31°	1	720	33,5 / 73,9	470 / 18,50	395 / 15,55	324 / 12,76	DWG18	3	12	UNT6217Z
	UNT6220Z	G	CSR	22,40	54,5	1	1138	1436	1766	2129	2710	1107	11,60	2,45	2954	2,3	1/2	3/8	275 / 10,83	5/31°	1	720	34,5 / 76,0	470 / 18,50	395 / 15,55	324 / 12,76	DWG15	3	12	UNT6220Z
	UNT6220Z	D	CSIR	22,40	33,7	1	1138	1436	1766	2129	2710	1085	6,85	2,50	2954	2,3	1/2	3/8	275 / 10,83	5/31°	1	720	34,5 / 76,0	470 / 18,50	395 / 15,55	324 / 12,76	DWG18	3	12	UNT6220Z
UNJ	UNJ6220Z	D	CSIR	26,10	42,0	1	1163	1470	1790	2156	2520	1124	7,18	2,24	2912	2,3	1/2	3/8	275 / 10,83	5/31°	1	720	34,7 / 76,5	481 / 18,94	409 / 16,10	324 / 12,76	DWG27	3	12	UNJ6220Z
	UNJ6220Z	G	CSIR	26,10	72,0	1	1163	1470	1790	2156	2520	1153	12,69	2,19	2912	2,3	1/2	3/8	275 / 10,83	5/31°	1	720	34,7 / 76,5	481 / 18,94	409 / 16,10	324 / 12,76	DWG27	3	12	UNJ6220Z
	UNJ6226Z	D	CSR	34,40	40,0	1+	1390	1740	2100	2466	2840	1344	6,67	2,11	3323	2,3	5/8	3/8	275 / 10,83	5/31°	1	720	37,5 / 82,7	481 / 18,94	409 / 16,10	324 / 12,76	DWG27	3	12	UNJ6226Z

Notes:
Expansion device C/V

High efficiency versions of UNEK models (UNEU) available on demand

R404A / R507 / R452A - LBP • 60Hz

SERIES	MODEL	VOLTAGE & FREQUENCY CODE	MOTOR TYPE	DISPL. cm ³	LRA A	HP	PERFORMANCE DATA ASHRAE										RECEIVER VOLUME liter	VALVE CONNECTION EXTERNAL DIAMETER		FAN				WEIGHT (REFERENCE ONLY) kg	OVERALL DIMENSIONS				CONDENSER		MODEL	
							EVAPORATING TEMPERATURE °C											SUCTION INCH	LIQUID INCH	EXTERNAL DIAMETER mm	NO. / ANGLE OF BLADES	NO. OF FANS	AIR FLOW RATE m ³ /h		A mm	B mm	C mm	EXT. VIEW REF.	NO. OF ROWS	NO. OF TUBES		
							RATED POINT -23,3 °C				-20 W	-15 W	-10 W	COOLING W	POWER INPUT W	CURRENT A																EFFICIENCY W/W
							-40 W	-35 W	-30 W																							
UNE	UNEK2121GK	G	CSIR	5,45	26,5	1/3	152	199	259	359	298	4,70	1,20	415	513	623	1	3/8	1/4	200 / 7,87	5/28°	1	340	16,6 / 36,6	435 / 17,13	306 / 12,05	254 / 10,00	DWG05	3	8	UNEK2121GK	
	UNEK2125GK	G	CSIR	6,20	26,5	1/3+	178	231	295	403	355	5,21	1,14	455	552	659	1	3/8	1/4	230 / 9,06	5/28°	1	420	17,0 / 37,5	435 / 17,13	306 / 12,05	254 / 10,00	DWG05	3	9	UNEK2125GK	
	UNEK2134GK	G	CSIR	8,78	37,5	3/4	254	329	423	581	465	6,30	1,25	672	827	1001	1	3/8	1/4	254 / 10,00	5/28°	1	595	17,9 / 39,5	467 / 18,39	339 / 13,35	296 / 11,65	DWG08	3	11	UNEK2134GK	
	UNEK2134GK	D	CSIR	8,78	20,0	1/2	254	329	423	581	456	3,41	1,27	672	827	1001	1	3/8	1/4	254 / 10,00	5/28°	1	595	17,9 / 39,5	467 / 18,39	339 / 13,35	296 / 11,65	DWG08	3	11	UNEK2134GK	
	UNEK2150GK	G	CSIR	12,12	41,5	1/2+	317	417	540	742	610	7,80	1,22	856	1049	1265	1	3/8	1/4	254 / 10,00	5/28°	1	595	20,0 / 44,1	467 / 18,39	339 / 13,35	296 / 11,65	DWG08	3	11	UNEK2150GK	
	UNEK2150GK	D	CSIR	12,12	20,0	1/2+	317	417	540	742	598	4,22	1,24	856	1049	1265	1	3/8	1/4	254 / 10,00	5/28°	1	595	20,0 / 44,1	467 / 18,39	339 / 13,35	296 / 11,65	DWG08	3	11	UNEK2150GK	
UNT	UNT2168GK	D	CSR	14,50	29,0	1	342	482	648	911	651	4,30	1,40	1058	1303	1573	1	3/8	1/4	254 / 10,00	5/28°	1	595	26,8 / 59,0	477 / 18,80	398 / 15,7	296 / 11,7	DWG21	4	11	UNT2168GK	
	UNT2168GK	G	CSR	14,50	54,5	1	342	482	648	911	633	6,30	1,44	1058	1303	1573	1	3/8	1/4	254 / 10,00	5/28°	1	595	26,8 / 59,0	477 / 18,80	398 / 15,7	296 / 11,7	DWG21	4	11	UNT2168GK	
	UNT2180GK	D	CSR	20,40	40,0	1	461	655	880	1245	840	4,65	1,45	1420	1735	2080	1	3/8	1/4	254 / 10,00	5/28°	1	595	27,5 / 60,6	477 / 18,80	398 / 15,7	296 / 11,7	DWG21	4	11	UNT2180GK	
	UNT2180GK	G	CSR	20,40	66,0	1	461	655	880	1245	857	8,6	1,45	1420	1735	2080	1	3/8	1/4	254 / 10,00	5/28°	1	595	27,5 / 60,6	477 / 18,80	398 / 15,7	296 / 11,7	DWG21	4	11	UNT2180GK	
	UNT2192GK	D	CSR	22,40	40,0	1+	756	825	922	1039	780	3,90	1,33	1086	1333	1507	2,3	3/8	1/4	275 / 10,83	5/31°	1	800	32,1 / 70,6	470 / 18,50	395 / 15,55	324 / 12,76	DWG15	3	12	UNT2192GK	
	UNT2192GK	G	CSIR	22,40	56,0	1+	756	825	922	1039	927	7,21	1,12	1086	1333	1507	2,3	3/8	1/4	275 / 10,83	5/31°	1	800	36,2 / 79,8	470 / 18,50	395 / 15,55	324 / 12,76	DWG15	3	12	UNT2192GK	
	UNT2212GK	G	CSR	27,80	81,0	2 1/4	720	983	1281	1614	1358	13,31	1,19	1981	2382	2818	2,3	1/2	3/8	275 / 10,83	5/31°	1	800	33,8 / 74,5	470 / 18,50	395 / 15,55	324 / 12,76	DWG15	3	12	UNT2212GK	
	UNT2212GK	D	CSR	27,80	45,0	2 1/4	720	983	1281	1614	1090	5,37	1,48	1981	2382	2818	2,3	1/2	3/8	275 / 10,83	5/31°	1	980	34,7 / 76,5	470 / 18,50	395 / 15,55	324 / 12,76	DWG15	3	12	UNT2212GK	
UNJ	UNJ2192GK	D	CSR	26,10	40,0	1 1/2+	530	715	930	1170	944	4,58	1,24	1442	1742	2067	2,3	1/2	3/8	275 / 10,83	5/31°	1	720	36,2 / 79,8	481 / 18,94	409 / 16,10	324 / 12,76	DWG27	3	12	UNJ2192GK	
	UNJ2212GK	D	CSR	34,40	46,0	2 1/4+	721	1037	1360	1730	1124	5,31	1,54	2136	2571	3048	2,3	5/8	3/8	275 / 10,83	5/31°	1	720	38,3 / 84,2	481 / 18,94	409 / 16,10	324 / 12,76	DWG27	3	12	UNJ2212GK	

Notes:
Expansion device C/V

High efficiency versions of UNEK models (UNEU) available on demand

R404A / R507 / R452A - M/HBP • 60Hz

SERIES	MODEL	VOLTAGE & FREQUENCY CODE	MOTOR TYPE	DISPL. cm ³	LRA A	HP	PERFORMANCE DATA ASHRAE										RECEIVER VOLUME liter	VALVE CONNECTION EXTERNAL DIAMETER				WEIGHT (REFERENCE ONLY) kg	OVERALL DIMENSIONS				CONDENSER		MODEL			
							EVAPORATING TEMPERATURE °C											SUCTION inch	LIQUID inch	EXTERNAL DIAMETER mm	NO. / ANGLE OF BLADES		NO. OF FANS	AIR FLOW RATE m ³ /h	A mm	B mm	C mm	EXT. VIEW REF.		NO. OF ROWS	NO. OF TUBES	
							RATED POINT 7,2 °C					10 W	RATED POINT -10 °C																			
							-20 W	-15 W	-10 W	-5 W	0 W		COOLING W	POWER INPUT W	CURRENT A	EFFICIENCY W/W																-20 W
UNE	UNEK6144GK	G	CSIR	4,52	26,0	1/4	299	366	436	511	592	676	376	4,57	1,80	766	0,5	3/8	1/4	200 / 7,87	5/28"	1	340	17,4 / 38,4	431 / 16,97	306 / 12,05	226 / 8,90	DWG05	3	8	UNEK6144GK	
	UNEK6210GK	D	CSIR	8,78	23,0	1/3+	470	557	663	786	928	1087	679	4,21	1,60	1265	1,3	3/8	1/4	254 / 10,00	5/28"	1	595	22,7 / 49,9	465 / 18,31	340 / 13,39	296 / 11,65	DWG08	3	11	UNEK6210GK	
	UNEK6210GK	G	CSIR	8,78	38,0	1/3+	470	557	663	786	928	1087	642	7,23	1,69	1265	1,3	3/8	1/4	254 / 10,00	5/28"	1	595	22,7 / 49,9	465 / 18,31	340 / 13,39	296 / 11,65	DWG08	3	11	UNEK6210GK	
	UNEK6213GK	D	CSIR	12,12	30,0	1/2+	626	785	945	1106	1267	1430	917	5,77	1,56	1756	1,3	3/8	1/4	254 / 10,00	5/28"	1	595	22,3 / 49,0	465 / 18,19	340 / 13,39	296 / 11,65	DWG08	3	11	UNEK6213GK	
	UNEK6213GK	G	CSIR	12,12	51,0	1/2+	626	785	945	1106	1267	1430	972	11,42	1,47	1756	1,3	3/8	1/4	254 / 10,00	5/28"	1	595	20,8 / 45,8	465 / 18,19	340 / 13,39	296 / 11,65	DWG08	3	11	UNEK6213GK	
UNT	UNT6217GK	D	CSIR	12,60	27,0	3/4	871	1091	1329	1584	1858	2284	798	4,20	2,86	2460	2,3	1/2	3/8	275 / 10,83	5/31"	1	640	30,0 / 66,1	470 / 18,50	395 / 15,55	324 / 12,76	DWG18	3	12	UNT6217GK	
	UNT6217GK	G	CSIR	12,60	50,0	3/4	871	1091	1329	1584	1858	2284	814	7,77	2,81	2460	2,3	1/2	3/8	275 / 10,83	5/31"	1	640	30,0 / 66,1	470 / 18,50	395 / 15,55	324 / 12,76	DWG18	3	12	UNT6217GK	
	UNT6220GK	D	CSR	14,50	26,5	3/4	1038	1308	1586	1872	2166	2604	1177	5,82	2,21	2779	2,3	1/2	3/8	275 / 10,83	5/31"	1	640	31,0 / 68,2	470 / 18,50	395 / 15,55	324 / 12,76	DWG15	3	12	UNT6220GK	
	UNT6220GK	G	CSIR	14,50	54,5	3/4	1038	1308	1586	1872	2166	2604	1200	10,59	2,17	2779	2,3	1/2	3/8	275 / 10,83	5/31"	1	640	31,0 / 68,2	470 / 18,50	395 / 15,55	324 / 12,76	DWG18	3	12	UNT6220GK	
	UNT6222GK	D	CSR	17,40	33,7	1	1236	1526	1834	2161	2507	3037	1428	8,65	2,13	3253	2,3	1/2	3/8	275 / 10,83	5/31"	1	640	33,5 / 73,9	470 / 18,50	395 / 15,55	324 / 12,76	DWG15	3	12	UNT6222GK	
	UNT6222GK	G	CSR	17,40	70,0	1	1236	1526	1834	2161	2507	3037	1457	16,00	2,13	3253	2,3	1/2	3/8	275 / 10,83	5/31"	1	640	33,5 / 73,9	470 / 18,50	395 / 15,55	324 / 12,76	DWG15	3	12	UNT6222GK	
UNJ	UNJ9226GK	D	CSR	21,70	37,0	1+	1522	1745	2077	2338	2890	3508	1611	7,82	2,18	4194	2,3	5/8	3/8	300 / 11,81	5/28"	1	1200	37,5 / 82,7	512 / 20,16	410 / 16,14	390 / 15,35	DWG22	4	14	UNJ9226GK	

R290 • MBP • 60Hz

SERIES	MODEL	VOLTAGE & FREQUENCY CODE	MOTOR TYPE	DISPL. cm ³	LRA A	HP	PERFORMANCE DATA ASHRAE										PERFORMANCE DATA EN13215								RECEIVER VOLUME liter	VALVE CONNECTION EXTERNAL DIAMETER				WEIGHT (REFERENCE ONLY) kg	OVERALL DIMENSIONS				CONDENSER		MODEL
							EVAPORATING TEMPERATURE °C										SUCTION inch	LIQUID inch	EXTERNAL DIAMETER mm	NO. / ANGLE OF BLADES	NO. OF FANS	AIR FLOW RATE m ³ /h	A mm	B mm		C mm	EXT. VIEW REF.	NO. OF ROWS	NO. OF TUBES								
							RATED POINT 7,2 °C					-20 W	-15 W	RATED POINT -10 °C																							
							COOLING W	POWER INPUT W	CURRENT A	EFFICIENCY W/W	COOLING W			POWER INPUT W	EFFICIENCY W/W	-5 W															0 W	5 W	10 W				
UNE	UNEK6152U	G	CSIR	5,45	25	1/4	903	350	4,46	2,58	329	416	507	279	1,82	602	702	805	913	1,0	3/8	1/4	230	5/28"	1	420	17,1	435	305	254	DWG05	3	9	UNEK6152U			
	UNEK6181U	G	CSIR	7,28	30	1/3	1269	434	4,79	2,92	497	591	701	342	2,05	827	968	1124	1296	1,0	3/8	1/4	254	5/28"	1	595	23,8	465	340	296	DWG08	3	11	UNEK6181U			

Notes:
Expansion device C/V

High efficiency versions of UNEK models (UNEU) available on demand

DOUBLE FAN R404A

R404A / R507 / R452A - LBP • 50Hz

SERIES	MODEL	VOLTAGE & FREQUENCY CODE	MOTOR TYPE	DISPL. cm ³	LRA A	HP	PERFORMANCE DATA ASHRAE				PERFORMANCE DATA EN13215										RECEIVER VOLUME liter	VALVE CONNECTION EXTERNAL DIAMETER		FAN				WEIGHT (REF. ONLY) kg	OVERALL DIMENSIONS				CONDENSER		MODEL		
							EVAPORATING TEMPERATURE °C																SUCTION inch	LIQUID inch	EXTERNAL DIAMETER mm	NO. / ANGLE OF BLADES	NO. OF FANS		AIR FLOW RATE m ³ /h	A mm	B mm	C mm	EXT. VIEW REF.	NO. OF ROWS		NO. OF TUBES	
							RATED POINT -23,3 °C				-40 W	RATED POINT -35 °C			-30 W	-25 W	-20 W	-15 W	-10 W																		
							COOLING W	POWER INPUT W	CURRENT A	EFFICIENCY W/W		COOLING W	POWER INPUT W	EFFICIENCY W/W																							
UNT	ULNT2212GK	A	CSR	27,8	33	2-	1443	991	5,84	1,46	515	669	710	0,94	873	1130	1438	1820	2258	2,3	1/2	3/8	2X254	5/28°	2	1190	40,0	600	440	321	DWG20	3	11	ULNT2212GK			
UNJ	ULNJ2212GK	A	CSR	34,4	36	2	1599	1175	6,14	1,36	488	717	745	0,96	962	1251	1574	1950	2366	2,3	5/8	3/8	2X254	5/28°	2	1190	40,0	612	440	296	DWG25	3	11	ULNJ2212GK			

R404A / R507 / R452A - M/HBP • 50Hz

SERIES	MODEL	VOLTAGE & FREQUENCY CODE	MOTOR TYPE	DISPL. cm ³	LRA A	HP	PERFORMANCE DATA ASHRAE				PERFORMANCE DATA EN13215										RECEIVER VOLUME liter	VALVE CONNECTION EXTERNAL DIAMETER		FAN				WEIGHT (REF. ONLY) kg	OVERALL DIMENSIONS				CONDENSER		MODEL		
							EVAPORATING TEMPERATURE °C																SUCTION inch	LIQUID inch	EXTERNAL DIAMETER mm	NO. / ANGLE OF BLADES	NO. OF FANS		AIR FLOW RATE m ³ /h	A mm	B mm	C mm	EXT. VIEW REF.	NO. OF ROWS		NO. OF TUBES	
							RATED POINT 7,2 °C				-20 W	-15 W	RATED POINT -10 °C			-5 W	0 W	5 W	10 W																		
							COOLING W	POWER INPUT W	CURRENT A	EFFICIENCY W/W			COOLING W	POWER INPUT W	EFFICIENCY W/W																						
UNT	ULNT6226GK	A	CSR	22,4	38	1+	3016	1500	8,17	2,01	1091	1391	1706	1076	1,59	2048	2414	2808	3210	2,3	1/2	3/8	2X254	5/28°	2	1190	38,6	600	440	296	DWG20	3	11	ULNT6226GK			
UNJ	ULNJ9226GK	V	CSR	21,7	27,5	1+	3141	1403	6,79	2,24	1047	1364	1701	1035	1,64	2071	2473	2909	3360	2,3	5/8	3/8	2X254	5/28°	2	1190	39,7	612	440	296	DWG25	3	11	ULNJ9226GK			
	ULNJ9226GS	M	3 PH	21,7	10	1	2720	1300	3,9	2,09	1040	1351	1655	950	1,74	1951	2259	2565	2831	2,3	5/8	3/8	2X254	5/28°	2	1400	43	785	490	296	DWG24	4	11	ULNJ9226GS			
	ULNJ9232GK	A	CSR	26,1	43	1/4	3474	1719	8,38	2,02	1214	1565	1929	1040	1,85	2341	2770	3229	3696	2,3	5/8	1/2	2X254	5/28°	2	850	43,3	785	440	296	DWG23	3	11	ULNJ9232GK			
	ULNJ9232GS	M	3 PH	26,1	13	1/4	3365	1709	4,4	1,97	1265	1646	2015	1256	1,60	2376	2751	3124	3523	2,3	5/8	1/2	2X254	5/28°	2	1400	44	785	490	296	DWG24	3	11	ULNJ9232GS			
	ULNJ9238GK	V	CSR	32,7	43	1/2+	4104	2221	11,19	1,85	1507	1905	2325	1608	1,45	2942	3282	3819	4372	2,3	5/8	1/2	2X254	5/28°	2	1140	45	785	460	296	DWG23	4	11	ULNJ9238GK			
	ULNJ9238GS	M	3 PH	32,7	22	1/2+	4231	2215	5,48	1,91	1614	2012	2438	1171	2,08	2904	3426	3942	4487	2,3	5/8	1/2	2X254	5/28°	2	1600	45,4	785	490	296	DWG24	4	11	ULNJ9238GS			

R404A / R507 / R452A - M/HBP • 60Hz

SERIES	MODEL	VOLTAGE & FREQ. CODE	MOTOR TYPE	DISPL. cm ³	LRA A	HP	PERFORMANCE DATA ASHRAE				PERFORMANCE DATA EN13215										RECEIVER VOLUME liter	VALVE CONNECTION EXTERNAL DIAMETER		FAN				WEIGHT (REF. ONLY) kg	OVERALL DIMENSIONS				CONDENSER		MODEL		
							EVAPORATING TEMPERATURE °C																SUCTION inch	LIQUID inch	EXTERNAL DIAMETER mm	NO. / ANGLE OF BLADES	NO. OF FANS		AIR FLOW RATE m ³ /h	A mm	B mm	C mm	EXT. VIEW REF.	NO. OF ROWS		NO. OF TUBES	
							-20 W	-15 W	-10 W	-5 W	0 W	RATED POINT 7,2 °C			10 W																						
												COOLING W	POWER INPUT W	CURRENT A		EFFICIENCY W/W																					
UNJ	UNJ9226GK	D	CSR	21,7	37	1+	1522	1745	2077	2338	2890	3508	1611	7,82	2,18	4194	2,3	5/8	3/8	2X254/10,00	5/28°	2	850	39,1 / 76,5	614	440	320	DWG26	3	11	UNJ9226GK						

Notes:
Expansion device C/V

GEMINI UNITS

R134a • M/HBP • 50Hz

SERIES	MODEL	VOLT. & FREQ. CODE	MOTOR TYPE	DISPL. cm ³	LRA A	HP	PERFORMANCE DATA ASHRAE				PERFORMANCE DATA EN13215								REC. VOL. liter	VALVE CONNECTION EXTERNAL DIAMETER		FAN				FAN MOTOR			WEIGHT (REF. ONLY) kg	OVERALL DIMENSIONS				CONDENSER		MODEL		
							EVAPORATING TEMPERATURE °C													SUCTION inch	LIQUID inch	EXTERNAL DIAMETER mm	NO. / ANGLE OF BLADES	NO. OF FANS	AIR FLOW RATE m ³ /h	RATED OUTPUT W	RATED INPUT W	RATED INPUT A		A mm	B mm	C mm	EXT. VIEW REF.	NO. OF ROWS	NO. OF TUBES			
							RATED POINT 7.2 °C				-20 W	-15 W	RATED POINT -10 °C				-5 W	0 W																			5 W	10 W
							COOLING W	POWER INPUT W	CURRENT A	EFFICIENCY W/W			COOLING W	POWER INPUT W	EFFICIENCY W/W	W																						
UGNJ	UGNJ6220ZX	M	3 PH	2X26,10	2X10,0	1 1/2	4570	2008	3,2	2,28	-	1565	2072	1297	1,60	2655	3366	4141	4976	2,3	1/2	3/8	250	7	2	3020	-	2X100	2X0,2	84	1093	551	311	DWG34	4	11	UGNJ6220ZX	
	UGNJ6226ZX	M	3 PH	2X34,40	2X13,0	2	6012	2586	4,6	2,32	-	2160	2781	1780	1,56	3533	4419	5409	6488	2,3	1/2	3/8	250	7	2	3020	-	2X100	2X0,2	84	1093	551	311	DWG34	4	11	UGNJ6226ZX	

R404A / R507 / R452A • LBP • 50Hz

SERIES	MODEL	VOLT. & FREQ. CODE	MOTOR TYPE	DISPL. cm ³	LRA A	HP	PERFORMANCE DATA ASHRAE				PERFORMANCE DATA EN13215								REC. VOL. liter	VALVE CONNECTION EXTERNAL DIAMETER		FAN				FAN MOTOR			WEIGHT (REF. ONLY) kg	OVERALL DIMENSIONS				CONDENSER		MODEL		
							EVAPORATING TEMPERATURE °C													SUCTION inch	LIQUID inch	EXTERNAL DIAMETER mm	NO. / ANGLE OF BLADES	NO. OF FANS	AIR FLOW RATE m ³ /h	RATED OUTPUT W	RATED INPUT W	RATED INPUT A		A mm	B mm	C mm	EXT. VIEW REF.	NO. OF ROWS	NO. OF TUBES			
							RATED POINT -23,3 °C				-40 W	RATED POINT -35 °C				-30 W	-25 W	-20 W																			-15 W	-10 W
							COOLING W	POWER INPUT W	CURRENT A	EFFICIENCY W/W		COOLING W	POWER INPUT W	EFFICIENCY W/W	W																							
UGNT	UGNT2180GK	A	CSR	2X20,40	2X34,5	2	2135	1708	7	1,25	713	987	1012	0,98	1318	1682	2164	2768	3446	2,3	1/2	3/8	254	5/28°	2	1325	2X16	2X60	2X0,42	80	850	530	293	DWG36	4	11	UGNT2180GK	
UGNJ	UGNJ2192GK	A	CSR	2X26,10	2X26,0	2 1/4	2396	1884	8,62	1,27	718	990	1065	0,93	1315	1839	2367	2993	3687	2,3	1/2	3/8	254	5/28°	2	1325	2X16	2X60	2X0,42	75	1093	551	311	DWG33	4	11	UGNJ2192GK	
	UGNJ2192GS	M	3 PH	2X26,10	2X13,5	2 1/4	2162	1800	4,20	1,20	718	990	1088	0,91	1315	1691	2126	2640	3209	2,3	1/2	3/8	254	5/28°	2	1700	2X34	2X100	2X0,38	85	1093	551	311	DWG33	4	11	UGNJ2192GS	
	UGNJ2212GK	A	CSR	2X34,40	2X36,0	2 3/4	3198	2350	12,2	1,36	976	1433	1496	0,96	1924	2502	3148	3900	4732	2,3	1/2	3/8	254	5/28°	2	1325	2X16	2X60	2X0,42	82	1093	551	311	DWG33	4	11	UGNJ2212GK	
	UGNJ2212GS	M	3 PH	2X34,40	2X20,6	2 3/4	3198	2958	4,60	1,08	1198	1635	1657	0,99	2129	2680	3287	3951	4672	2,3	1/2	3/8	254	5/28°	2	1700	2X34	2X100	2X0,38	80	1093	551	311	DWG33	4	11	UGNJ2212GS	

R404A / R507 / R452A • M/HBP • 50Hz

SERIES	MODEL	VOLT. & FREQ. CODE	MOTOR TYPE	DISPL. cm ³	LRA A	HP	PERFORMANCE DATA ASHRAE				PERFORMANCE DATA EN13215								REC. VOL. liter	VALVE CONNECTION EXTERNAL DIAMETER		FAN				FAN MOTOR			WEIGHT (REF. ONLY) kg	OVERALL DIMENSIONS				CONDENSER		MODEL		
							EVAPORATING TEMPERATURE °C													SUCTION inch	LIQUID inch	EXTERNAL DIAMETER mm	NO. / ANGLE OF BLADES	NO. OF FANS	AIR FLOW RATE m ³ /h	RATED OUTPUT W	RATED INPUT W	RATED INPUT A		A mm	B mm	C mm	EXT. VIEW REF.	NO. OF ROWS	NO. OF TUBES			
							RATED POINT 7.2 °C				-20 W	-15 W	RATED POINT -10 °C				-5 W	0 W																			5 W	10 W
							COOLING W	POWER INPUT W	CURRENT A	EFFICIENCY W/W			COOLING W	POWER INPUT W	EFFICIENCY W/W	W																						
UGNJ	UGNJ9226GK	V	CSR	2X21,70	2X38,0	2	6082	2806	12,8	2,17	1974	2420	3053	1830	1,67	3783	4607	5534	6500	2,3	1/2	3/8	250	7	2	3008	-	2X115	2X0,51	82	1093	551	311	DWG34	4	11	UGNJ9226GK	
	UGNJ9226GS	M	3 PH	2X21,70	2X10,0	2	5440	2600	7,8	2,09	1793	2397	3005	2115	1,42	3636	4318	5029	5662	2,3	1/2	3/8	250	7	2	3020	-	2X100	2X0,2	72,5	1093	551	311	DWG34	4	11	UGNJ9226GS	
	UGNJ9232GK	A	CSR	2X26,10	2X43,0	2 1/2	6722	3438	16,8	1,96	2114	2780	3489	2498	1,40	4287	5169	6144	7138	2,3	1/2	3/8	250	7	3	3595	-	3X115	3X0,51	84	1093	551	311	DWG35	4	11	UGNJ9232GK	
	UGNJ9232GS	M	3 PH	2X26,10	2X13,0	2 1/2	6730	3418	5,6	1,97	2180	2920	3660	2460	1,49	4428	5259	6125	8538	2,3	1/2	3/8	250	7	3	3660	-	3X100	3X0,2	81	1093	551	311	DWG35	4	11	UGNJ9232GS	
	UGNJ9238GK	V	CSR	2X32,70	2X43,0	3	8208	4442	20,2	1,85	3539	4227	4972	3538	1,41	5771	6626	7537	8502	2,3	1/2	3/8	250	7	3	3595	-	3X115	3X0,51	88	1093	551	311	DWG35	4	11	UGNJ9238GK	
	UGNJ9238GS	M	3 PH	2X32,70	2X22,0	3	8332	4370	7,2	1,91	2701	3616	4533	3045	1,49	5482	6512	7657	8538	2,3	1/2	3/8	250	7	3	3595	-	3X115	3X0,51	87	1093	551	311	DWG35	4	11	UGNJ9238GS	

Notes:
Expansion device C/V

SLIDING UNIT

R134a • MBP • 50Hz

SERIES	MODEL	VOLTAGE & FREQUENCY CODE	MOTOR TYPE	DISPL. cm ³	LRA A	HP	PERFORMANCE DATA ASHRAE											PERFORMANCE DATA EN13215											REC. VOLUME liter	VALVE CONNECTION EXTERNAL DIAMETER		FAN		WEIGHT (REF. ONLY) kg	OVERALL DIMENSIONS				CONDENSER		MODEL		
							EVAPORATING TEMPERATURE °C																								SUCTION inch	LIQUID inch	EXTERNAL DIAMETER mm		AIR FLOW RATE m ³ /h	A mm	B mm	C mm	EXT. VIEW REF.	NO. OF ROWS		NO. OF TUBES	
							RATED POINT 7,2 °C			-15 W	RATED POINT -10 °C				-5 W	0 W	5 W	10 W																									
							COOLING W	POWER INPUT W	CURRENT A		COOLING W	POWER INPUT W	CURRENT A	EFFICIENCY W/W																													
UNE	UDNEK6210Z	A	CSIR	12,12	19,5	1/3+	1150	522	3,05	479	597	364	2,55	1,64	729	875		1036	1212	1,1	3/8	1/4	250	840	65	822	460	470	DWG37	3	11	UDNEK6210Z											
	UDNEK6212Z	A	CSIR	14,3	19,5	1/2	1342	652	3,88	545	662	438	3,30	1,51	883	968		1280	1327	1,1	3/8	1/4	250	840	66	822	460	470	DWG37	3	11	UDNEK6212Z											
	UDNEK6214Z	A	CSIR	16,8	21,2	1/2+	1439	776	5,06	610	758	542	4,32	1,40	931	1098		1374	1541	1,1	3/8	1/4	250	840	66	822	460	470	DWG37	3	12	UDNEK6214Z											
UNT	UDNT6215Z	N	CSIR	17,4	21	1/2+	1566	741	4,4	657	820	479	3,30	1,71	1001	1200		1416	1641	2,3	3/8	1/4	250	840	69	822	460	470	DWG37	3	12	UDNT6215Z											
	UDNT6217Z	A	CSR	20,4	25	3/4+	1798	779	5,41	774	956	615	4,53	1,55	1166	1406		1647	1872	2,3	1/2	3/8	250	840	75,5	822	460	470	DWG37	3	12	UDNT6217Z											
UNJ	UDNJ6220Z	A	CSR	26,1	35	1	2312	1083	6,37	963	1226	738	5,23	1,66	1512	1832		2158	2516	2,3	1/2	3/8	250	840	75,5	822	460	470	DWG37	3	12	UDNJ6220Z											
	UDNJ6226Z	A	CSR	34,4	31	1 1/4	2983	1360	6,8	1234	1521	901	6,07	1,69	1835	2177		2547	2944	2,3	1/2	3/8	300	1450	82	822	460	470	DWG37	3	14	UDNJ6226Z											

R404A / R507 / R452A - LBP • 50Hz

SERIES	MODEL	VOLTAGE & FREQUENCY CODE	MOTOR TYPE	DISPL. cm ³	LRA A	HP	PERFORMANCE DATA ASHRAE											PERFORMANCE DATA EN13215											REC. VOLUME liter	VALVE CONNECTION EXTERNAL DIAMETER		FAN		WEIGHT (REF. ONLY) kg	OVERALL DIMENSIONS				CONDENSER		MODEL		
							EVAPORATING TEMPERATURE °C																								SUCTION inch	LIQUID inch	EXTERNAL DIAMETER mm		AIR FLOW RATE m ³ /h	A mm	B mm	C mm	EXT. VIEW REF.	NO. OF ROWS		NO. OF TUBES	
							RATED POINT -23,3 °C			-40 W	RATED POINT -35 °C				-30 W	-25 W	-20 W	-15 W	-10 W																								
							COOLING W	POWER INPUT W	CURRENT A		COOLING W	POWER INPUT W	CURRENT A	EFFICIENCY W/W																													
UNE	UDNEK2150GK	A	CSIR	12,12	19,5	3/4	535	525	3,6	236	319	386	3,05	0,83	387	497		578	690	830	1,1	3/8	1/4	250	840	65	822	460	470	DWG37	3	11	UDNEK2150GK										
	UDNEK2168GK	A	CSIR	14,3	18,5	1	608	602	4,1	312	386	444	3,5	0,87	497	614		730	841	930	1,1	3/8	1/4	250	840	66	822	460	470	DWG37	3	12	UDNEK2168GK										
UNT	UDNT2180GK	A	CSR	20,4	34,5	1+	809	762	4,7	423	538	575	2,8	0,94	668	813		973	1147	1336	2,3	1/2	3/8	250	840	66	822	460	470	DWG37	3	12	UDNT2180GK										
	UDNT2192GK	A	CSR	22,4	34,5	1 1/2	912	744	3,8	450	607	553	2,9	1,10	773	950		1136	1332	1538	2,3	1/2	3/8	300	1450	75,5	822	460	470	DWG37	3	12	UDNT2192GK										
	UDNT2212GK	A	CSR	27,8	33	2-	1125	955	4,8	556	725	710	3,7	1,02	915	1134		1355	1606	1873	2,3	1/2	3/8	300	1450	75,5	822	460	470	DWG37	3	14	UDNT2212GK										
UNJ	UDNJ2212GK	A	CSR	34,4	36	2	1315	1210	5,9	617	849	848	4,4	1,00	1085	1339		1565	1810	2057	2,3	1/2	3/8	300	1450	76	822	460	470	DWG37	3	14	UDNJ2212GK										
UL	UDL63B752BBK	A	CSR	46	49	2 1/6	2251	1288	7,04	631	947	815	5,28	1,16	1281	1632		2002	2390	2795	4	5/8	3/8	400	2750	116	890	632	599	DWG39	4	18	UDL63B752BBK										
	UDL63A113BBK	A	CSR	65	60	3 1/5	3333	1856	8,82	967	1377	1183	6,21	1,16	1854	2399		3012	3692	4441	4	5/8	3/8	400	2750	116	890	632	599	DWG39	4	18	UDL63A113BBK										
	UDL63A183BBK	A	CSR	99	104	4	4169	2344	12,7	1537	1958	1745	10,66	1,12	2458	3037		3695	4432	5248	4	3/4	1/2	400	2750	116	890	632	599	DWG39	4	18	UDL63A183BBK										

Notes:
Expansion device C/V

SLIDING UNIT

R404A / R507 / R452A - M/HBP • 50Hz

SERIES	MODEL	VOLTAGE & FREQUENCY CODE	MOTOR TYPE	DISPL. cm ³	LRA A	HP	PERFORMANCE DATA ASHRAE										PERFORMANCE DATA EN13215										REC. VOLUME liter	VALVE CONNECTION EXTERNAL DIAMETER		FAN		WEIGHT (REF. ONLY) kg	OVERALL DIMENSIONS				CONDENSER		MODEL
							EVAPORATING TEMPERATURE °C																SUCTION inch	LIQUID inch	EXTERNAL DIAMETER mm	AIR FLOW RATE m ³ /h		A mm	B mm	C mm	EXT. VIEW REF.		NO. OF ROWS	NO. OF TUBES					
							RATED POINT 7,2 °C			-20 W	-15 W	RATED POINT -10 °C				-5 W	0 W	5 W	10 W																				
							COOLING W	POWER INPUT W	CURRENT A			COOLING W	POWER INPUT W	CURRENT A	EFFICIENCY W/W																								
UNE	UDNEK6210GK	A	CSIR	8,78	16,1	1/2	1123	662	3,70	521	640	704	466	2,9	1,51	883	1006	1131	1258	1,1	3/8	1/4	250	840	65	822	460	470	DWG37	3	11	UDNEK6210GK							
	UDNEK6213GK	A	CSIR	12,12	19,3	1/2+	1490	823	4,40	720	814	907	660	4,7	1,37	1035	1187	1378	1594	1,1	3/8	1/4	250	840	66	822	460	470	DWG37	3	12	UDNEK6213GK							
	UDNEK6217GK	A	CSR	14,3	21,5	3/4	1671	1214	5,80	796	994	1184	703	3,35	1,68	1317	1443	1583	1723	2,3	1/2	3/8	250	840	67	822	460	470	DWG37	3	12	UDNEK6217GK							
UNT	UDNT6222GK	A	CSR	17,4	30	1-	2052	1240	6,20	890	1099	1314	826	4,3	1,59	1535	1763	1996	2235	2,3	1/2	3/8	250	840	75,5	822	460	470	DWG37	3	12	UDNT6222GK							
	UDNT6226GK	A	CSR	22,4	39	1+	2593	1563	7,30	1183	1429	1614	1076	5,3	1,50	1933	2191	2454	2720	2,3	1/2	3/8	300	1450	75,5	822	460	470	DWG37	3	14	UDNT6226GK							
UNJ	UDNJ9232GK	A	CSR	26,1	43	1 1/4	3005	2086	9,80	1406	1745	2055	1282	7,5	1,60	2342	2601	2834	3076	2,3	1/2	3/8	300	1450	82	822	460	470	DWG37	3	14	UDNJ9232GK							
	UDNJ9238GK	V	CSR	32,7	43	1 1/2+	3820	2478	11,31	1657	2044	2422	1660	7,76	1,46	2791	3153	3506	3851	2,3	1/2	3/8	300	1300	82,5	822	460	470	DWG37	4	14	UDNJ9238GK							
UH	UDH79B26UABHA	A	CSR	48	58	2 2/7	6544	3235	16,61	2408	3012	3675	2208	12,5	1,66	4398	5181	6024	6926	4	5/8	3/8	400	2750	116	890	632	599	DWG39	4	18	UDH79B26UABHA							
	UDH73A383DBE	380-415	3PH	68	39	3	8657	3540	6,12	2961	3775	4680	2423	4,62	1,93	5676	6762	7938	9205	4	3/4	3/8	450	3940	165	1063	778	768	DWG38	4	20	UDH73A383DBE							
	UDH73A503DBE	380-415	3PH	84	53	4 1/5	12309	3003	8,21	4299	5329	6538	2360	6,06	2,77	7925	9492	11238	13163	10	7/8	1/2	500	4900	165	1063	778	768	DWG38	5	24	UDH73A503DBE							
	UDH73A623DBE	380-415	3PH	103	62	4 3/5	12330	5929	10,19	5237	6574	7876	4125	7,41	1,91	9142	10373	11569	12729	10	7/8	1/2	500	4900	165	1063	778	768	DWG38	5	24	UDH73A623DBE							
	UDH79A723DBV	380-415	3PH	117	79	5	13822	6833	12,16	5908	7578	9121	4892	9,55	1,86	10536	11825	12986	14020	10	7/8	1/2	500	4900	165	1063	778	768	DWG38	5	24	UDH79A723DBV							

Notes:
Expansion device C/V

SUPERTROPICAL

R404A / R507 / R452A - LBP • 50Hz

SERIES	MODEL	VOLTAGE & FREQUENCY CODE	MOTOR TYPE	DISPL. cm ³	LRA A	HP	PERFORMANCE DATA ASHRAE				PERFORMANCE DATA EN13215										REC. VOLUME liter	VALVE CONNECTION EXTERNAL DIAMETER		FAN				WEIGHT (REF. ONLY) kg	OVERALL DIMENSIONS				CONDENSER		MODEL		
							EVAPORATING TEMPERATURE °C																SUCTION inch	LIQUID inch	EXTERNAL DIAMETER mm	NO. / ANGLE OF BLADES	NO. OF FANS		AIR FLOW RATE m ³ /h	A mm	B mm	C mm	EXT. VIEW REF.	NO. OF ROWS		NO. OF TUBES	
							RATED POINT -23,3 °C				-40 W	RATED POINT -35 °C				-30 W	-25 W	-20 W	-15 W	-10 W																	
							COOLING W	POWER INPUT W	CURRENT A	EFFICIENCY W/W		COOLING W	POWER INPUT W	EFFICIENCY W/W	EFFICIENCY W/W																						
UNJ	USNJ2192GK	A	CSR	26,1	26,0	1 1/2	1410	1032	5,1	1,37	542	742	785	0,95	945		1.102	1385	1502	1854	2,3	1/2	3/8	275	5/31°	1	1450	38	482	411	372	DWG29	3	14	USNJ2192GK		
	USNJ2212GK	A	CSR	34,4	36,0	2	1758	1288	6,3	1,36	573	789	834	0,95	1051		1.423	1726	2156	2597	2,3	5/8	3/8	275	5/31°	1	1450	39	482	411	372	DWG29	3	14	USNJ2212GK		

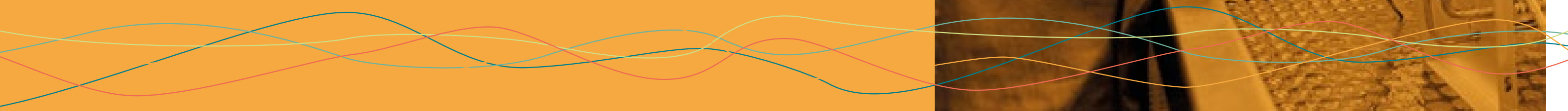
R404A / R507 / R452A - M/HBP • 50Hz

SERIES	MODEL	VOLTAGE & FREQUENCY CODE	MOTOR TYPE	DISPL. cm ³	LRA A	HP	PERFORMANCE DATA ASHRAE				PERFORMANCE DATA EN13215										REC. VOLUME liter	VALVE CONNECTION EXTERNAL DIAMETER		FAN				WEIGHT (REF. ONLY) kg	OVERALL DIMENSIONS				CONDENSER		MODEL		
							EVAPORATING TEMPERATURE °C																SUCTION inch	LIQUID inch	EXTERNAL DIAMETER mm	NO. / ANGLE OF BLADES	NO. OF FANS		AIR FLOW RATE m ³ /h	A mm	B mm	C mm	EXT. VIEW REF.	NO. OF ROWS		NO. OF TUBES	
							RATED POINT 7,2 °C				-20 W	-15 W	RATED POINT -10 °C				-5 W	0 W	5 W	10 W																	
							COOLING W	POWER INPUT W	CURRENT A	EFFICIENCY W/W			COOLING W	POWER INPUT W	EFFICIENCY W/W	EFFICIENCY W/W																					
UEMT	USEMT6165GK	A	CSIR	5,20	10,4	1/4	1020	351	2,2	2,91	375	448	530	305	1,74		620	719	840	972	1,1	3/8	1/4	254	5/28°	1	595	17	466	343	296	DWG04	3	11	USEMT6165GK		
UNE	USNEK6210GK	A	CSIR	8,78	16,1	1/2	1563	733	4,12	2,13	541	683	792	448	1,77		921	1084	1248	1603	1,1	3/8	1/4	254	5/28°	1	595	22,7	476	399	296	DWG10	3	11	USNEK6210GK		
	USNEK6213GK	A	CSIR	12,12	19,3	1/2+	1930	965	5,3	2,00	660	856	1035	675	1,53		1208	1369	1512	1886	1,1	3/8	1/4	275	5/31°	1	1450	24	476	399	324	DWG11	3	12	USNEK6213GK		
UNJ	USNJ9226GK	V	CSR	21,7	27,5	1	3436	1540	7,2	2,23	1164	1498	1876	1070	1,75		2282	2684	3384	3693	2,3	5/8	3/8	300	-	1	1450	39	600	440	372	DWG31	3	14	USNJ9226GK		
	USNJ9232GK	A	CSR	26,1	43,0	1 1/4	3587	1832	8,6	1,96	1435	1787	2206	1282	1,72		2482	2757	3976	4012	3,9	5/8	1/2	300	-	1	1300	46	600	440	372	DWG31	4	14	USNJ9232GK		
	USNJ9238GK	V	CSR	32,7	43,0	1 1/2+	4512	2332	11,2	1,93	1812	2103	2577	1610	1,60		3287	3622	4540	4893	3,9	5/8	1/2	300	-	1	2200	48	600	440	426	DWG32	4	16	USNJ9238GK		
	USNJ9238GS	M	CSR	32,7	22,0	1 1/2+	4863	2543	5,3	1,91	1866	2234	2668	1472	1,81		3356	3834	4763	4968	3,9	5/8	1/2	300	-	1	2200	48	600	440	426	DWG32	4	16	USNJ9238GS		

Notes:
Expansion device C/V

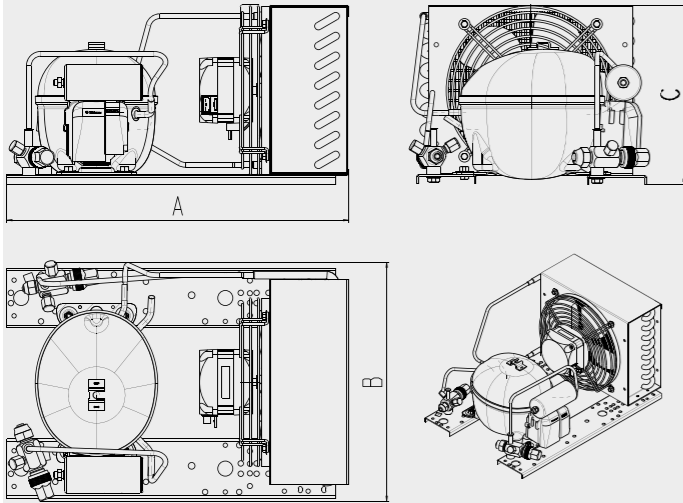
High efficiency versions of UNEK models (UNEU) available on demand

EXTERNAL VIEWS &
WIRING DIAGRAMS

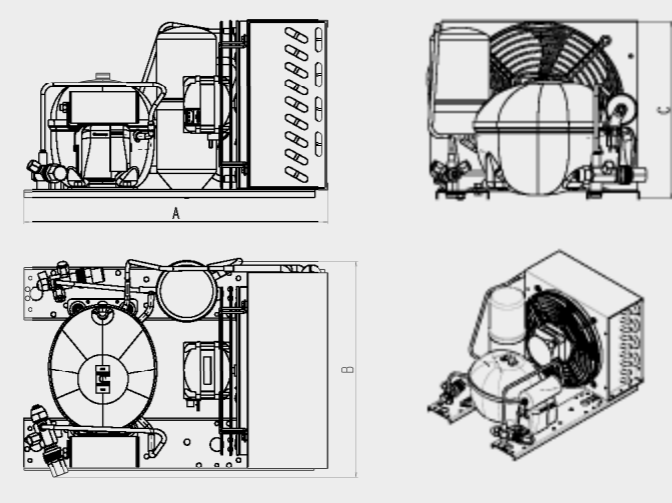


EXTERNAL VIEWS - UEMT

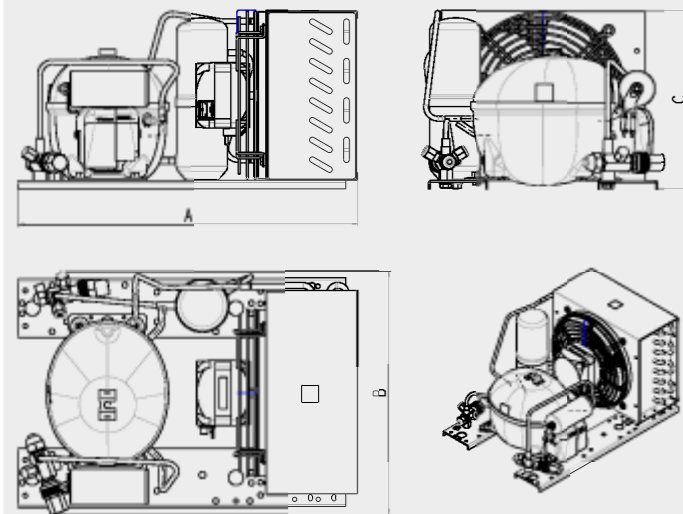
DWG01



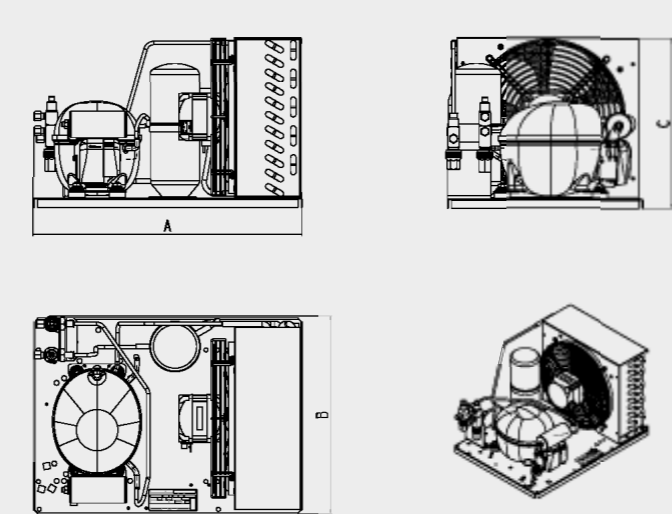
DWG03



DWG02

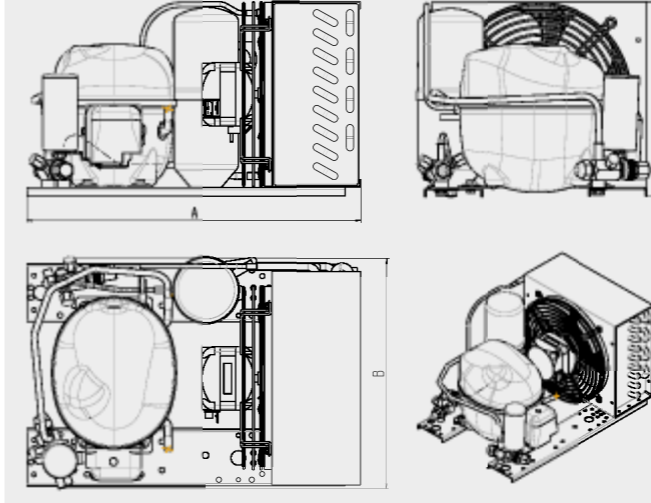


DWG04

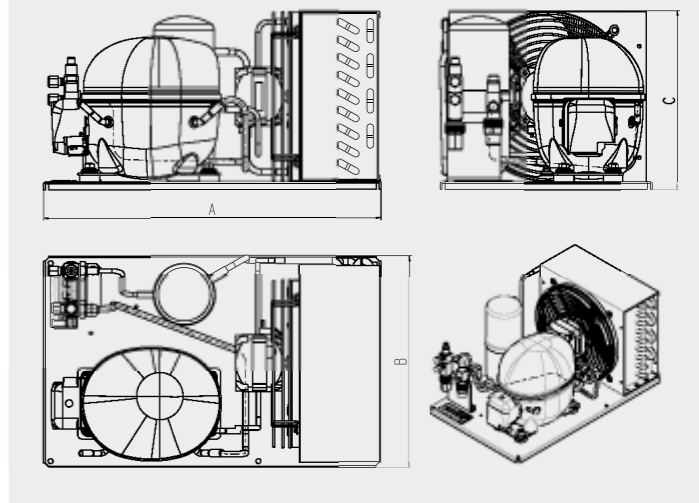


EXTERNAL VIEWS UNE/UNEK/UNEU

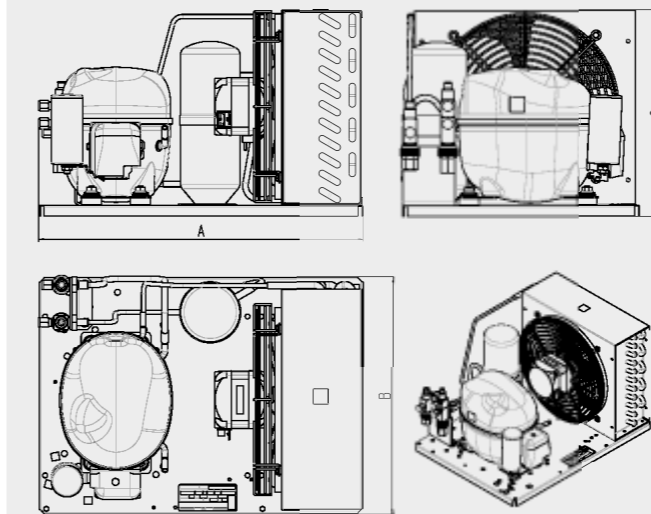
DWG05



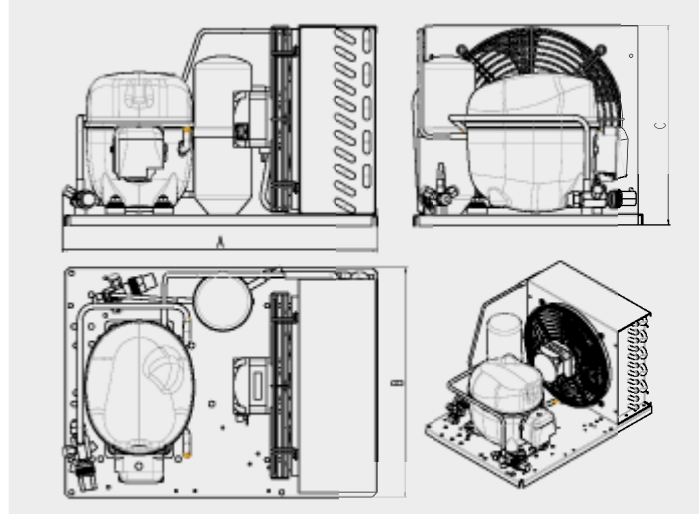
DWG07



DWG06

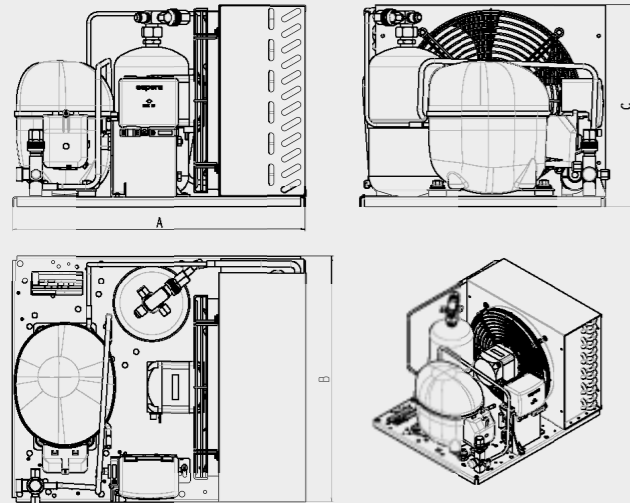


DWG08

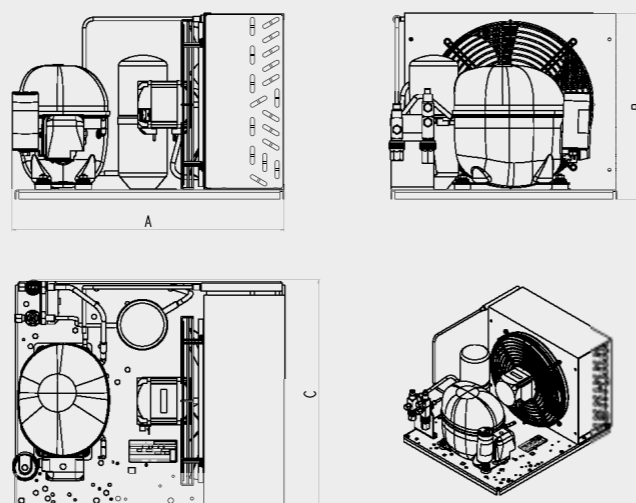


EXTERNAL VIEWS UNE/UNEK/UNEU

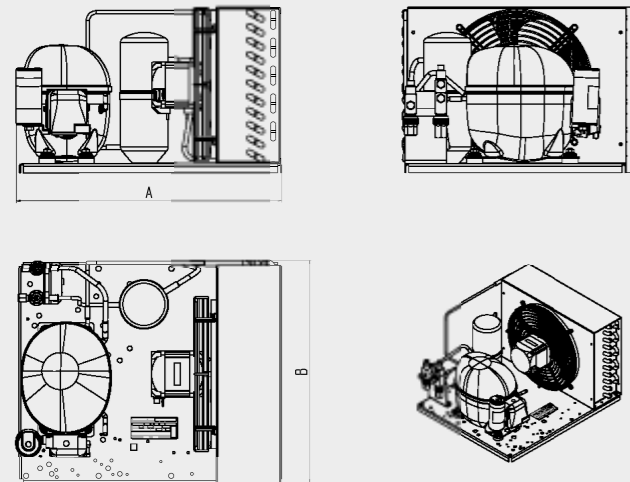
DWG09



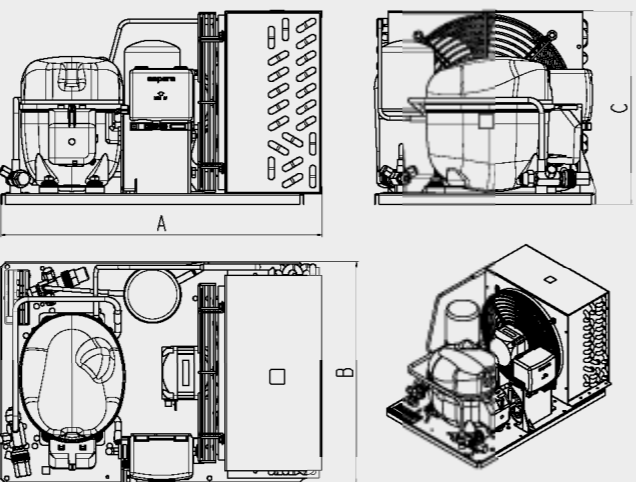
DWG11



DWG10

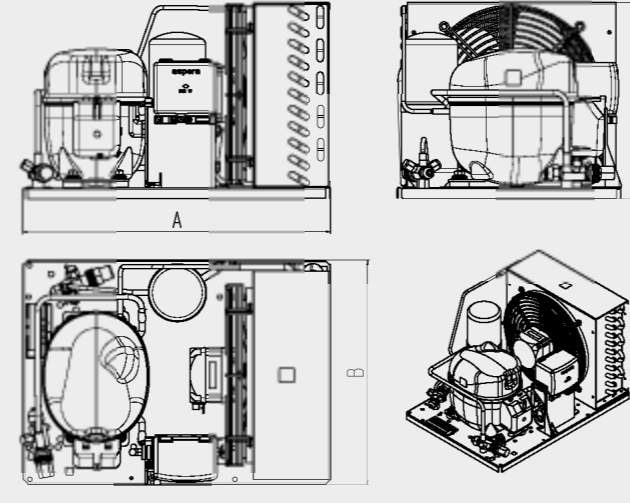


DWG12

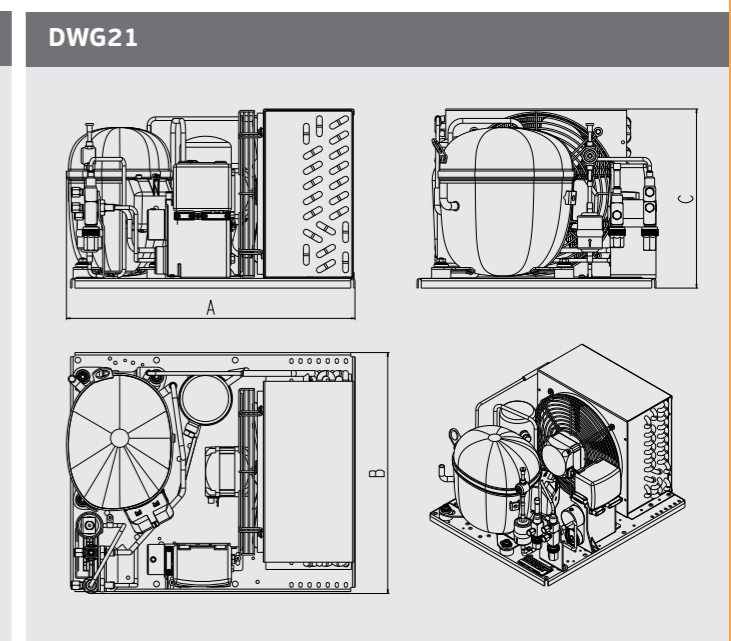
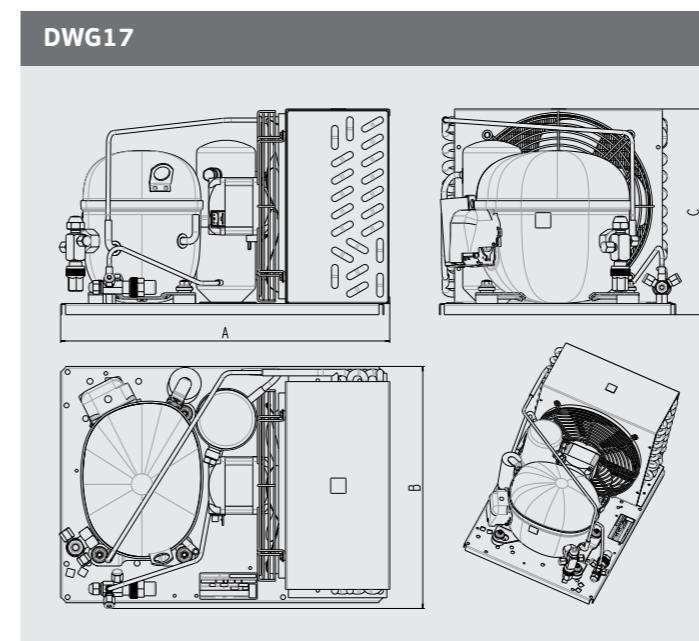
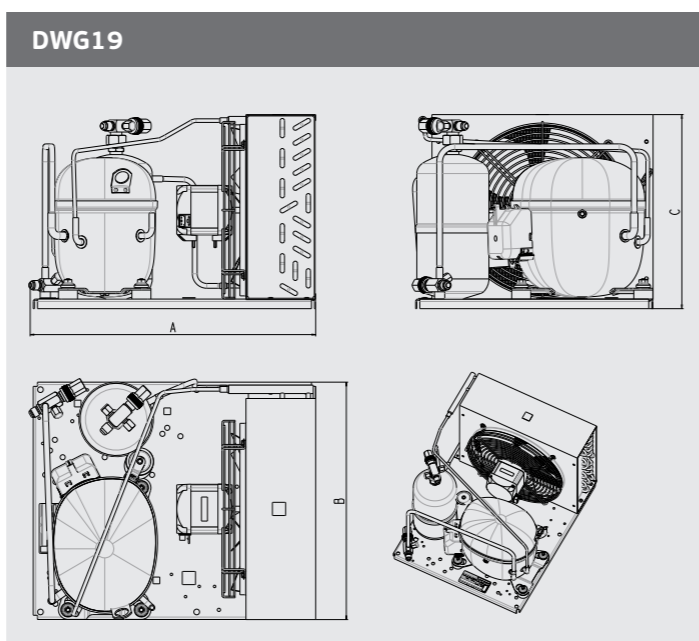
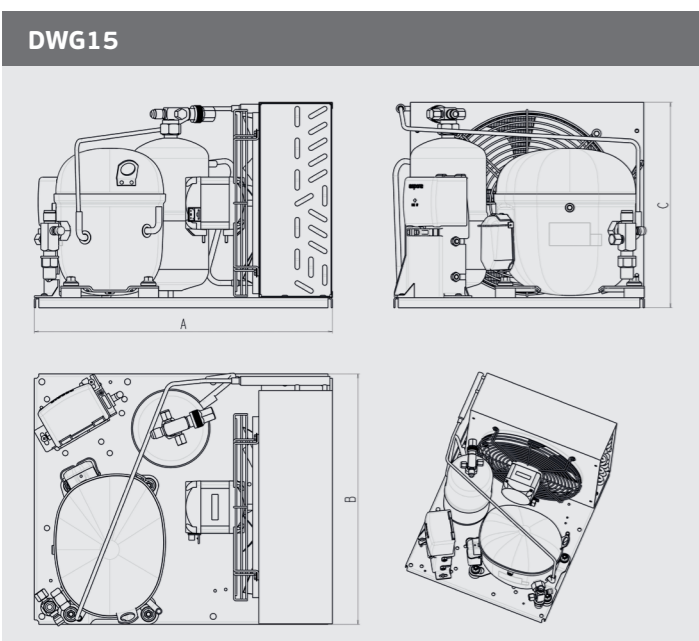
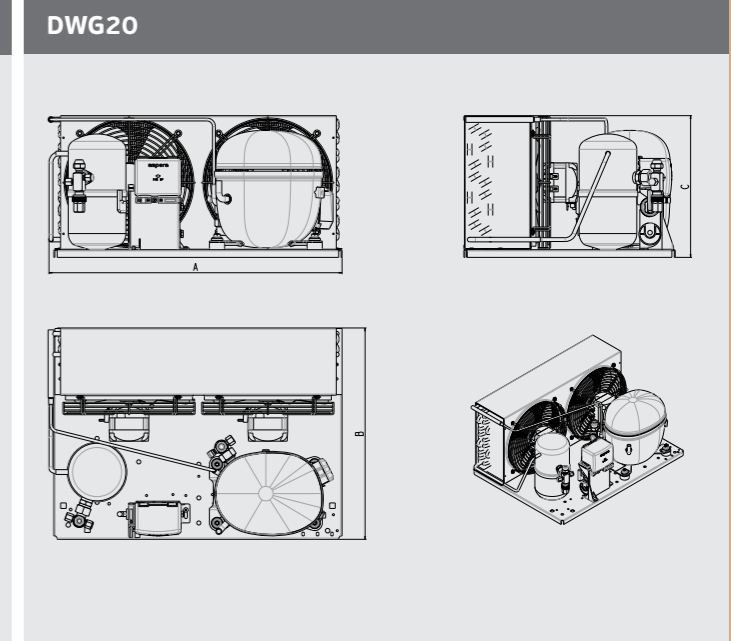
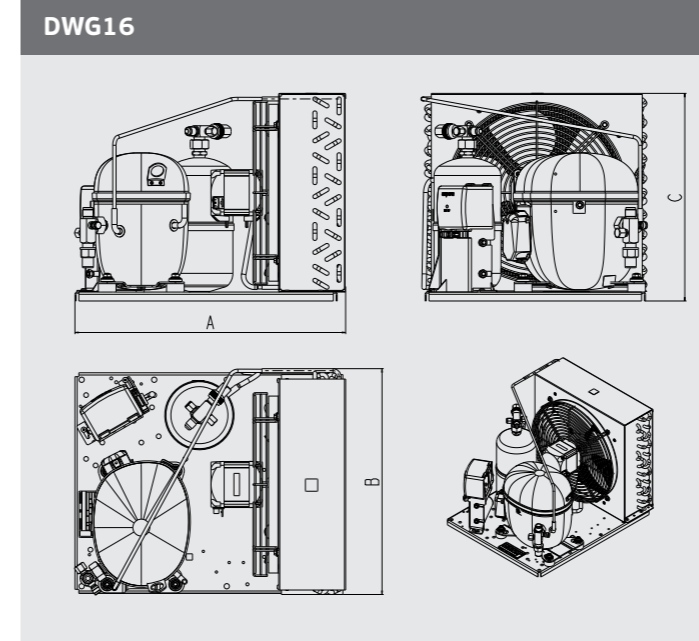
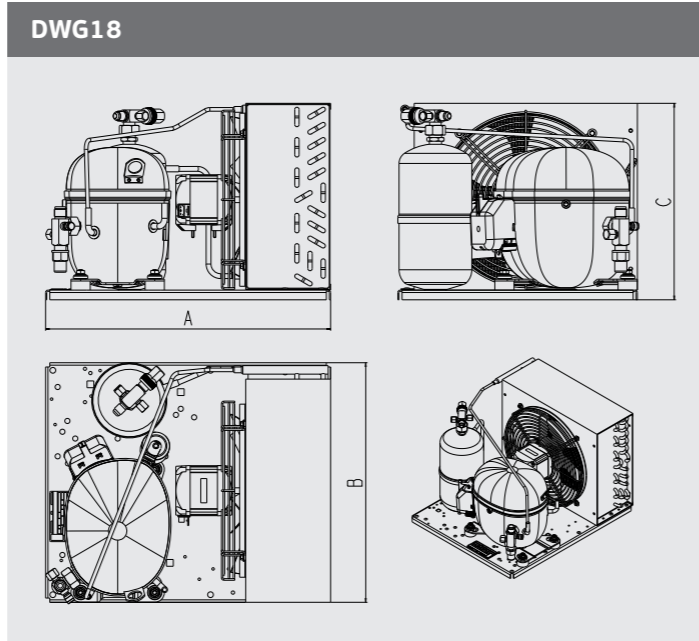
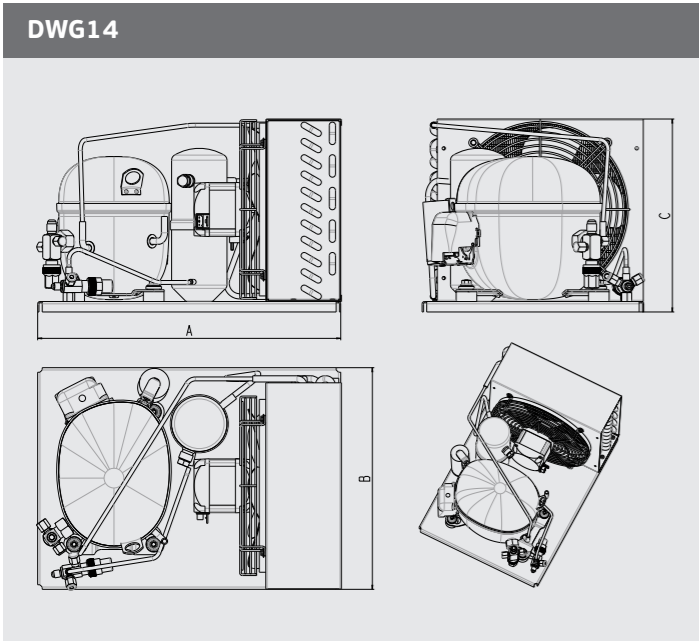


EXTERNAL VIEWS UNE/UNEK/UNEU

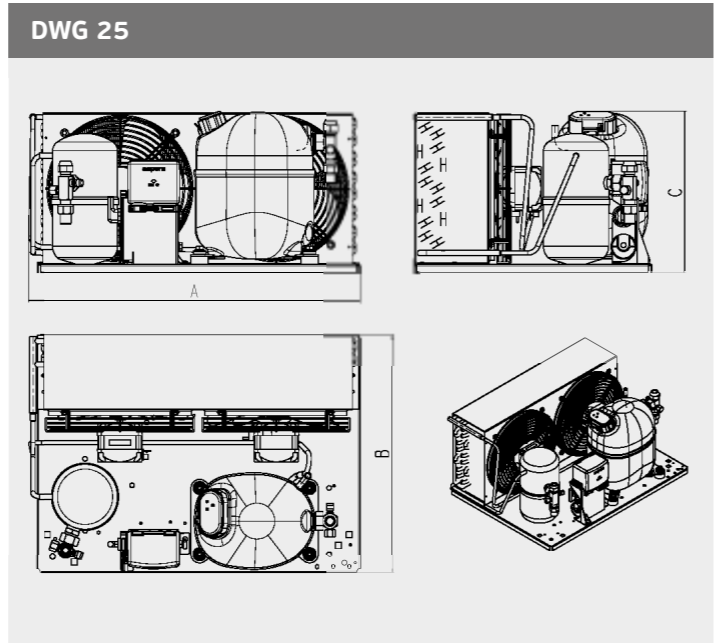
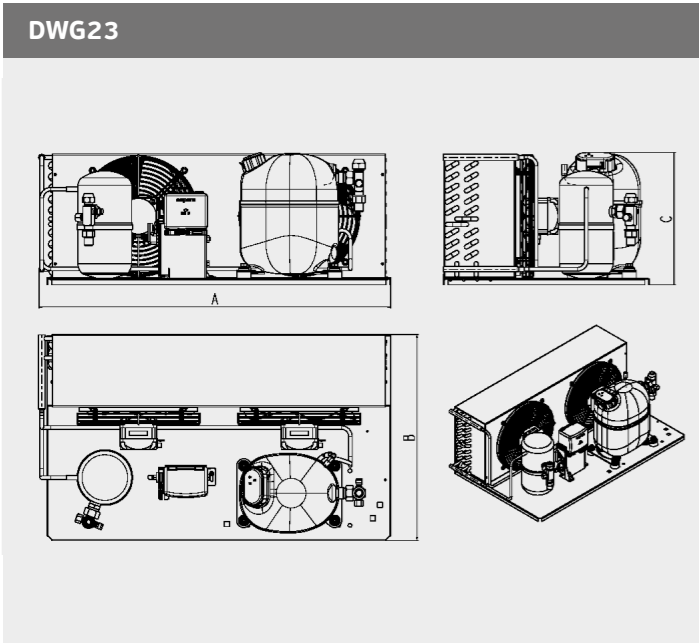
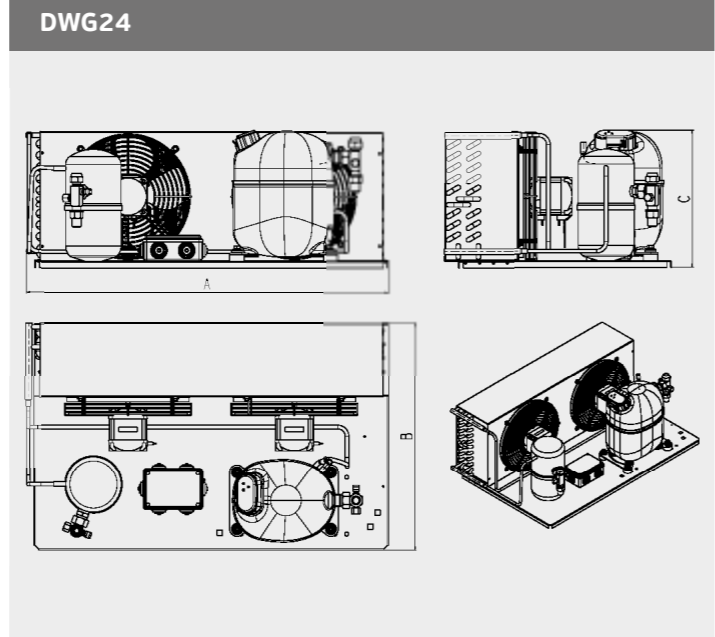
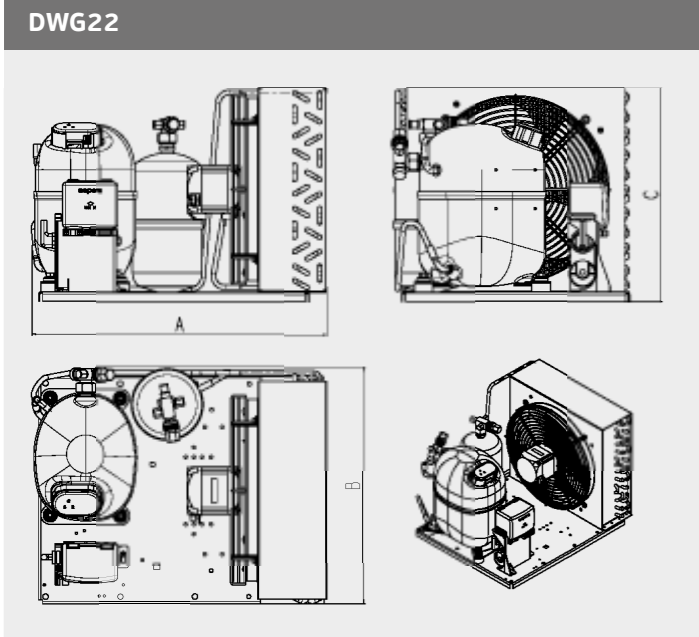
DWG13



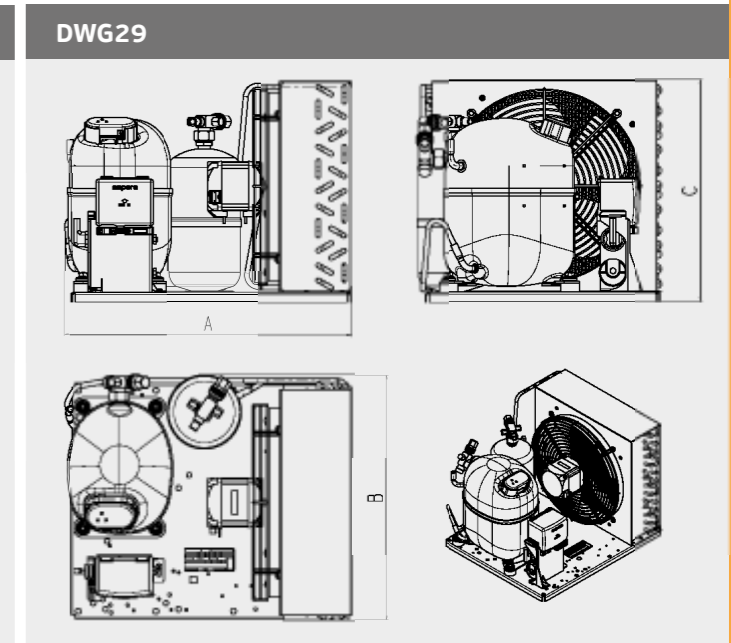
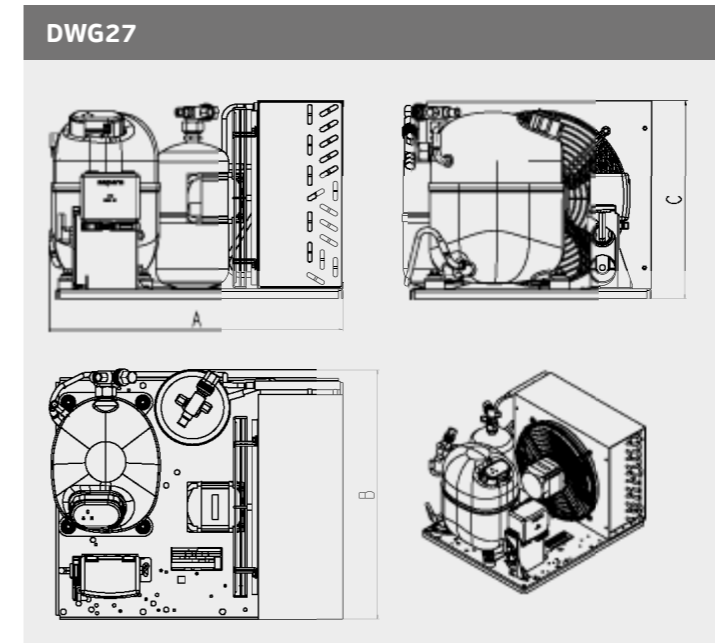
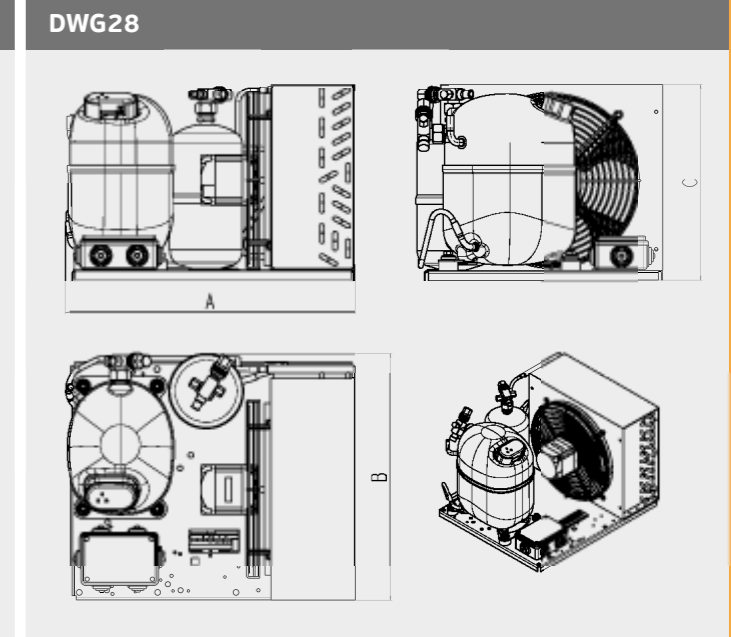
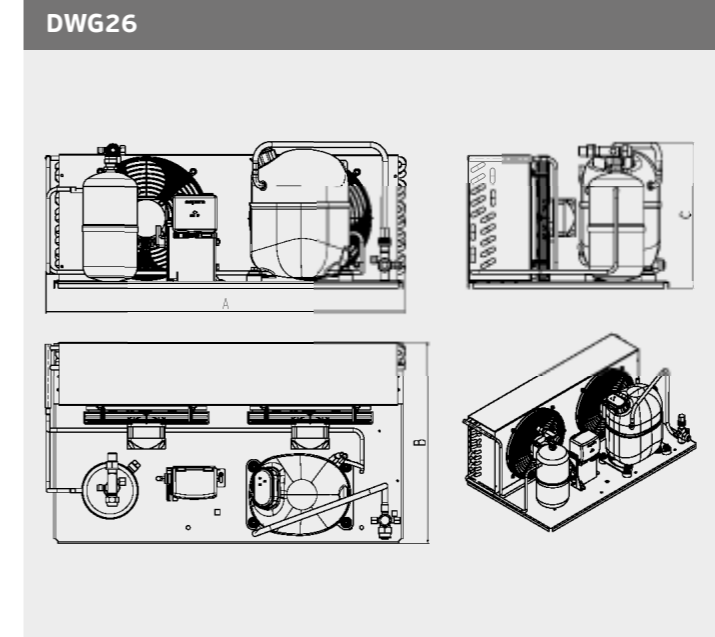
EXTERNAL VIEWS UNT



EXTERNAL VIEWS UNJ

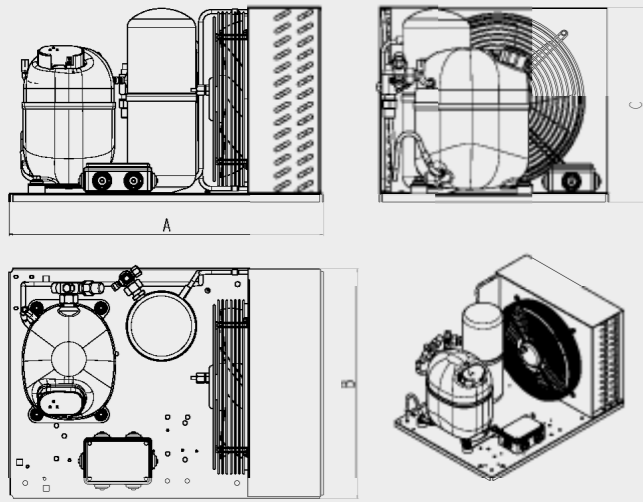


EXTERNAL VIEWS UNJ

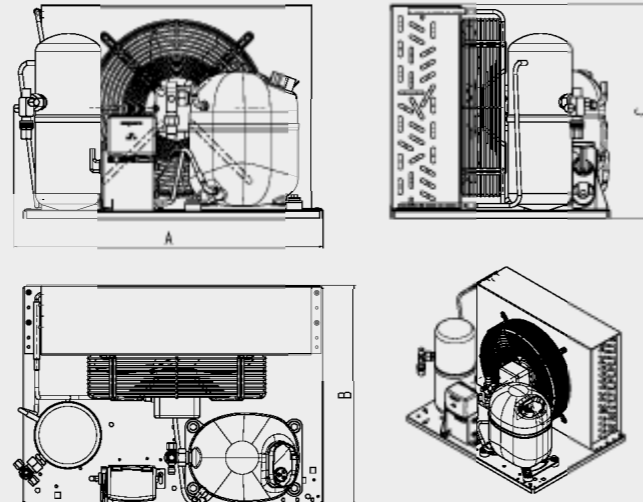


EXTERNAL VIEWS UNJ

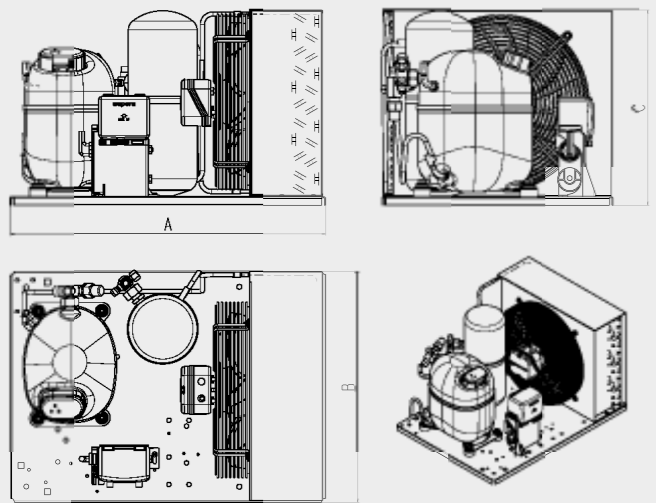
DWG30



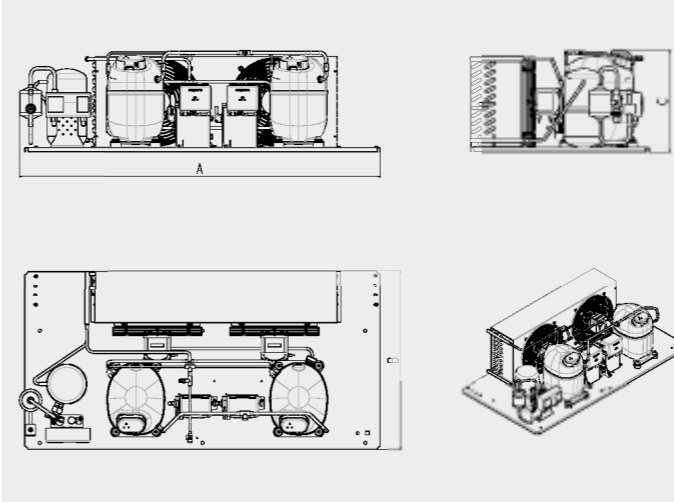
DWG32



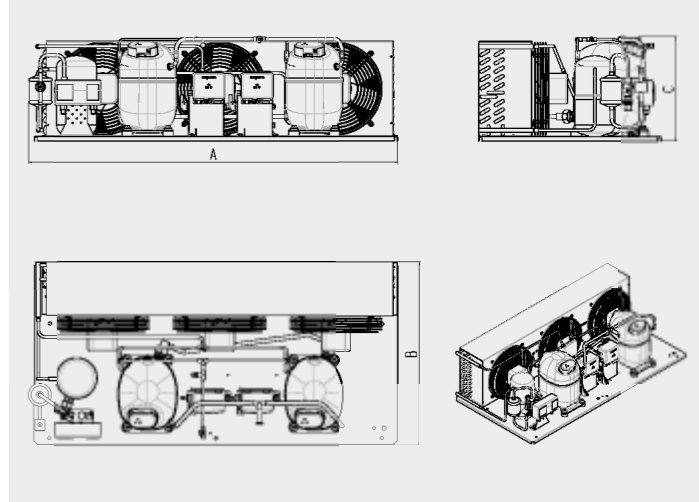
DWG31



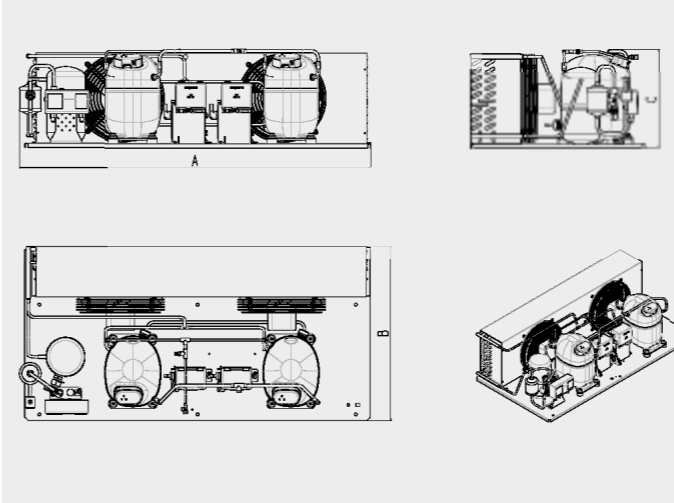
DWG33



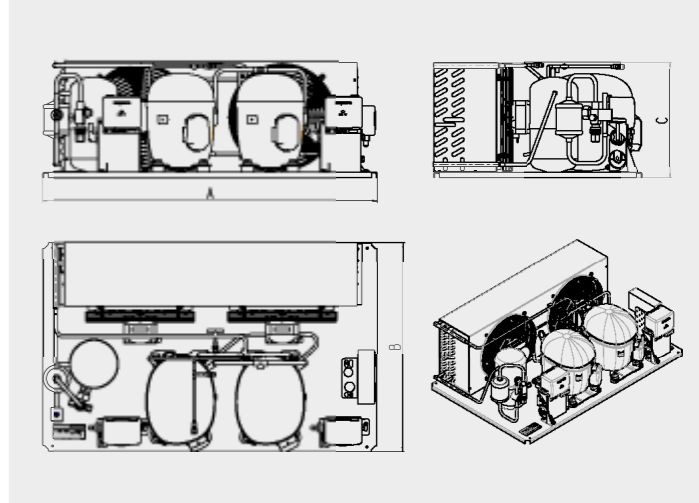
DWG35



DWG34

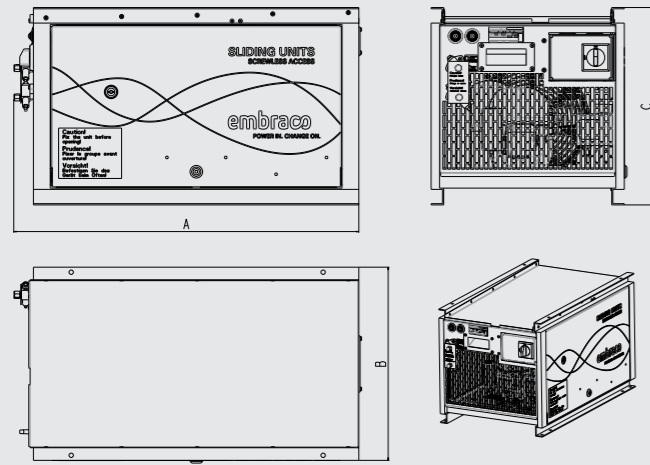


DWG36

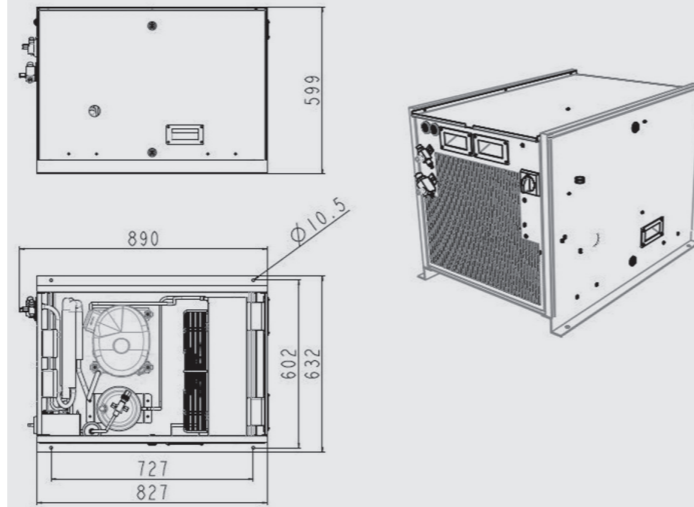


EXTERNAL VIEWS SLIDING UNIT

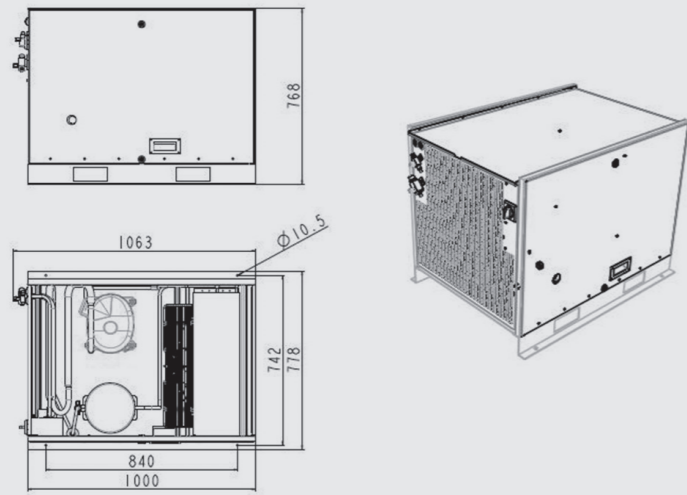
DWG37



DWG39



DWG38

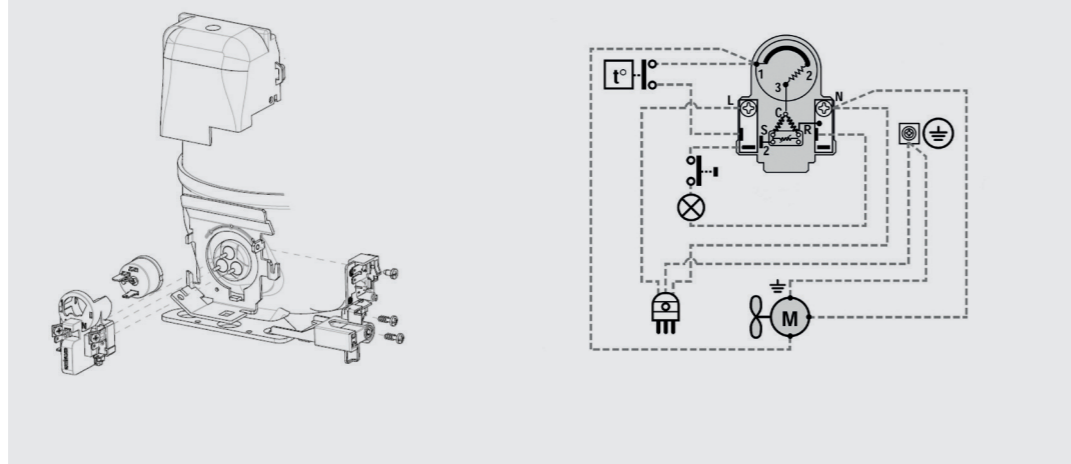


WIRING DIAGRAMS KEY

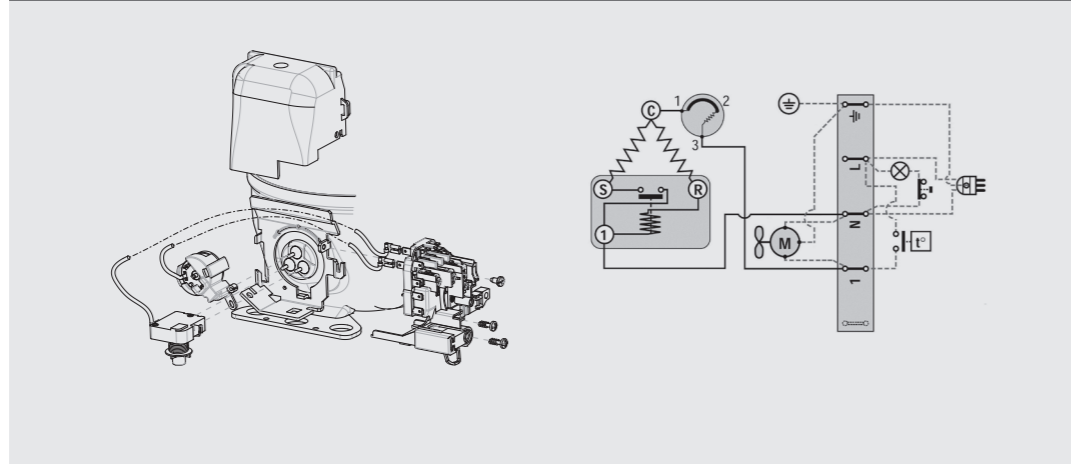
	OVERLOAD PROTECTOR		COMMON (INTERNAL OVERLOAD PROTECTOR)
	START RELAY		START
	START CAPACITOR		COMMON
	RUN CAPACITOR		RUN
	FAN MOTOR	<u>Wh</u>	WHITE CABLE
	THERMOSTAT	<u>Bk</u>	BLACK CABLE
	EARTH CONNECTION	<u>YG</u>	YELLOW-GREEN CABLE
	TERMINAL BLOCK	<u>Br</u>	BROWN CABLE
	LAMP	<u>Bl</u>	BLUE CABLE
	PUSH BUTTON	<u>Rd</u>	RED CABLE
	LOW-HIGH PRESSURE SWITCH		

WIRING DIAGRAMS

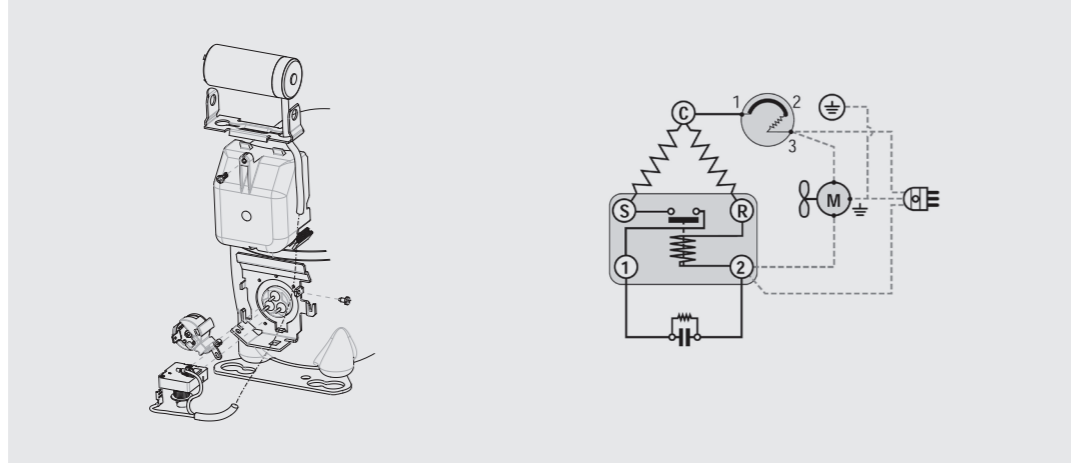
SM00 - UEMT SERIE RSIR CORD ANCHORAGE & PTC



SM03 - UNE SERIE RSIR TERMINAL BOARD

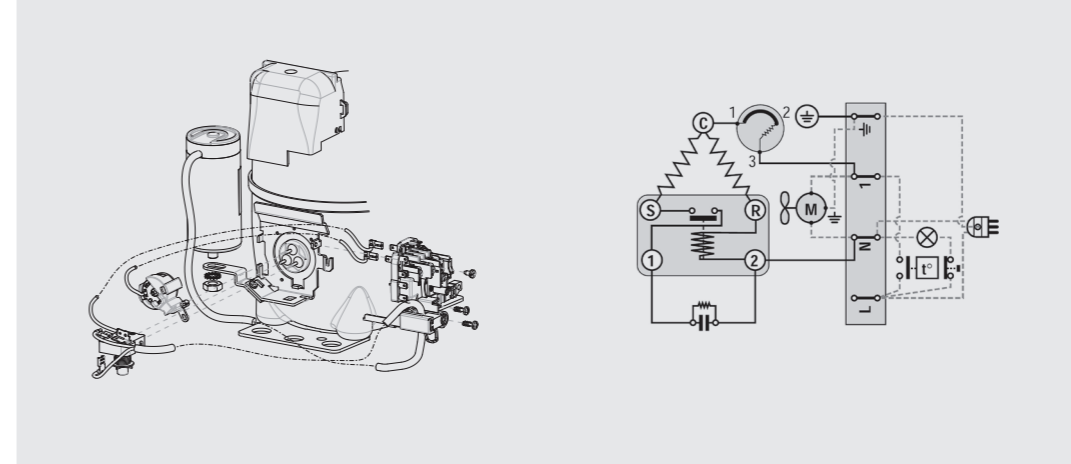


SM04 - UNE SERIE CSIR AMERICAN VERSION

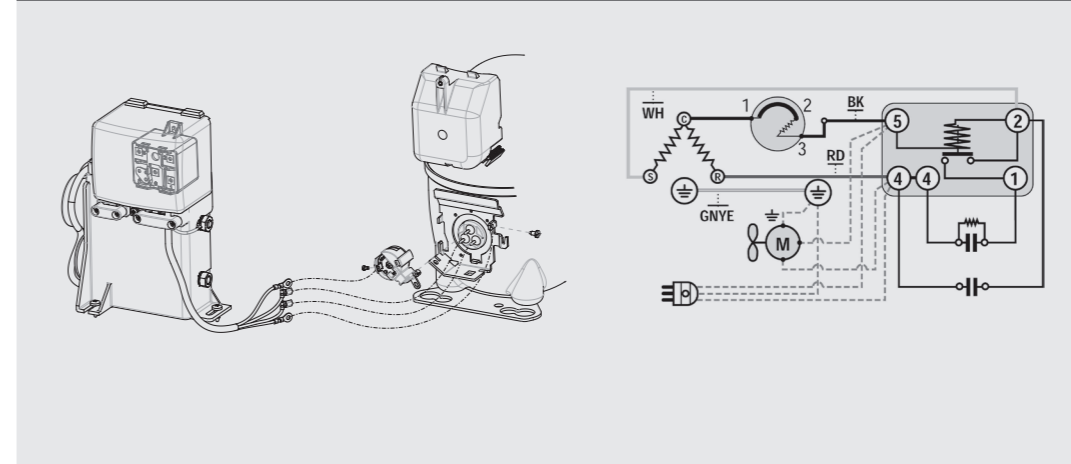


WIRING DIAGRAMS

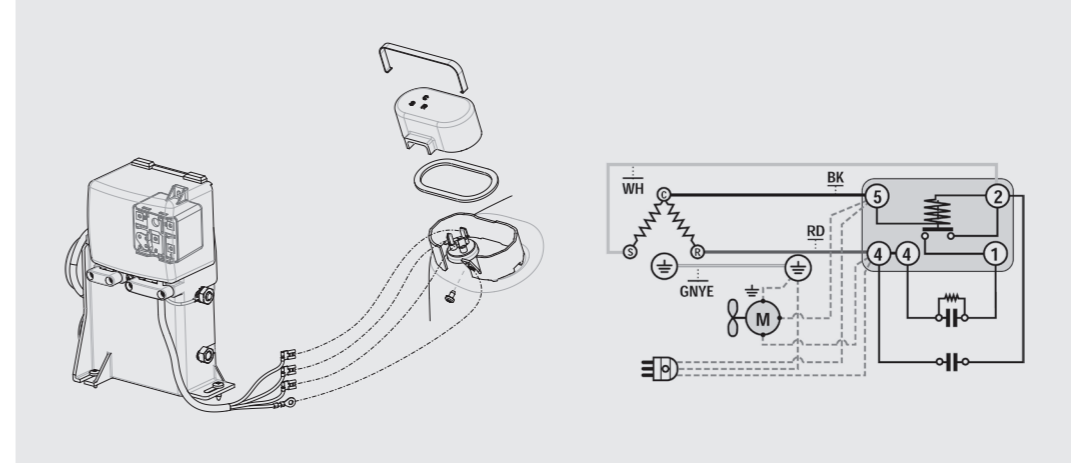
SM05 - UEMT, UNE SERIES CSIR TERMINAL BOARD



SM06 - UNE, UNT SERIES CSR BOX

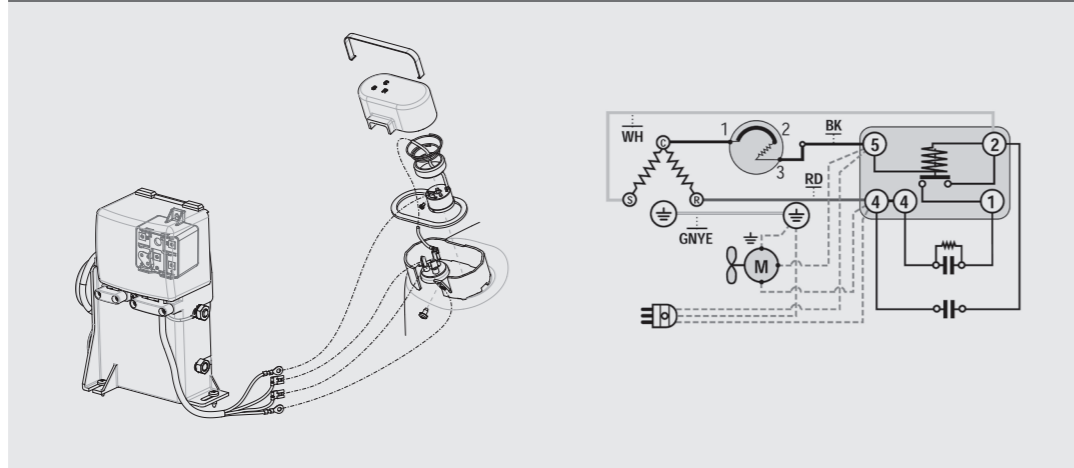


SM16 - UNJ SERIE - CSR BOX (Internal Overload Protector)

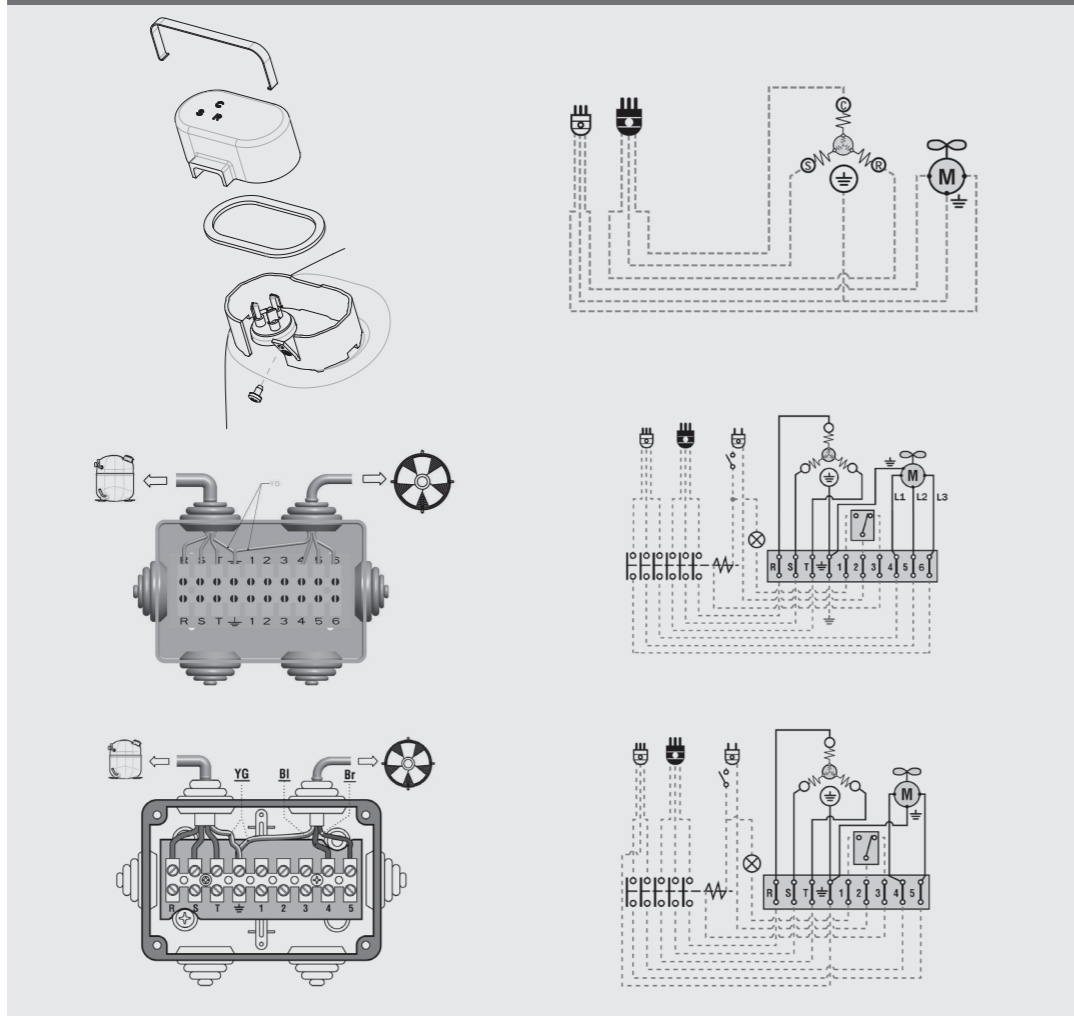


WIRING DIAGRAMS

SM017 - UNJ SERIE CSR BOX (External Overload Protector)

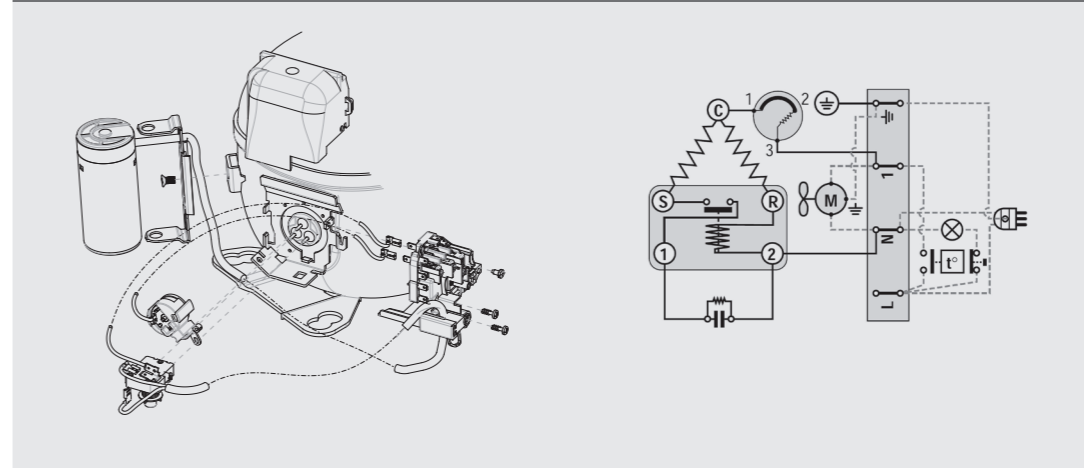


SM18 - UNJ SERIE - 3-PHASE (Internal Overload Protection)

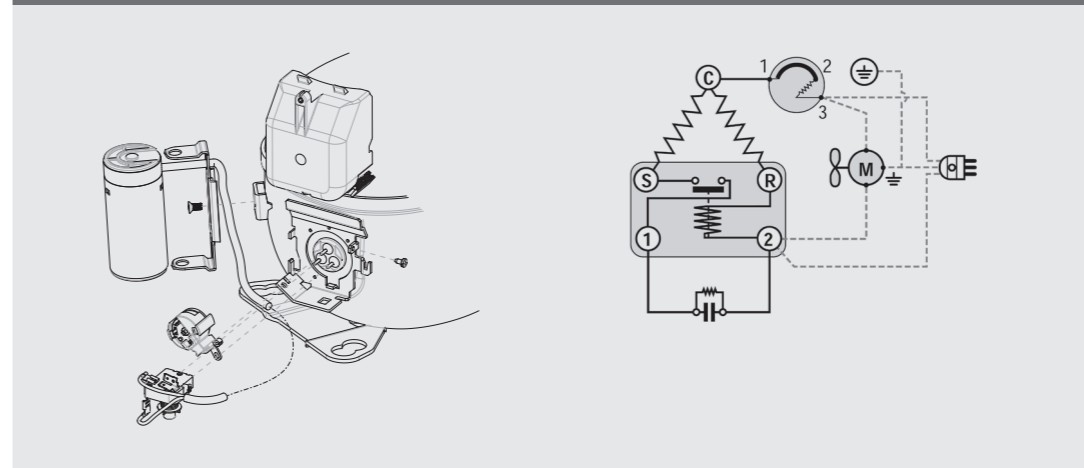


WIRING DIAGRAMS

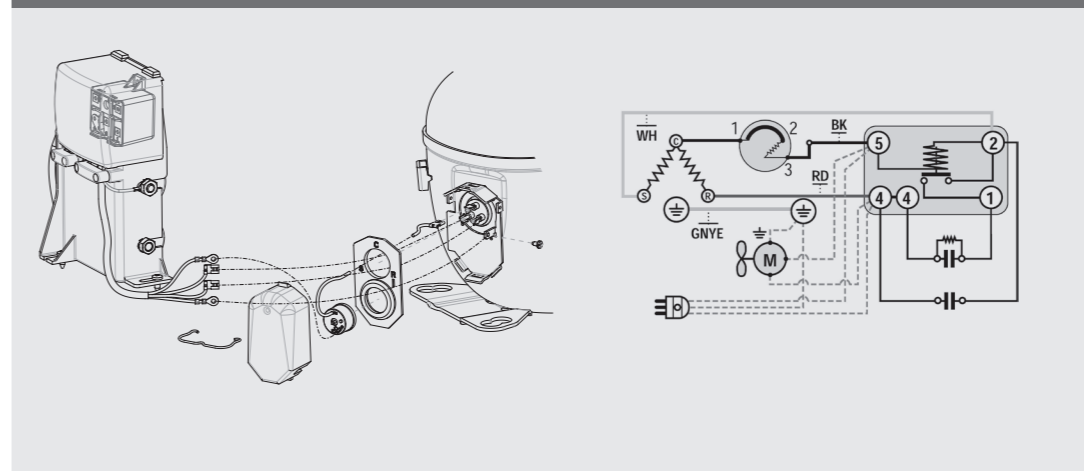
SM19 - UNT SERIE CSIR TERMINAL BOARD



SM20 - UNT SERIE CSIR AMERICAN VERSION

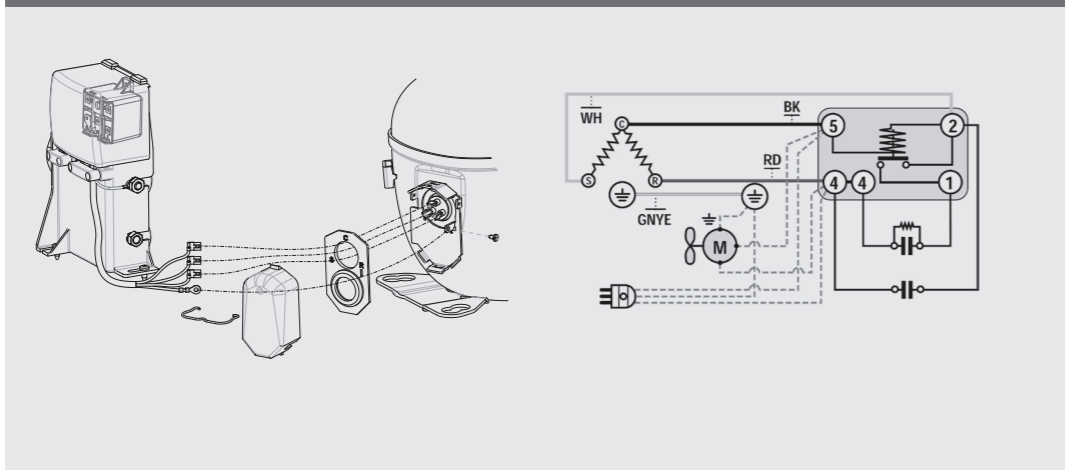


SM21 - UNT SERIE CSR BOX

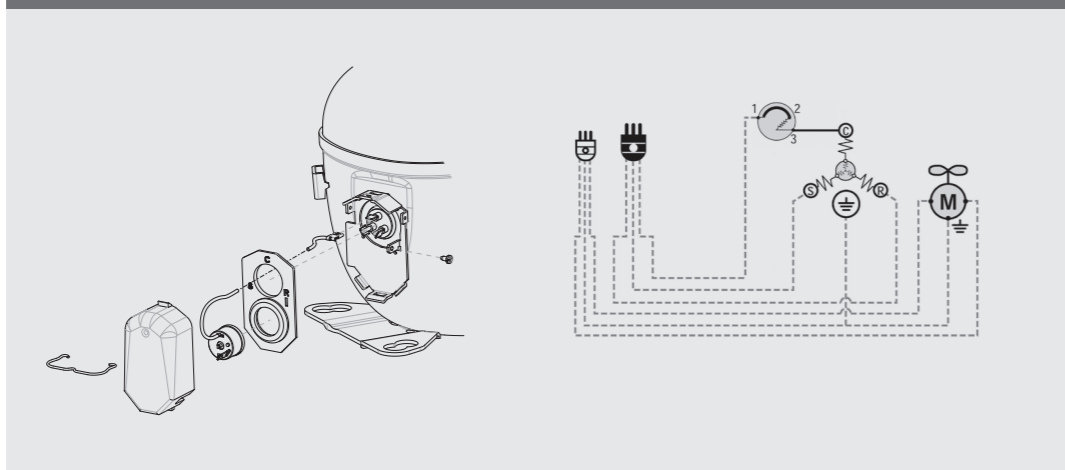


WIRING DIAGRAMS

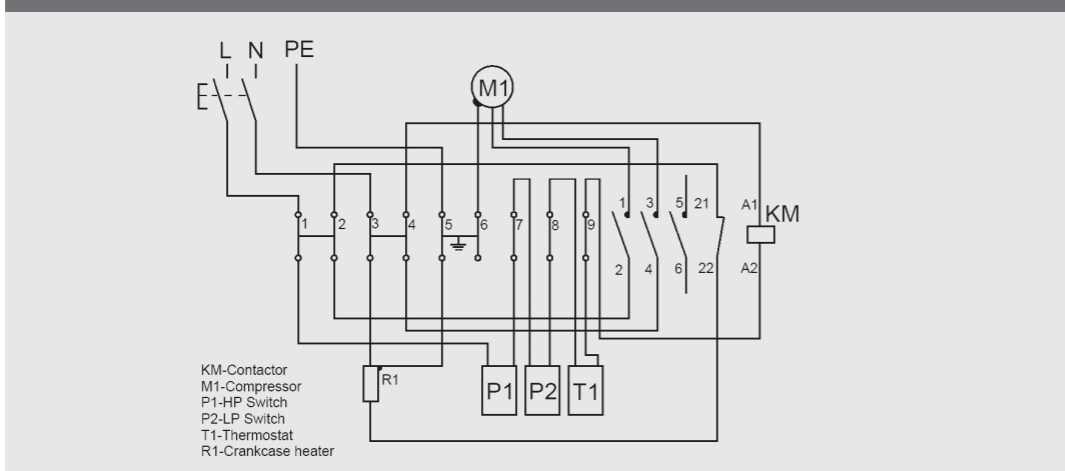
SM26 - NT SERIES CSR BOX (Internal Overload Protector)



SM27 - NT SERIES 3-PHASE (Internal + External Overload Protector)

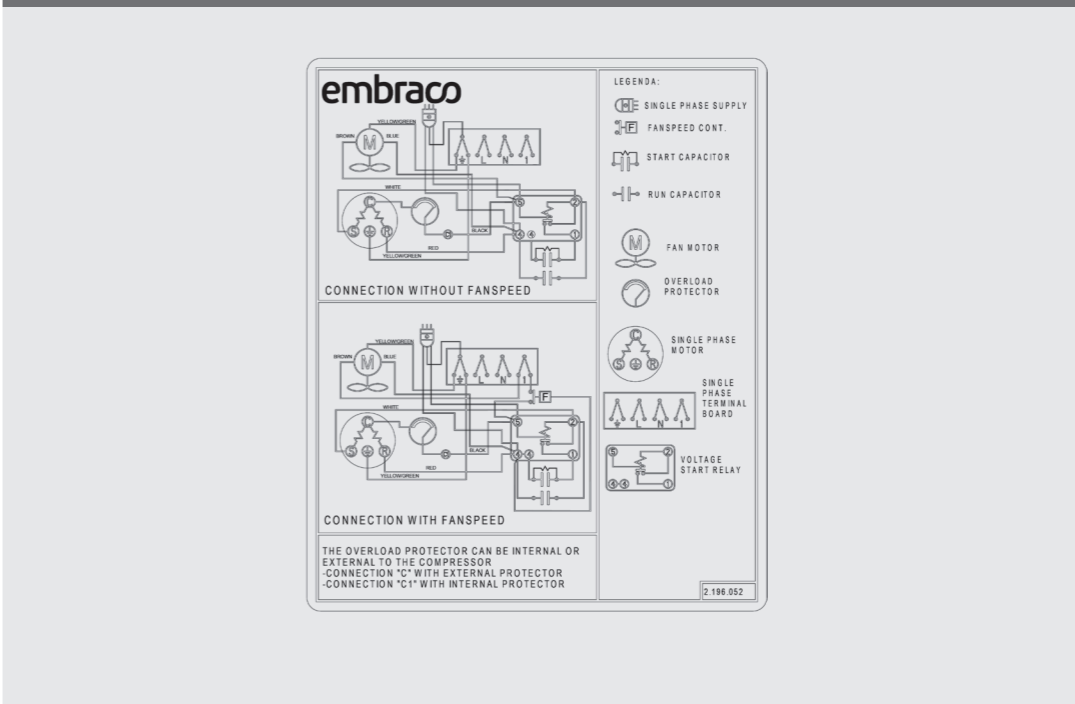


SM28 - SLIDING UNIT CONNECTION

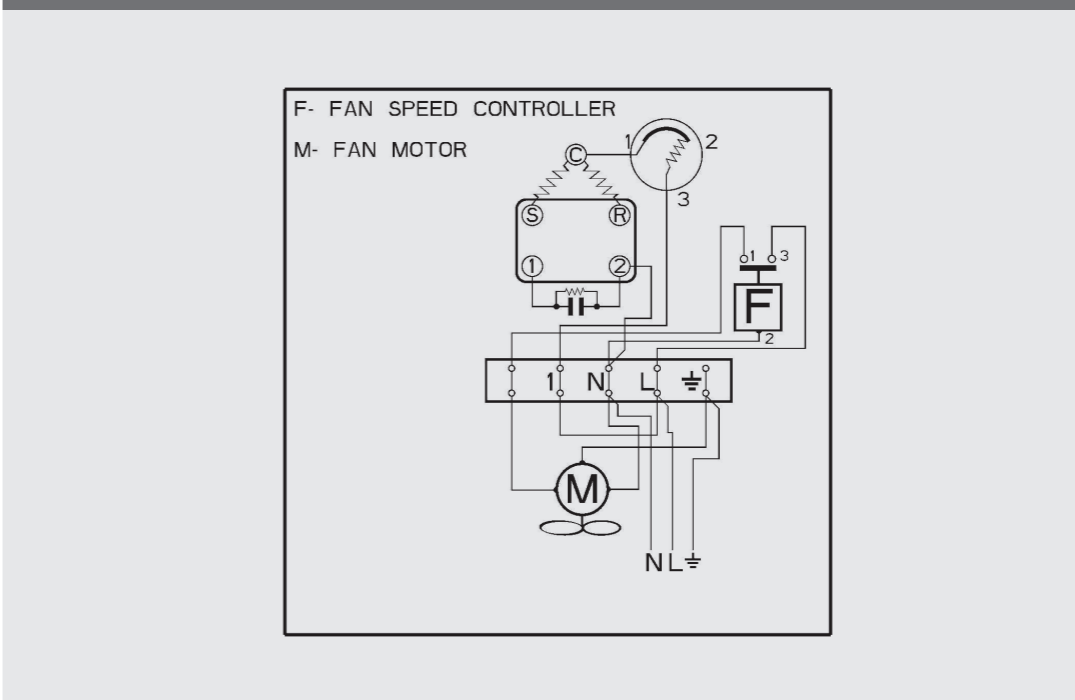


WIRING DIAGRAMS

SM29 - SLIDING UNIT CSR



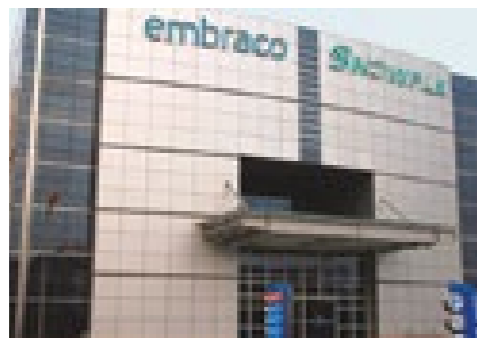
SM30 - SLIDING UNIT CSIR WITH FAN SPEED



LOCATIONS



BRAZIL
Rui Barbosa, 1020 - P.O. BOX 91
89219-901 - Joinville - SC - Brazil
Phone: +55 47 3441-2121
Fax: + 55 47 3441-2780



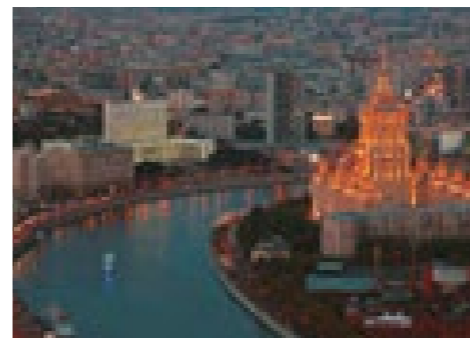
CHINA
29 Yuhua Road
Area B of Beijing Tianzhu Airport industrial Zone
101312 - Beijing - China
Phone: +86 10 8048-2255
Fax: +86 10 6725-6825



ITALY
Via Pietro Andriano, 12
10020 - Riva Presso Chieri (Torino) - Italy
P.O. BOX 151 - 10023 Chieri (TO)
Phone: +39 011 943-7111
Fax: +39 011 946-8377
+39 011 946-9950



EMBRACO MÉXICO
Avenida de las Industrias 501 PIMSA
Oriente Apodaca
Nuevo León - México
Phone: +52 81 4780-6700



RUSSIA
BC Lotos
Office 13 - 5 floor, room III
Odesskaya st., 2 - Moscow 117638 - Russia
Phone: +7 495 640-7050
Fax: +7 495 640-7060
General manager : Mr. Vladimir Demyachenko






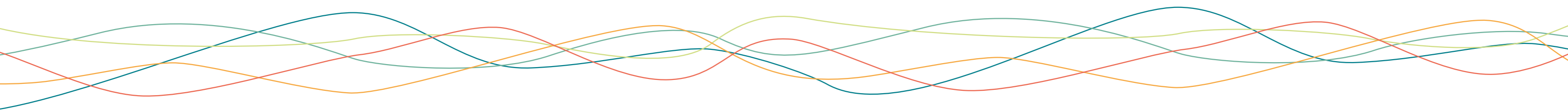
SLOVAKIA
Odorínska Cesta, 2 - 052-01
Spišská Nová Ves - Slovakia
Phone: +42 153 417-2291
+42 153 417-2293
Fax: +42 153 417-2299



U.S.A.
1610 Satellite Blvd - Suite B
Duluth, GA 30097
Phone: +1 800 548-9498
Fax: +1 877 631-9016
Tech Support: +1 678 804-1374

embraco POWER IN.
CHANGE ON.

aspera  **Embraco**  **Embraco**  are registered trademarks owned by Whirlpool SA - Embraco Compressors Business Unit and they will continue to be exploited for the Compressors marketing and sale with or without the new trademark EMBRACO.





GLOBAL PRESENCE

CONTACT US:
marketing.europe@embraco.com

SALES OFFICE:
Via Pietro Andriano, 12
10020 – Riva presso Chieri (TO) - Italy