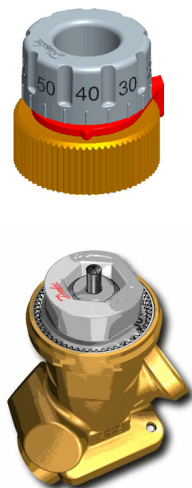


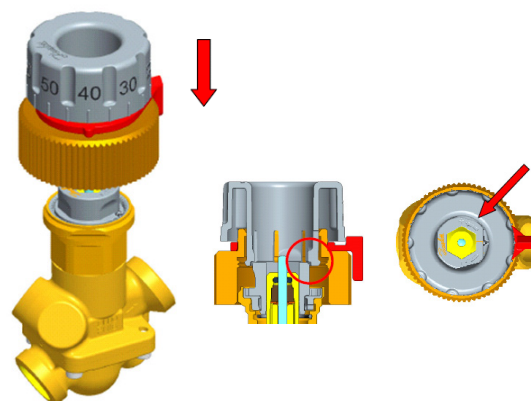
## Installation Guide

### AB-QM (DN 10-32) Setting tool



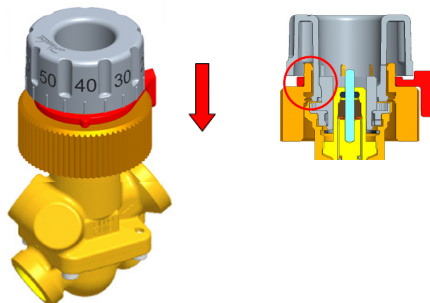
**Setting procedure:**

**Step 1a. Positioning of pre-setting tool**



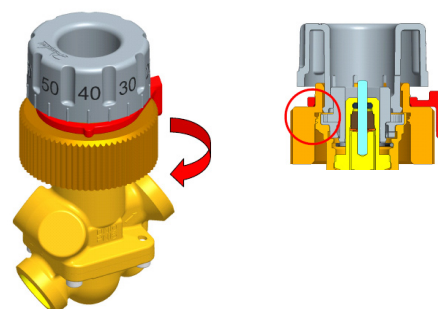
**Setting procedure:**

**Step 1b. Positioning of pre-setting tool**



**Setting procedure:**

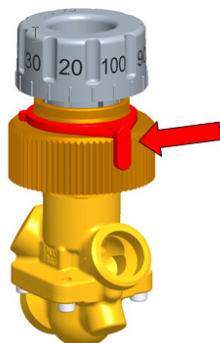
**Step 2. Mounting of lower part (1/2 turn)**



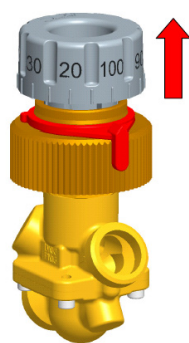
**Setting procedure:**

**Step 3a. Pre-setting (factory setting is 100%)**

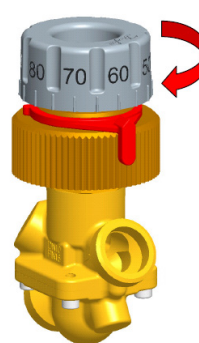
Position of indicator ring



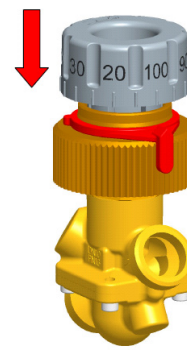
Button up



Button rotating of desired setting



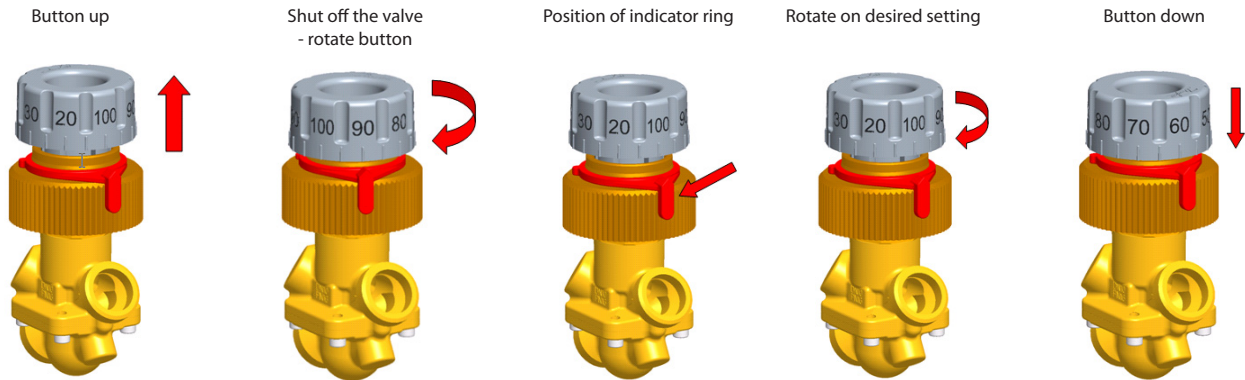
Button down



# Installation Guide AB-QM (DN 10-32) Setting tool

## Setting procedure:

**Step 3b.** Pre-setting (factory setting is 100%)



## Setting procedure:

**Step 4.** Demounting the tool

